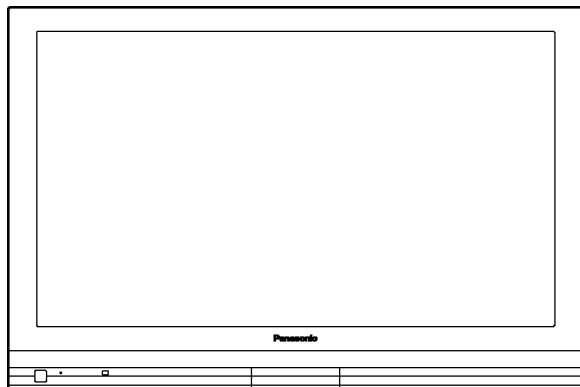


Service Manual

High Definition Plasma Television

TH-42PX75U

GP10DHU Chassis



Specifications

Power Source	AC 120 V, 60 Hz	
Power Consumption		
Maximum	387 W	
Standby condition	0.2 W	
Plasma Display panel		
Drive method	AC type	
Aspect Ratio	16 : 9	
Contrast Ratio	(max) 10000 : 1	
Visible screen size	106 cm	
(W × H × Diagonal)	36.3 " × 20.4 " × 41.6 " (920 mm × 518 mm × 1,056 mm)	
(No. of pixels)	786,432 (1,024 (W) × 768 (H)) [3,072 × 768 dots]	
Sound		
Audio Output	20 W [10 W + 10 W] (10 % THD)	
Channel Capability (Digital/Analog)	VHF/UHF: 2 - 69, CATV: 1 - 135	
Operating Conditions	Temperature: 32 °F - 104 °F (0 °C - 40 °C)	
	Humidity: 20 % - 80 % RH (non-condensing)	
Connection Terminals		
INPUT 1-2	VIDEO:	RCA PIN Type × 1 1.0 V [p-p] (75 ohm)
	S-VIDEO:	Mini DIN 4-pin Y: 1.0 V [p-p] (75 ohm) C: 0.286 V [p-p] (75 ohm)
	AUDIO L-R:	RCA PIN Type × 2 0.5 V [rms]
COMPONENT VIDEO INPUT 1-2	Y:	1.0 V [p-p] (including synchronization)
	P _B , P _R :	± 0.35 V [p-p]
	AUDIO L-R:	RCA PIN Type × 2 0.5 V [rms]
HDMI 1-2 AUDIO IN	TYPE A Connector × 2	
	AUDIO L-R:	RCA PIN Type × 2 0.5 V [rms]
Card slot	SD CARD slot × 1	
AV PROG. OUT	VIDEO:	RCA PIN Type × 1 1.0 V [p-p] (75 ohm)
	AUDIO L-R:	RCA PIN Type × 2 0.5 V [rms]

DIGITAL AUDIO OUT	PCM/Dolby Digital, Fiber Optic
FEATURES	3D Y/C FILTER
	CLOSED CAPTION
	Photo Viewer
	V-Chip
	HDAVI Control 2
Dimensions (W × H × D)	
Including pedestal	40.2 " × 28.6 " × 13.0 " (1,020 mm × 725 mm × 330 mm)
TV Set only	40.2 " × 26.8 " × 3.8 " (1,020 mm × 680 mm × 97 mm)
Weight	
Including pedestal	75.0 lb. (34 kg)
TV Set only	59.6 lb. (27 kg)

Note:

- Design and Specifications are subject to change without notice. Weight and Dimensions shown are approximate.

WARNING

This service information is designed for experienced repair technicians only and is not designed for use by the general public. It does not contain warnings or cautions to advise non-technical individuals of potential dangers in attempting to service a product. Products powered by electricity should be serviced or repaired only by experienced professional technicians. Any attempt to service or repair the product or products dealt with in this service information by anyone else could result in serious injury or death.

CONTENTS

	Page		Page
1 Applicable signals	4	8.1. Lead of Wiring (1)	16
2 Safety Precautions	5	8.2. Lead of Wiring (2)	17
2.1. General Guidelines	5	8.3. Lead of Wiring (3)	18
3 Prevention of Electro Static Discharge (ESD) to Electrostatically Sensitive (ES) Devices	6	8.4. Lead of Wiring (4)	19
4 About lead free solder (PbF)	7	8.5. Lead of Wiring (5)	20
5 Service Hint	8	9 Self-check Function	21
6 Plasma panel replacement method	9	9.1. Check of the IIC bus lines	21
6.1. Remove the rear cover	9	9.2. Power LED Blinking timing chart	22
6.2. Remove the rear terminal cover	9	9.3. No Power	23
6.3. Remove the P-Board	9	9.4. No Picture	24
6.4. Remove the Tuner unit	9	9.5. Local screen failure	25
6.5. Remove the A-Board	9	10 Service Mode	26
6.6. Remove the D-Board	10	10.1. How to enter into Service Mode	26
6.7. Remove the SU-Board	10	10.2. Service tool mode	28
6.8. Remove the SD-Board	10	11 Adjustment Procedure	29
6.9. Remove the SC-Board	10	11.1. Driver Set-up	29
6.10. Remove the SS-Board	11	11.2. Initialization Pulse Adjust	30
6.11. Remove the C1-Board	11	11.3. P.C.B. (Printed Circuit Board) exchange	30
6.12. Remove the C2-Board	11	11.4. Adjustment Volume Location	31
6.13. Remove the front bracket and the front shield case cover	11	11.5. Test Point Location	31
.....	11	12 Adjustment	32
6.14. Remove the GS-Board	11	12.1. White balance adjustment	32
6.15. Remove the speaker L, R	12	13 Hotel mode	34
6.16. Remove the stand brackets	12	14 Conductor Views	35
6.17. Remove the S-Board	12	14.1. P-Board	35
6.18. Remove the K-Board	12	14.2. GS, K and S-Board	38
6.19. Remove the Plasma panel section from the Cabinet assy (glass)	13	14.3. A-Board	39
6.20. Replace the plasma panel (finished)	14	14.4. D-Board	42
7 Caution statement	15	14.5. C1-Board	44
7.1. Caution statement.	15	14.6. C2-Board	45
8 Location of Lead Wiring	16	14.7. SC-Board	46
		14.8. SU-Board	49
		14.9. SD-Board	50

14.10. SS-Board	51	15.29. D-Board (1 of 6) Schematic Diagram	81
15 Schematic and Block Diagram	53	15.30. D-Board (2 of 6) Schematic Diagram	82
15.1. Schematic Diagram Note	53	15.31. D-Board (3 of 6) Schematic Diagram	83
15.2. Main Block Diagram	54	15.32. D-Board (4 of 6) Schematic Diagram	84
15.3. P-Board Block Diagram	55	15.33. D-Board (5 of 6) Schematic Diagram	85
15.4. P-Board (1 of 6) Schematic Diagram	56	15.34. D-Board (6 of 6) Schematic Diagram	86
15.5. P-Board (2 of 6) Schematic Diagram	57	15.35. C1 and C2-Board Block Diagram	87
15.6. P-Board (3 of 6) Schematic Diagram	58	15.36. C1-Board (1 of 2) Schematic Diagram	88
15.7. P-Board (4 of 6) Schematic Diagram	59	15.37. C1-Board (2 of 2) Schematic Diagram	89
15.8. P-Board (5 of 6) Schematic Diagram	60	15.38. C2-Board (1 of 2) Schematic Diagram	90
15.9. P-Board (6 of 6) Schematic Diagram	61	15.39. C2-Board (2 of 2) Schematic Diagram	91
15.10. GS, K and S-Board Block and Schematic Diagram	62	15.40. SC, SU and SD-Board Block Diagram	92
15.11. A-Board (1 of 5) Block Diagram	63	15.41. SC-Board (1 of 2) Schematic Diagram	93
15.12. A-Board (2 of 5) Block Diagram	64	15.42. SC-Board (2 of 2) Schematic Diagram	94
15.13. A-Board (3 of 5) Block Diagram	65	15.43. SU-Board (1 of 2) Schematic Diagram	95
15.14. A-Board (4 of 5) Block Diagram	66	15.44. SU-Board (2 of 2) Schematic Diagram	96
15.15. A-Board (5 of 5) Block Diagram	67	15.45. SD-Board (1 of 2) Schematic Diagram	97
15.16. A-Board (1 of 12) Schematic Diagram	68	15.46. SD-Board (2 of 2) Schematic Diagram	98
15.17. A-Board (2 of 12) Schematic Diagram	69	15.47. SS-Board Block Diagram	99
15.18. A-Board (3 of 12) Schematic Diagram	70	15.48. SS-Board (1 of 2) Schematic Diagram	100
15.19. A-Board (4 of 12) Schematic Diagram	71	15.49. SS-Board (2 of 2) Schematic Diagram	101
15.20. A-Board (5 of 12) Schematic Diagram	72	16 Exploded Views & Replacement Parts List	103
15.21. A-Board (6 of 12) Schematic Diagram	73	16.1. Exploded Views	103
15.22. A-Board (7 of 12) Schematic Diagram	74	16.2. Packing Exploded Views (Accessories box)	104
15.23. A-Board (8 of 12) Schematic Diagram	75	16.3. Packing Exploded Views (Stand)	105
15.24. A-Board (9 of 12) Schematic Diagram	76	16.4. Replacement Parts List Notes	106
15.25. A-Board (10 of 12) Schematic Diagram	77	16.5. Mechanical Replacement Parts List (PDP TV)	107
15.26. A-Board (11 of 12) Schematic Diagram	78	16.6. Mechanical Replacement Parts List (Stand)	108
15.27. A-Board (12 of 12) Schematic Diagram	79	16.7. Electrical Replacement Parts List	109
15.28. D-Board Block Diagram	80		

1 Applicable signals

* Mark: Applicable input signal for Component (Y, P_B, P_R), HDMI

	horizontal frequency (kHz)	vertical frequency (Hz)	COMPONENT	HDMI
525 (480) / 60i	15.73	59.94	*	*
525 (480) /60p	31.47	59.94	*	*
750 (720) /60p	45.00	59.94	*	*
1,125 (1,080) /60i	33.75	59.94	*	*
1,125 (1,080) /60p	67.43	59.94		*
1,125 (1,080) /60p	67.50	60.00		*

Note

- Signals other than those shown above may not be displayed properly.
- The above signals are reformatted for optimal viewing on your display.

2 Safety Precautions

2.1. General Guidelines

1. When servicing, observe the original lead dress. If a short circuit is found, replace all parts which have been overheated or damaged by the short circuit.
2. After servicing, see to it that all the protective devices such as insulation barriers, insulation papers shields are properly installed.
3. After servicing, make the following leakage current checks to prevent the customer from being exposed to shock hazards.

2.1.1. Leakage Current Cold Check

1. Unplug the AC cord and connect a jumper between the two prongs on the plug.
2. Measure the resistance value, with an ohmmeter, between the jumpered AC plug and each exposed metallic cabinet part on the equipment such as screwheads, connectors, control shafts, etc. When the exposed metallic part has a return path to the chassis, the reading should be between 1Mohm and 5.2Mohm.

When the exposed metal does not have a return path to the chassis, the reading must be ∞ .

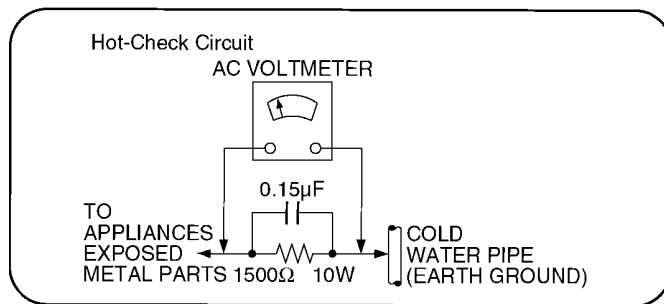


Figure 1

2.1.2. Leakage Current Hot Check (See Figure 1.)

1. Plug the AC cord directly into the AC outlet. Do not use an isolation transformer for this check.
2. Connect a 1.5kohm, 10 watts resistor, in parallel with a 0.15µF capacitors, between each exposed metallic part on the set and a good earth ground such as a water pipe, as shown in Figure 1.
3. Use an AC voltmeter, with 1000 ohms/volt or more sensitivity, to measure the potential across the resistor.
4. Check each exposed metallic part, and measure the voltage at each point.
5. Reverse the AC plug in the AC outlet and repeat each of the above measurements.
6. The potential at any point should not exceed 0.75 volts RMS. A leakage current tester (Simpson Model 229 or equivalent) may be used to make the hot checks, leakage current must not exceed 1/2 milliamp. In case a measurement is outside of the limits specified, there is a possibility of a shock hazard, and the equipment should be repaired and rechecked before it is returned to the customer.

3 Prevention of Electro Static Discharge (ESD) to Electrostatically Sensitive (ES) Devices

Some semiconductor (solid state) devices can be damaged easily by static electricity. Such components commonly are called Electrostatically Sensitive (ES) Devices. Examples of typical ES devices are integrated circuits and some field-effect transistors and semiconductor "chip" components. The following techniques should be used to help reduce the incidence of component damage caused by electro static discharge (ESD).

1. Immediately before handling any semiconductor component or semiconductor-equipped assembly, drain off any ESD on your body by touching a known earth ground. Alternatively, obtain and wear a commercially available discharging ESD wrist strap, which should be removed for potential shock reasons prior to applying power to the unit under test.
2. After removing an electrical assembly equipped with ES devices, place the assembly on a conductive surface such as aluminum foil, to prevent electrostatic charge buildup or exposure of the assembly.
3. Use only a grounded-tip soldering iron to solder or unsolder ES devices.
4. Use only an anti-static solder removal device. Some solder removal devices not classified as "anti-static (ESD protected)" can generate electrical charge sufficient to damage ES devices.
5. Do not use freon-propelled chemicals. These can generate electrical charges sufficient to damage ES devices.
6. Do not remove a replacement ES device from its protective package until immediately before you are ready to install it. (Most replacement ES devices are packaged with leads electrically shorted together by conductive foam, aluminum foil or comparable conductive material).
7. Immediately before removing the protective material from the leads of a replacement ES device, touch the protective material to the chassis or circuit assembly into which the device will be installed.

Caution

Be sure no power is applied to the chassis or circuit, and observe all other safety precautions.

8. Minimize bodily motions when handling unpackaged replacement ES devices. (Otherwise ham less motion such as the brushing together of your clothes fabric or the lifting of your foot from a carpeted floor can generate static electricity (ESD) sufficient to damage an ES device).

IMPORTANT SAFETY NOTICE

There are special components used in this equipment which are important for safety. These parts are marked by Δ in the schematic diagrams, Exploded Views and replacement parts list. It is essential that these critical parts should be replaced with manufacturer's specified parts to prevent shock, fire, or other hazards. Do not modify the original design without permission of manufacturer.

4 About lead free solder (PbF)

Note: Lead is listed as (Pb) in the periodic table of elements.

In the information below, Pb will refer to Lead solder, and PbF will refer to Lead Free Solder.

The Lead Free Solder used in our manufacturing process and discussed below is (Sn+Ag+Cu).

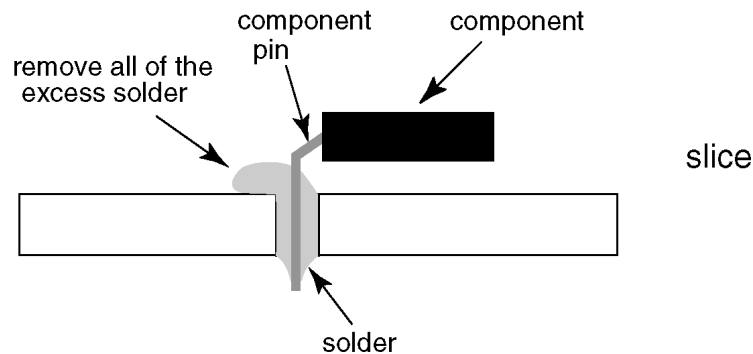
That is Tin (Sn), Silver (Ag) and Copper (Cu) although other types are available.

This model uses Pb Free solder in it's manufacture due to environmental conservation issues. For service and repair work, we'd suggest the use of Pb free solder as well, although Pb solder may be used.

PCBs manufactured using lead free solder will have the PbF within a leaf Symbol **PbF** stamped on the back of PCB.

Caution

- Pb free solder has a higher melting point than standard solder. Typically the melting point is 50 ~ 70 °F (30~40 °C) higher. Please use a high temperature soldering iron and set it to 700 ± 20 °F (370 ± 10 °C).
- Pb free solder will tend to splash when heated too high (about 1100 °F or 600 °C).
If you must use Pb solder, please completely remove all of the Pb free solder on the pins or solder area before applying Pb solder. If this is not practical, be sure to heat the Pb free solder until it melts, before applying Pb solder.
- After applying PbF solder to double layered boards, please check the component side for excess solder which may flow onto the opposite side. (see figure below)



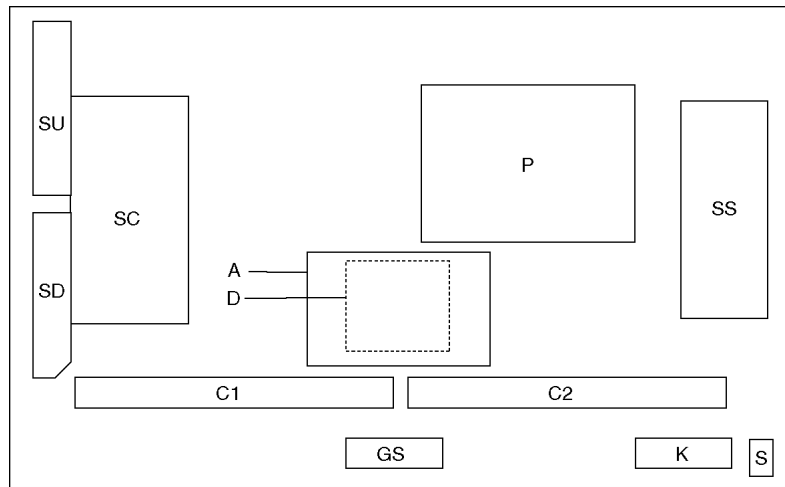
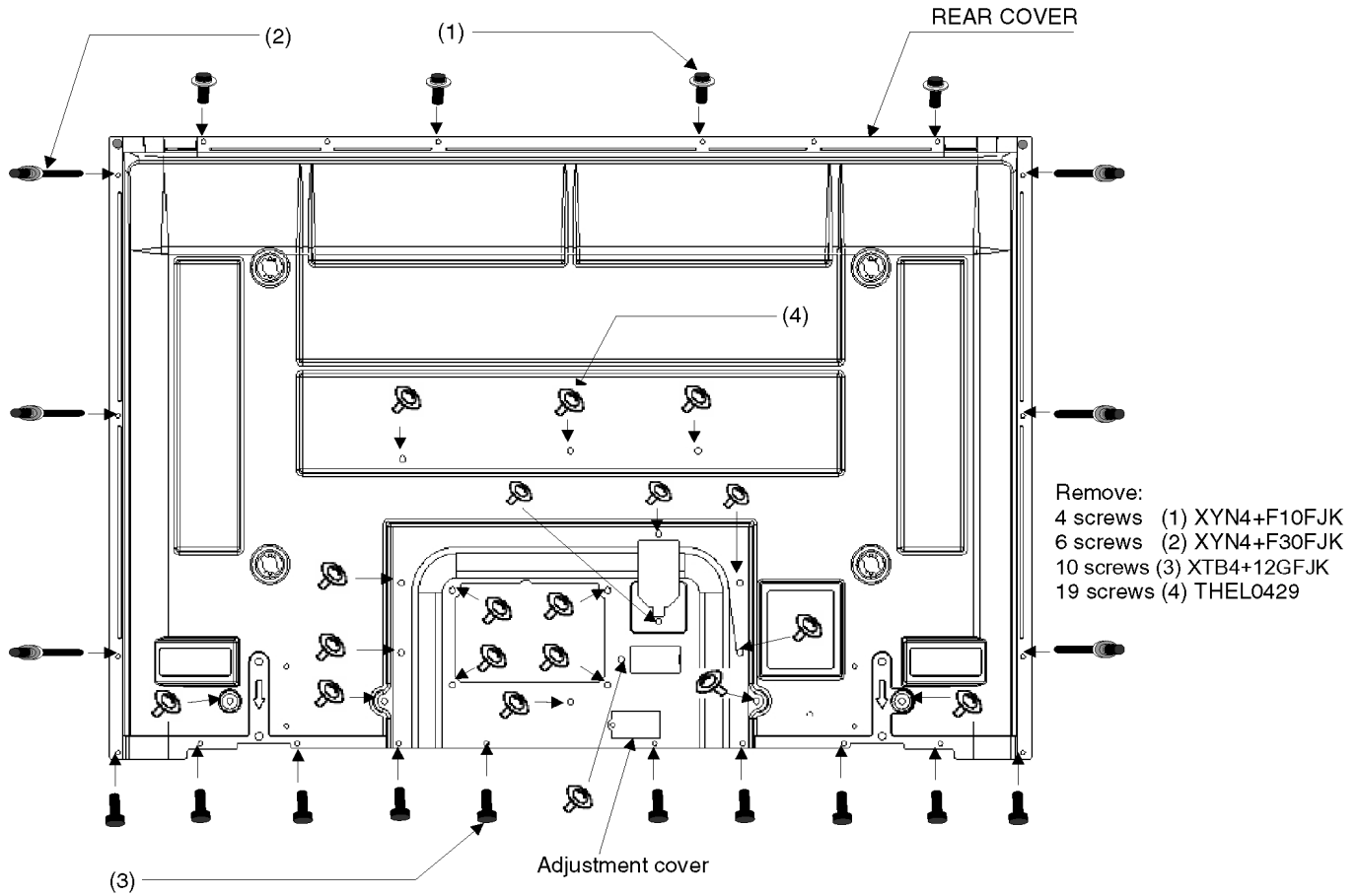
Suggested Pb free solder

There are several kinds of Pb free solder available for purchase. This product uses Sn+Ag+Cu (tin, silver, copper) solder. However, Sn+Cu (tin, copper), Sn+Zn+Bi (tin, zinc, bismuth) solder can also be used.

0.3mm X 100g	0.6mm X 100g	1.0mm X 100g

5 Service Hint

Remove the Rear Cover



Board Name	Function	Board Name	Function
P	Power Supply	D	Format Converter, Plasma AI, Sub-Field Processor
A	DC-DC Converter Speaker out, Sound Processor AV Terminal, AV Switch Digital Signal Processor, Microcomputer, HDMI Interface Peaks Lite 2	C1	Data Driver (Lower Right)
		C2	Data Driver (Lower Left)
		SC	Scan Drive
		SU	Scan out (Upper)
		SD	Scan out (Lower)
K	Remote receiver, Power LED	SS	Sustain Drive
S	Power Switch	GS	SD Card Slot, Key Switch

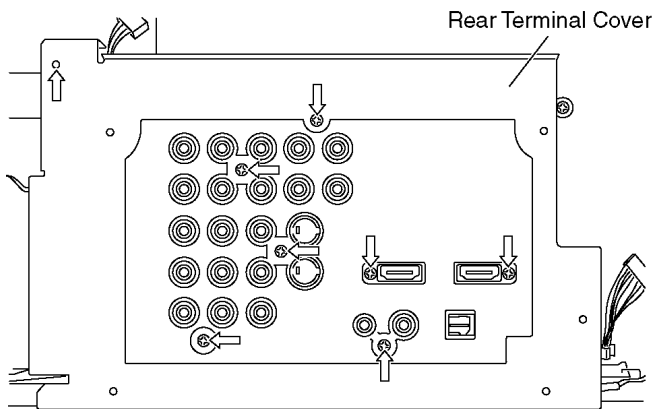
6 Plasma panel replacement method

6.1. Remove the rear cover

1. See Service Hint (Section 5)

6.2. Remove the rear terminal cover

1. Remove the screws ($\times 8 \Rightarrow$).
2. Remove the rear terminal cover.

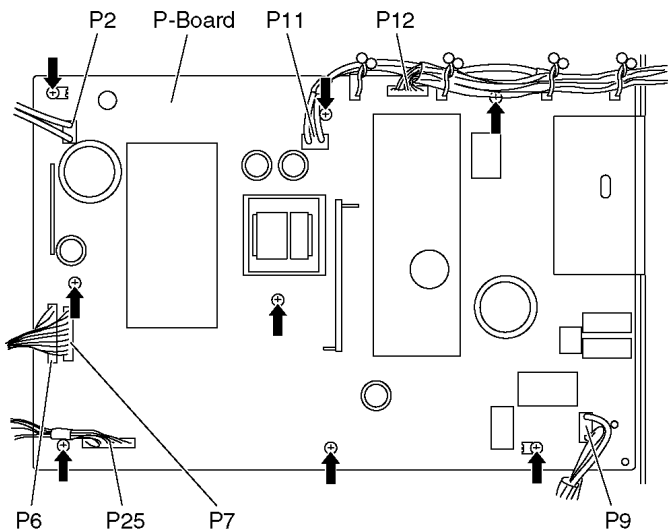


6.3. Remove the P-Board

Caution:

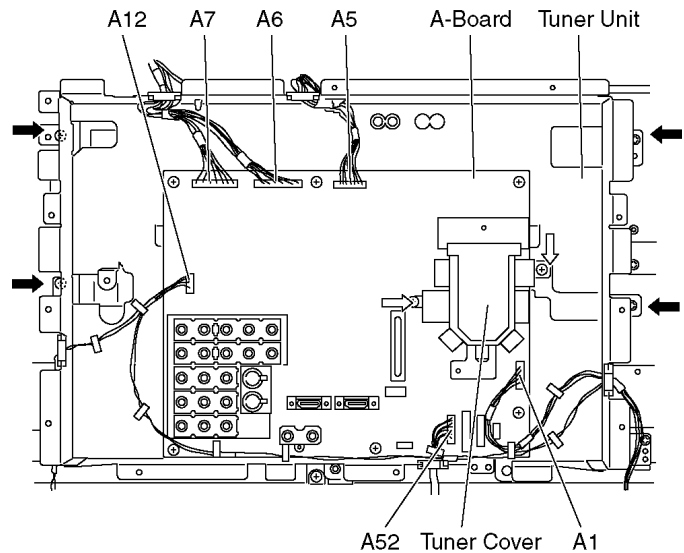
To remove P.C.B. wait 1 minute after power was off for discharge from electrolysis capacitors.

1. Unlock the cable clampers to free the cable.
2. Disconnect the connectors (P2, P6, P7, P9, P11, P12 and P25).
3. Remove the screws ($\times 8 \Rightarrow$) and remove the P-Board.



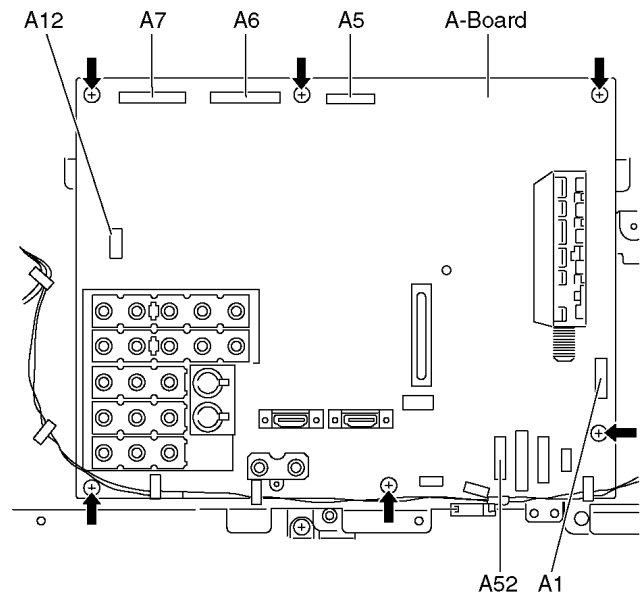
6.4. Remove the Tuner unit

1. Unlock the cable clampers to free the cable.
2. Disconnect the connectors (A1, A5, A6, A7, A12 and A52).
3. Remove the screws ($\times 2 \Rightarrow$) and remove the tuner cover.
4. Remove the screws ($\times 4 \Rightarrow$) and remove the tuner unit.



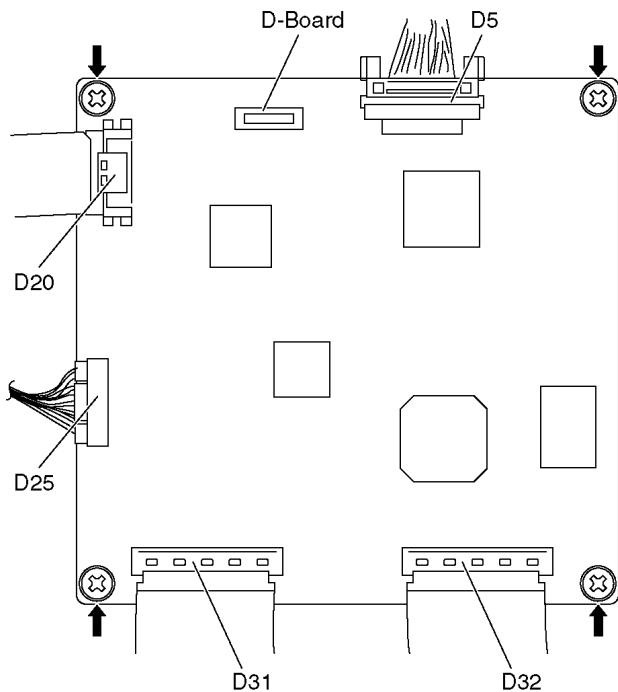
6.5. Remove the A-Board

1. Remove the tuner unit. (See section 6.4.)
2. Remove the screws ($\times 6 \Rightarrow$) and remove the A-Board.



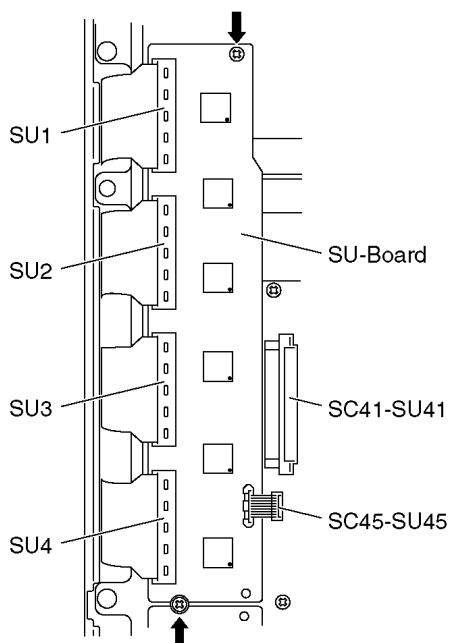
6.6. Remove the D-Board

1. Remove the tuner unit. (See section 6.4.)
2. Disconnect the connectors (D5 and D25).
3. Disconnect the flexible cables (D20, D31 and D32).
4. Remove the screws (×4 →) and remove the D-Board.



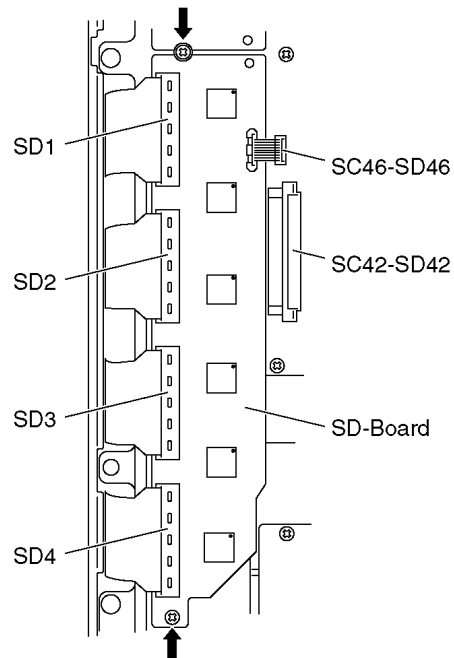
6.7. Remove the SU-Board

1. Remove the screws (×2 →).
2. Remove the flexible cables (SU1, SU2, SU3 and SU4) connected to the SU-Board and remove the bridge connector (SC45-SU45).
3. Slide the SU-Board to the left to disconnect from a connector (SC41-SU41) on the SC-Board and remove the SU-Board.



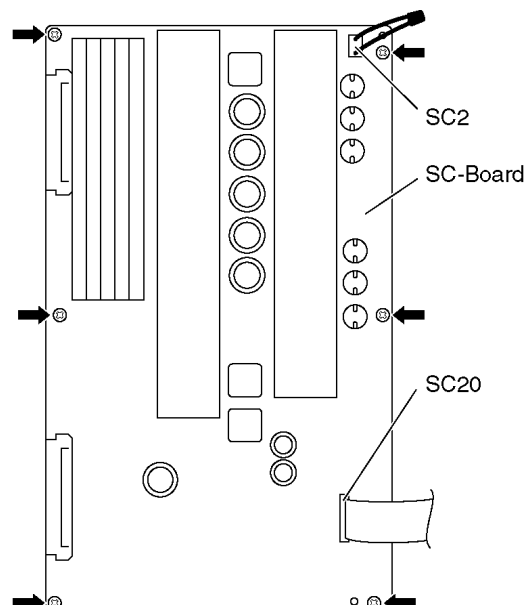
6.8. Remove the SD-Board

1. Remove the screws (×2 →).
2. Remove the flexible cables (SD1, SD2, SD3 and SD4) connected to the SD-Board and remove the bridge connector (SC46-SD46).
3. Slide the SD-Board to the left to disconnect from a connector (SC42-SD42) on the SC-Board and remove the SD-Board.



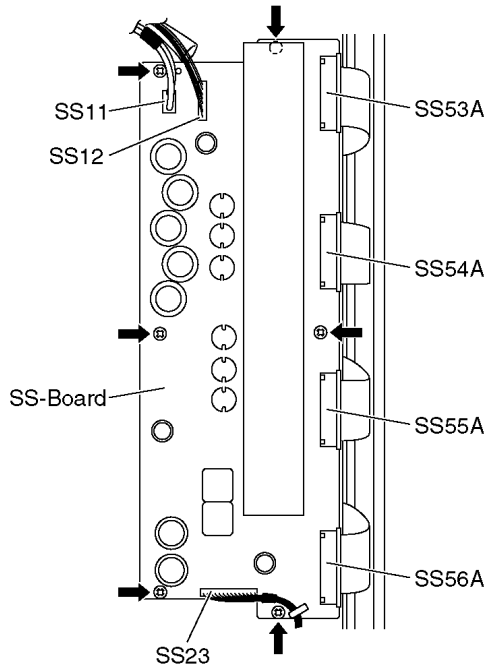
6.9. Remove the SC-Board

1. Remove the SU-Board and SD-Board. (See section 6.7. and 6.8.)
2. Unlock the cable clampers to free the cable.
3. Disconnect the connector (SC2).
4. Disconnect the flexible cable (SC20).
5. Remove the screws (×6 →) and remove the SC-Board.



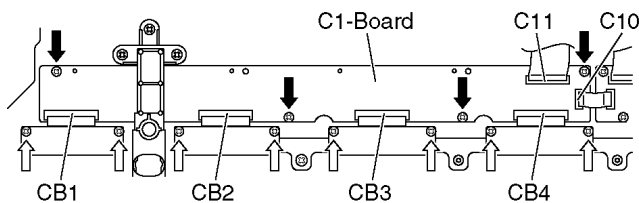
6.10. Remove the SS-Board

1. Disconnect the connectors (SS11, SS12 and SS23).
2. Disconnect the flexible cables (SS53A, SS54A, SS55A and SS56A).
3. Remove the screws (×6 →) and remove the SS-Board.



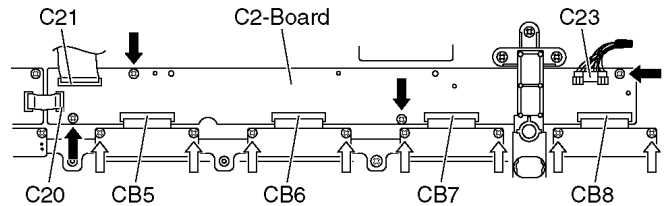
6.11. Remove the C1-Board

1. Remove the tuner unit. (See section 6.4.)
2. Unlock the cable clampers to free the cable.
3. Remove the flexible cables holder fastening screws (×8 ⇨).
4. Disconnect the flexible cables (CB1, CB2, CB3 and CB4).
5. Disconnect the flexible cables (C10 and C11).
6. Remove the screws (×4 ⇨) and remove the C1-Board.



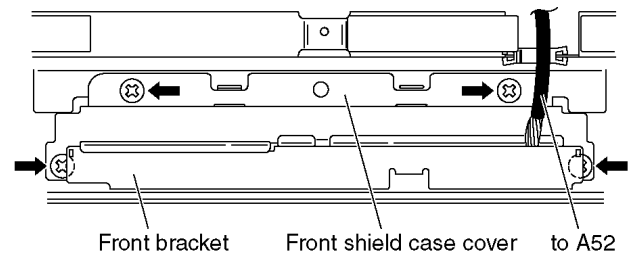
6.12. Remove the C2-Board

1. Remove the tuner unit. (See section 6.4.)
2. Unlock the cable clampers to free the cable.
3. Remove the flexible cables holder fastening screws (×8 ⇨).
4. Disconnect the flexible cables (CB5, CB6, CB7 and CB8).
5. Disconnect the flexible cables (C20 and C21).
6. Disconnect the connector (C23).
7. Remove the screws (×4 ⇨) and remove the C2-Board.



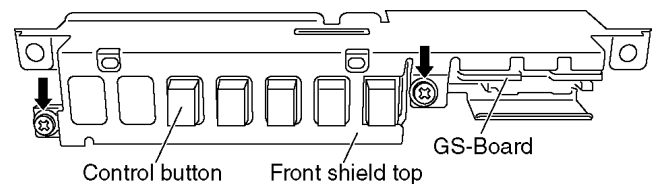
6.13. Remove the front bracket and the front shield case cover

1. Disconnect the connector (A52). (See section 6.4.)
2. Remove the screws (×4 ⇨) and remove the front bracket and the front shield case cover.

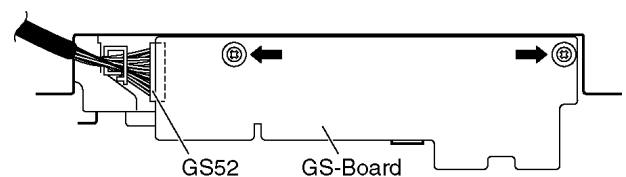


6.14. Remove the GS-Board

1. Remove the front bracket and the front shield case cover. (See section 6.13.)
2. Remove the screws (×2 ⇨) and remove the front shield top and the control button.

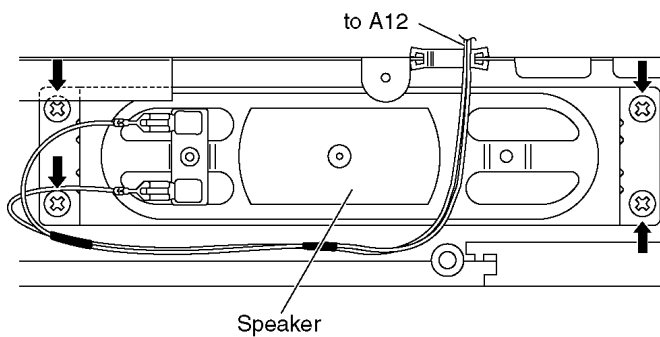


3. Remove the screws (×2 ⇨) and disconnect the connector (GS52).
4. Remove the GS-Board.



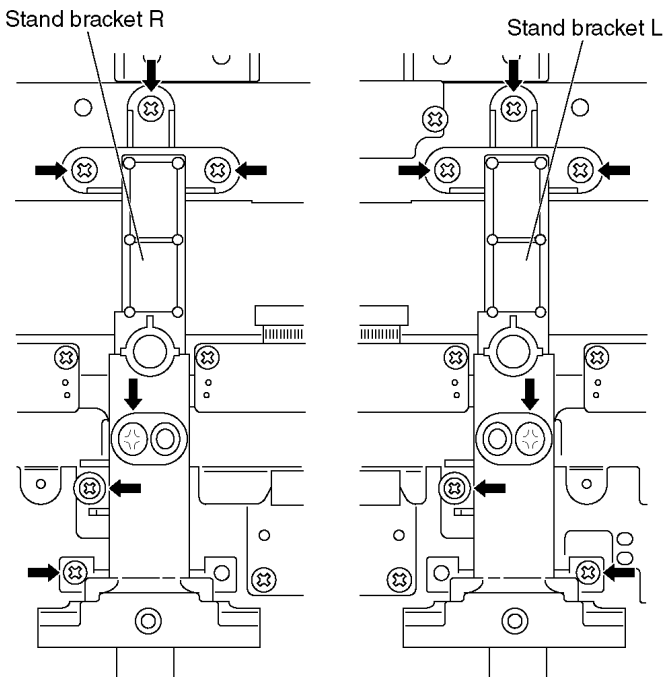
6.15. Remove the speaker L, R

1. Disconnect the connector (A12). (See section 6.4.)
2. Remove the screws (×4 → each) and remove the speaker L, R.



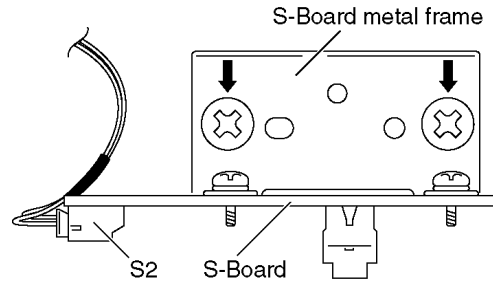
6.16. Remove the stand brackets

1. Remove the plasma panel section from the servicing stand and lay on a flat surface such as a table (covered) with the plasma panel surface facing downward.
2. Remove the stand brackets (left, right) fastening screws (×6 → each) and remove the stand brackets (left, right).

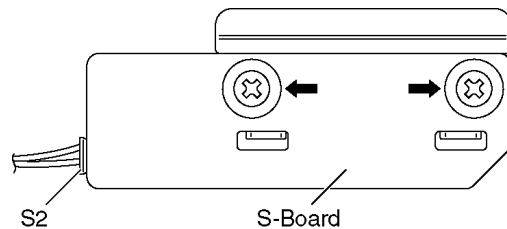


6.17. Remove the S-Board

1. Remove the screws (×2 →) and remove the S-Board metal frame.

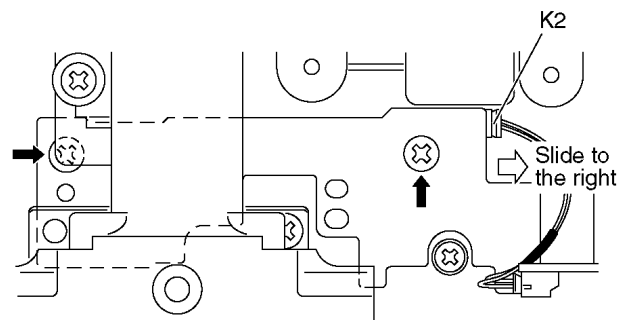


2. Disconnect the connector (S2).
3. Remove the screws (×2 →) and remove the S-Board.

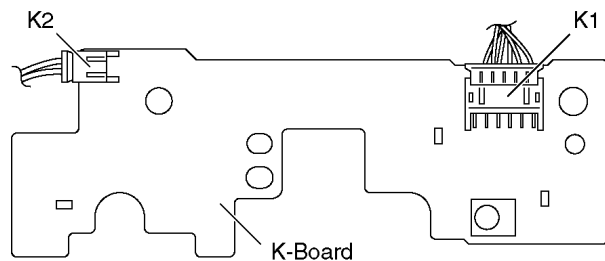


6.18. Remove the K-Board

1. Remove the S-Board. (See section 6.17.)
2. Unlock the cable clampers to free the cable.
3. Disconnect the connectors (A1). (See section 6.4.)
4. Remove the screws (×2 →) and slide to the right to remove the K-Board.

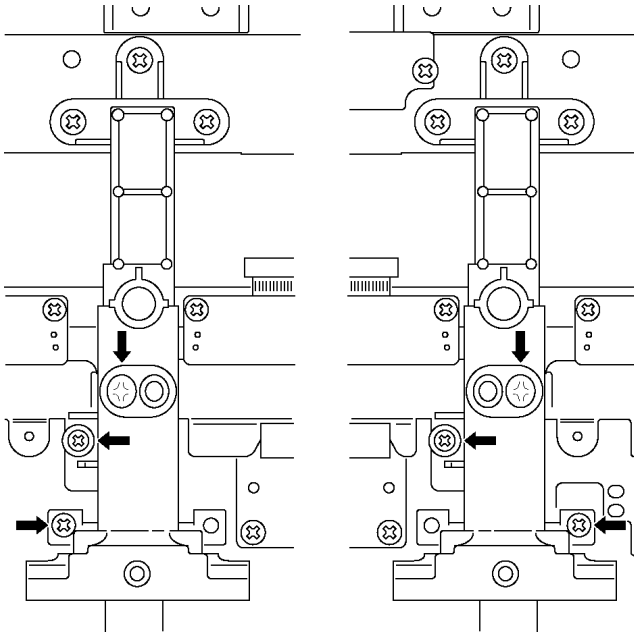


5. Disconnect the connectors (K1 and K2) and remove the K-Board.

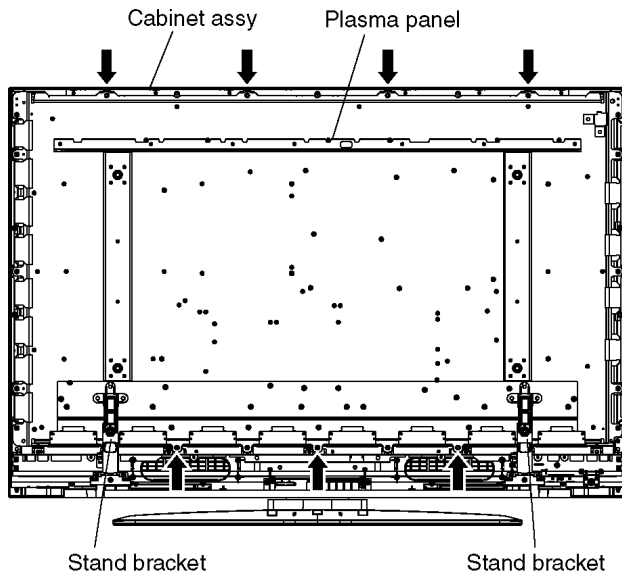


6.19. Remove the Plasma panel section from the Cabinet assy (glass)

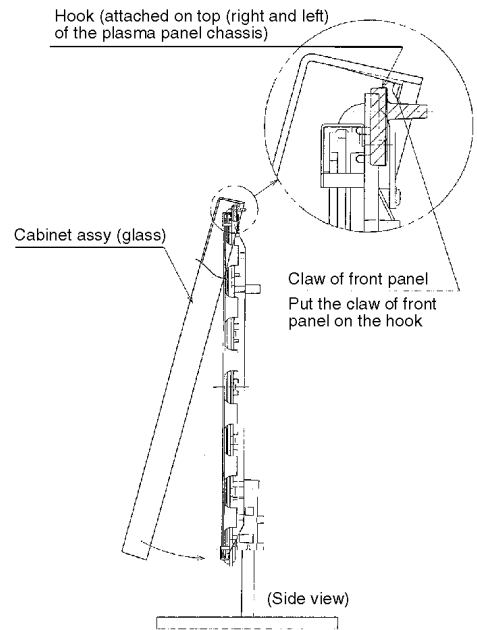
1. Remove the plasma panel section from the servicing stand and lay on a flat surface such as a table (covered) with the plasma panel surface facing downward.
2. Remove the stand brackets (left, right) fastening screws (×3 → each).



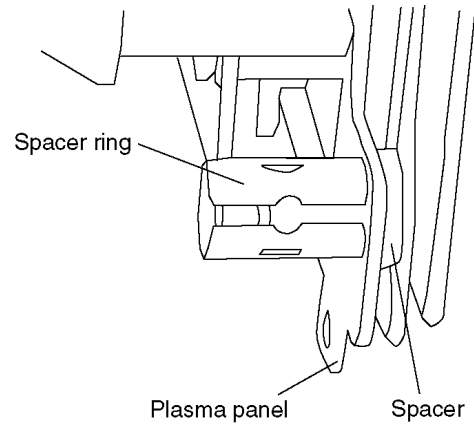
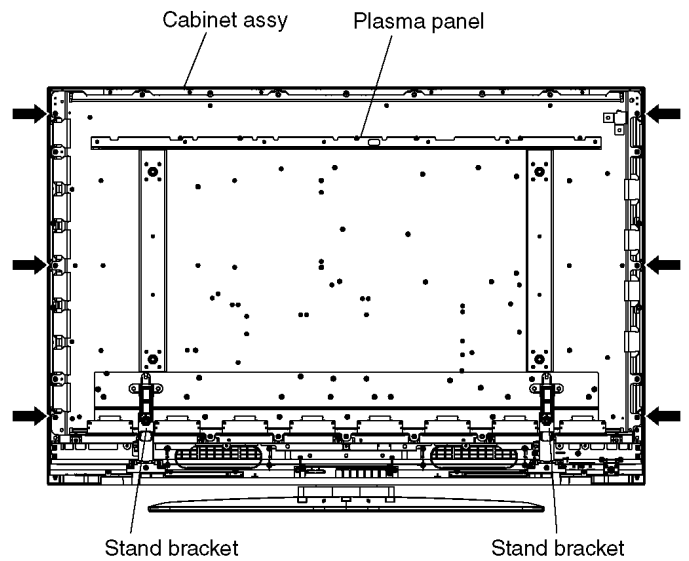
3. Replace the servicing stand and stand the set.
4. Remove the cabinet assy and the plasma panel fastening screws (×7 →).



5. For leaving the plasma panel from the cabinet assy, pull the bottom of the front frame forward, lift, and remove.



6. Remove the spacers and spacer rings (×6 →).



6.20. Replace the plasma panel (finished)

1. Place the new plasma panel (finished) on the flat surface of the table (covered by a soft cloth), with the plasma panel surface facing downward.
2. Attach the C1-Board and the C2-Board, connect the flexible cables (×16) from the Plasma panel to the C1-Board and the C2-Board, and fit the flexible cable holders.
3. Attach the Hooks (left, right) and fit the stand brackets (L, R) to the new plasma panel.
4. Place the plasma panel section on the servicing stand.
5. Attach the cabinet assy and each P.C.Board and so on, to the new plasma panel.

***When fitting the front frame, be careful to allow any debris, dust or handling residue to remain between the front glass and plasma panel.**

7 Caution statement

7.1. Caution statement.

Caution:

Please confirm that all flexible cables are assembled correctly.

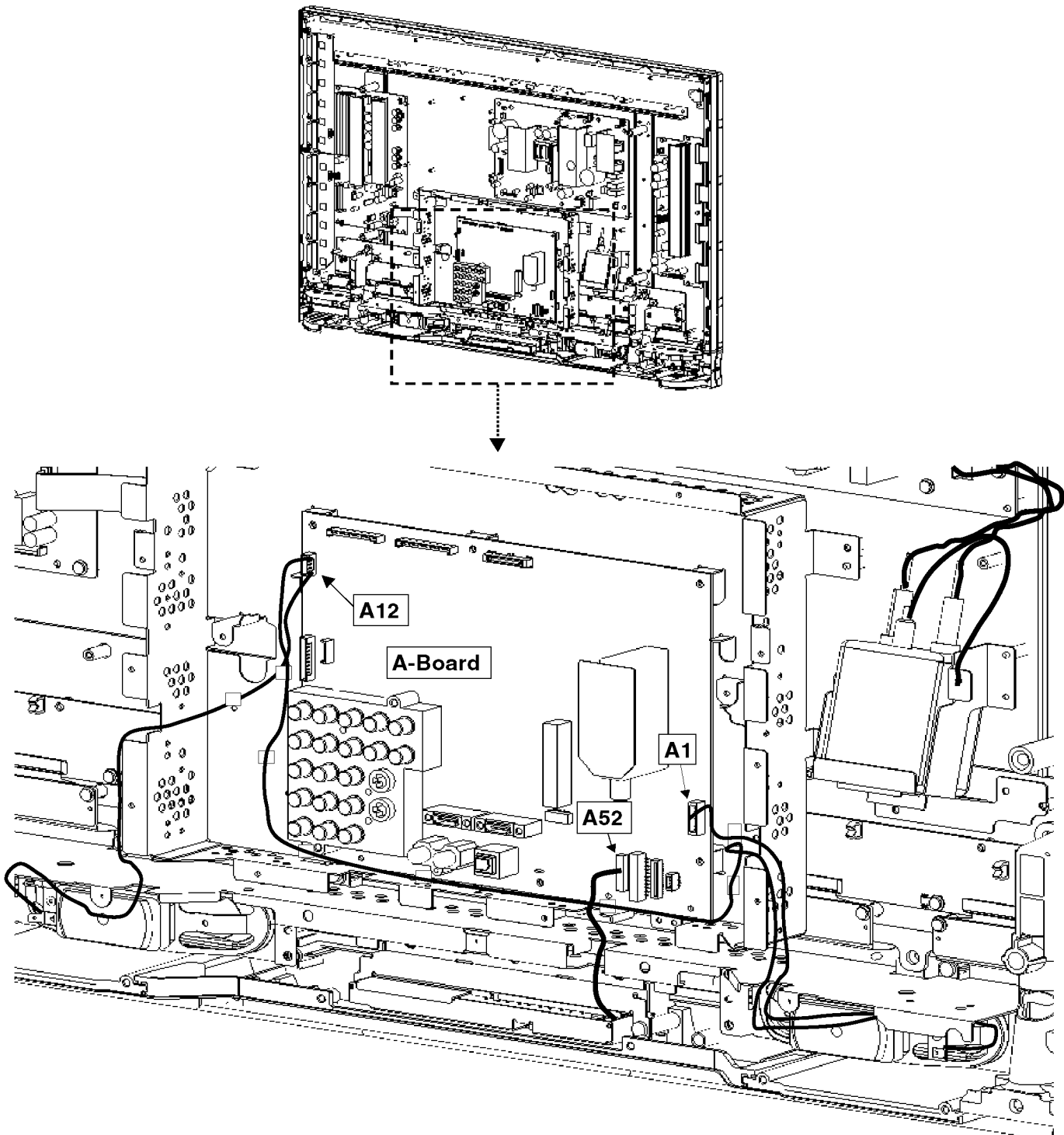
Also make sure that they are locked in the connectors.

Verify by giving the flexible cables a very slight pull.

8 Location of Lead Wiring

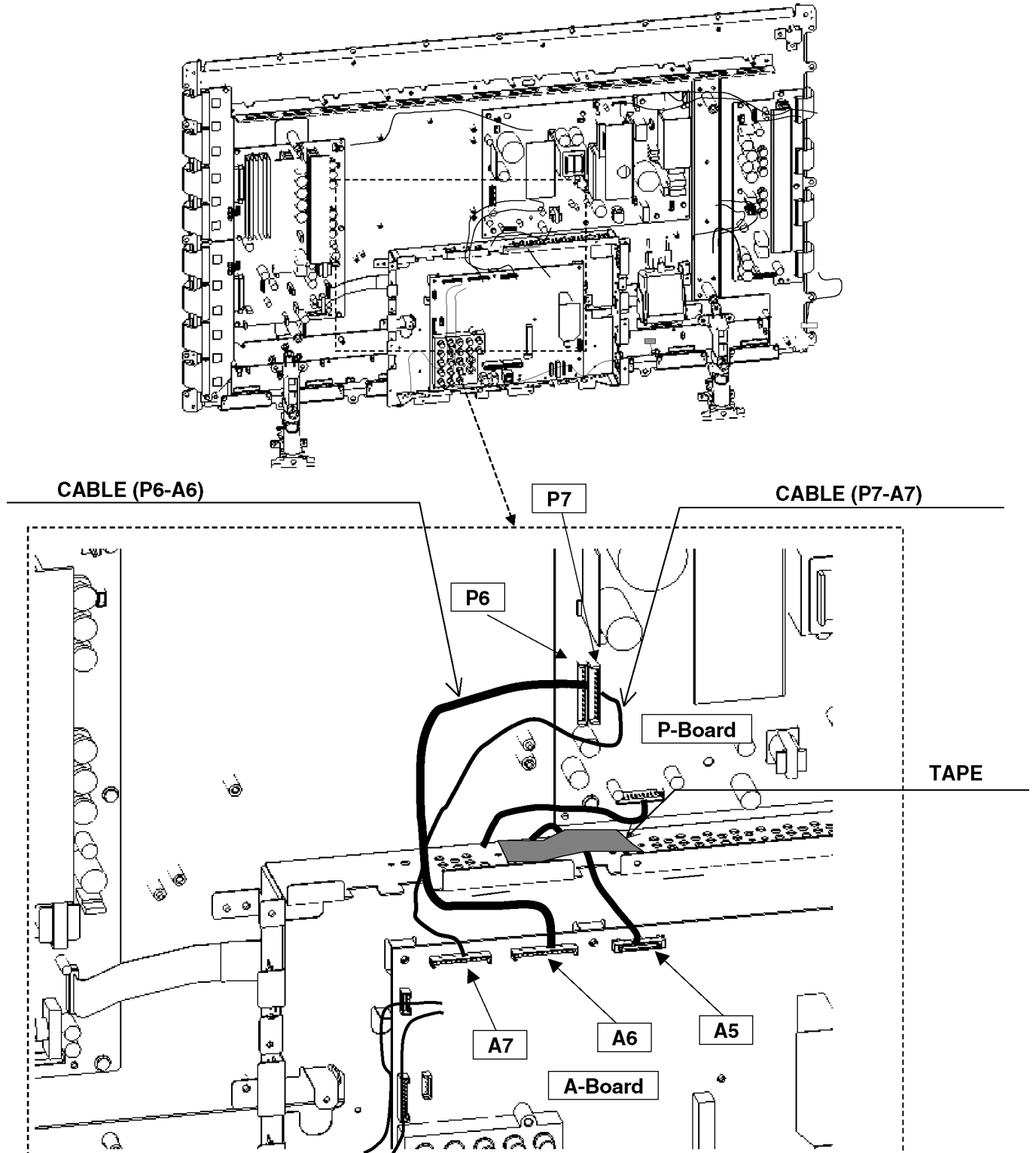
8.1. Lead of Wiring (1)

The wire is dressed as shown in figure.



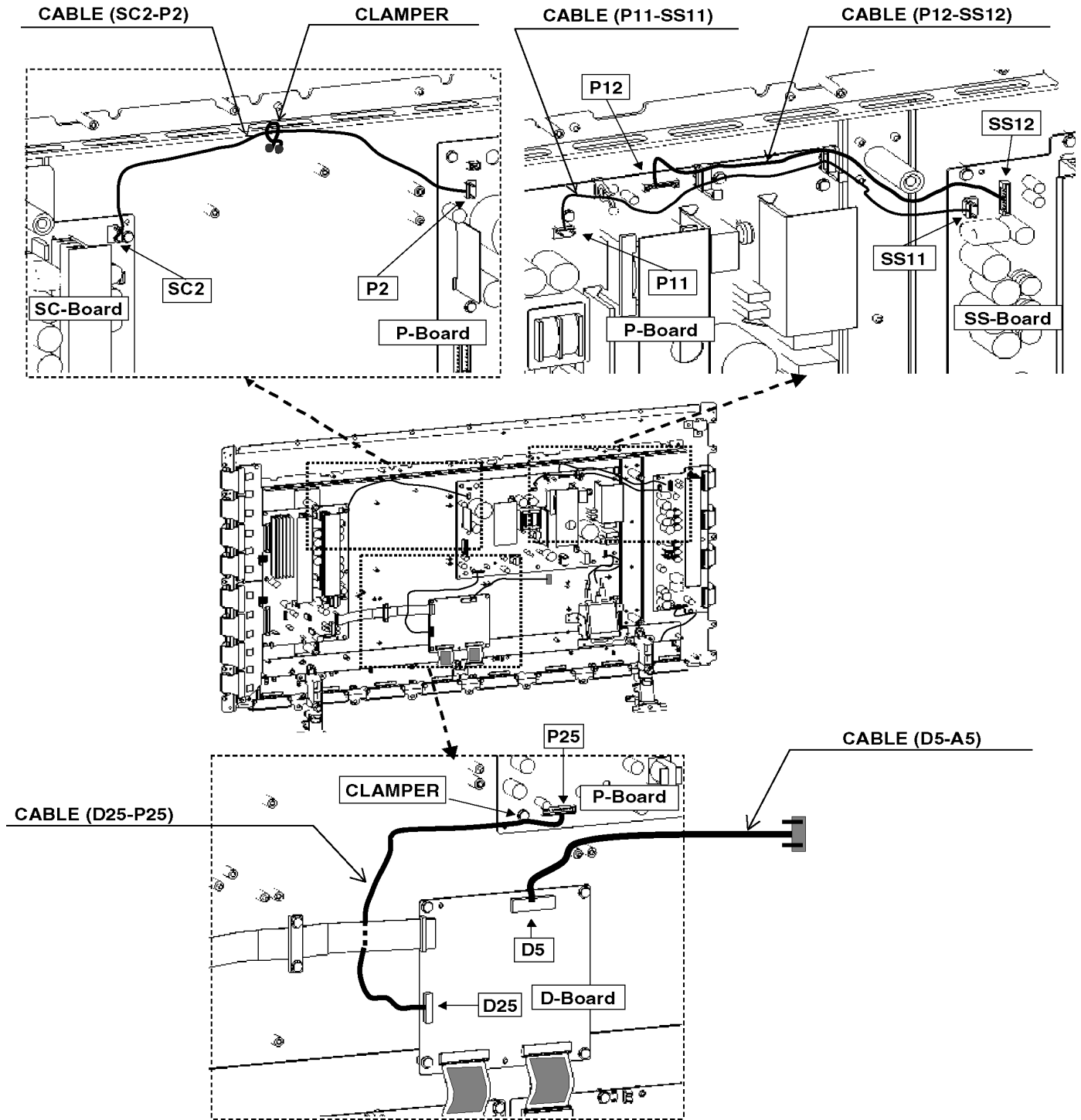
8.2. Lead of Wiring (2)

The wire is dressed as shown in figure.



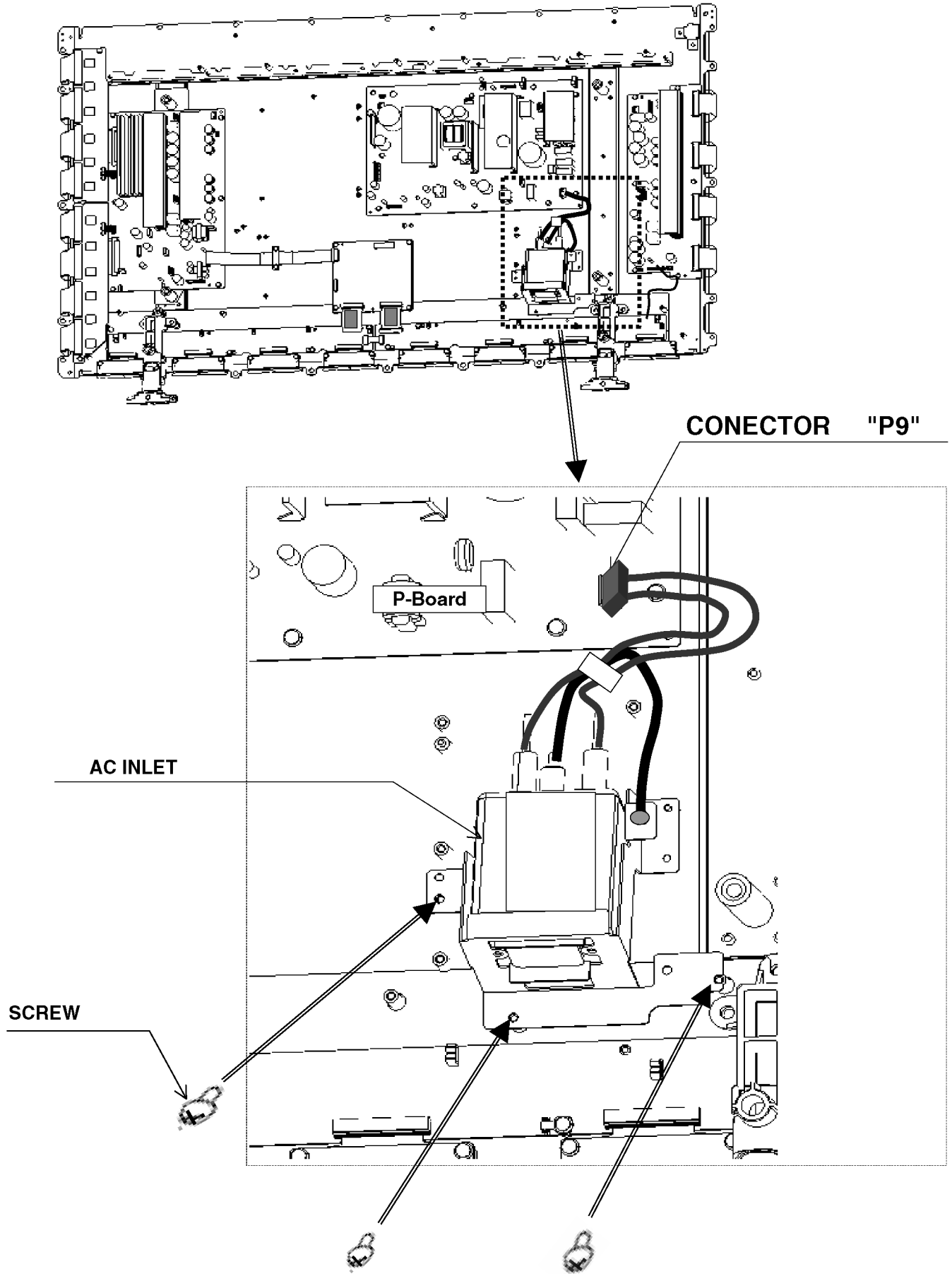
8.3. Lead of Wiring (3)

The wire is dressed as shown in figure.



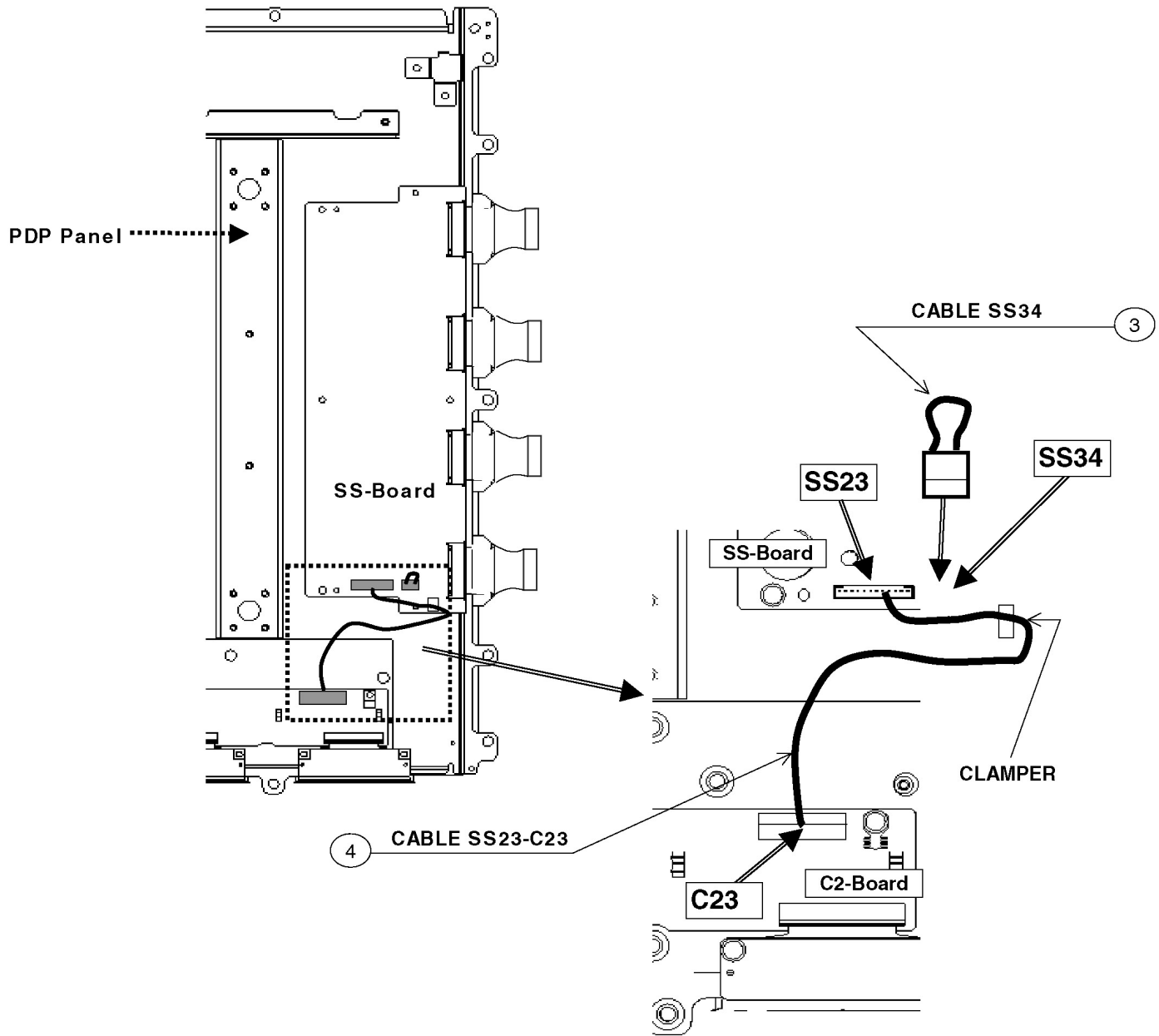
8.4. Lead of Wiring (4)

The wire is dressed as shown in figure.



8.5. Lead of Wiring (5)

The wire is dressed as shown in figure.



9 Self-check Function

Use the self-check function to test the unit.

1. Checking the IIC bus lines
2. Power LED Blinking timing

9.1. Check of the IIC bus lines

9.1.1. How to access

Self-check indication only:

Produce TV reception screen, and while pressing [VOLUME (-)] button on the main unit, press [OK] button on the remote control for more than 3 seconds.

Self-check indication and forced to factory shipment setting:

Produce TV reception screen, and while pressing [VOLUME (-)] button on the main unit, press [MENU] button on the remote control for more than 3 seconds.

9.1.2. Screen display

SELF CHECK		0.470- 00.16	
DT	OK	MEM1	OK
GC3FS	OK	MEM2	OK
ADV	OK	PANEL	OK
VSW	OK	TEMP	OK
ADAV	OK		
ASW	OK		
TUN1	OK		
TUN2	OK		
FE	OK		
GenX4	OK		
		ROMCORR.CHECKSUM : 93	
Copyright 2007 Matsushita Electric Industrial Co., Ltd.			

9.1.3. Check Point

Confirm the following parts if NG was displayed.

DISPLAY	Ref. No.	Description	P.C.B.
DT	IC8001	Peaks Lite2	A-Board
GC3FS	---	not used	---
ADV	IC4510	A/D CONV. , HDMI RX	A-Board
VSW	IC3001	VIDEO SW	A-Board
ADAV	IC2106	SOUND PROCESSOR	A-Board
ASW	IC3101	AUDIO SW	A-Board
TUN1	TU8300	TUNER (PLL block)	A-Board
TUN2	TU8300	TUNER (MTS block)	A-Board
FE	IC8302	Digital demodulator	A-Board
GenX4	IC1100	GenX4 (STB MCU)	A-Board
MEM1	IC1101	EEPROM (GenX4)	A-Board
MEM2	IC8503	EEPROM (Peaks)	A-Board
PANEL	IC9003	MICON	D-Board
TEMP	IC9002	TEMP SENSOR	D-Board

9.1.4. Exit

Disconnect the AC cord from wall outlet.

9.2. Power LED Blinking timing chart

1. Subject

Information of LED Flashing timing chart.

2. Contents

When an abnormality has occurred the unit, the protection circuit operates and reset to the stand by mode. At this time, the defective block can be identified by the number of blinks of the Power LED on the front panel of the unit.

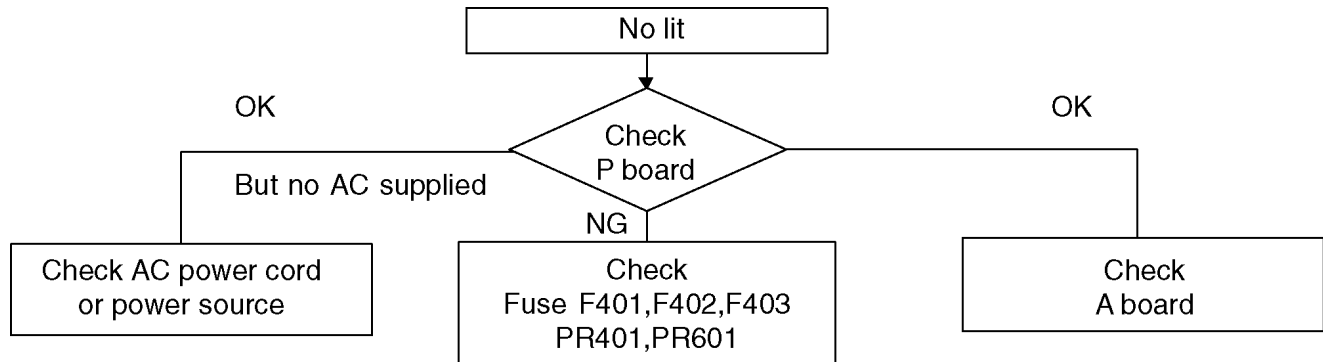
Blinking Times	Blinking timing	Contents	Check point
1		No particular check point	-
		Panel Status	-
		STB 5V SENSE Time out	A-Board
2		15V SOS	D-Board
3		3.3V SOS	D-Board
4		Power SOS	P-Board
5		5V SOS	D-Board
6		Driver SOS1 (SC Energy recovery circuit)	SU-Board SD-Board SC-Board
7		Driver SOS2 (SC floating voltage area)	SU-Board SD-Board SC-Board
8		Driver SOS3 (SS Energy recovery circuit)	SS-Board
9		Panel Config SOS	-
10		Sub 5V SOS Main 3.3V SOS DTV 9V SOS Tuner Power SOS	A-Board
12		Sound SOS	A-Board
13		Comunication Error with IC8001 (Peaks Lite 2)	A-Board

9.3. No Power

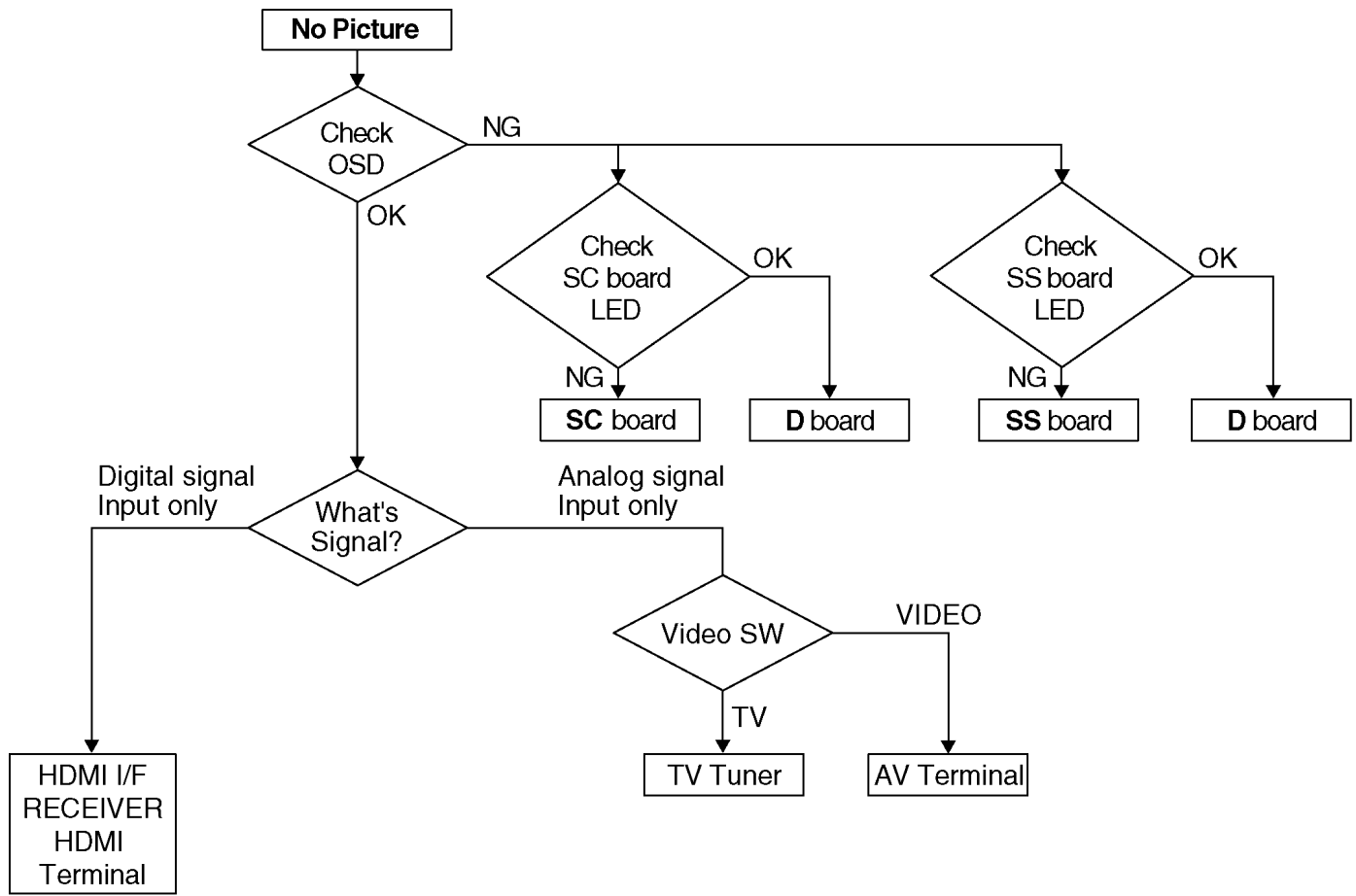
First check point

There are following 2 states of No Power indication by power LED.

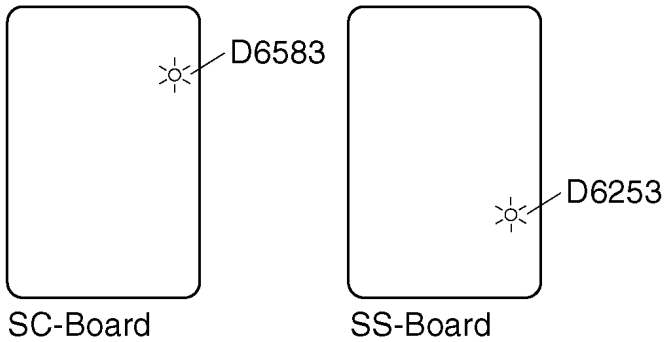
1. No lit
2. Red is lit then turns red blinking a few seconds later. (See 9.2.)



9.4. No Picture

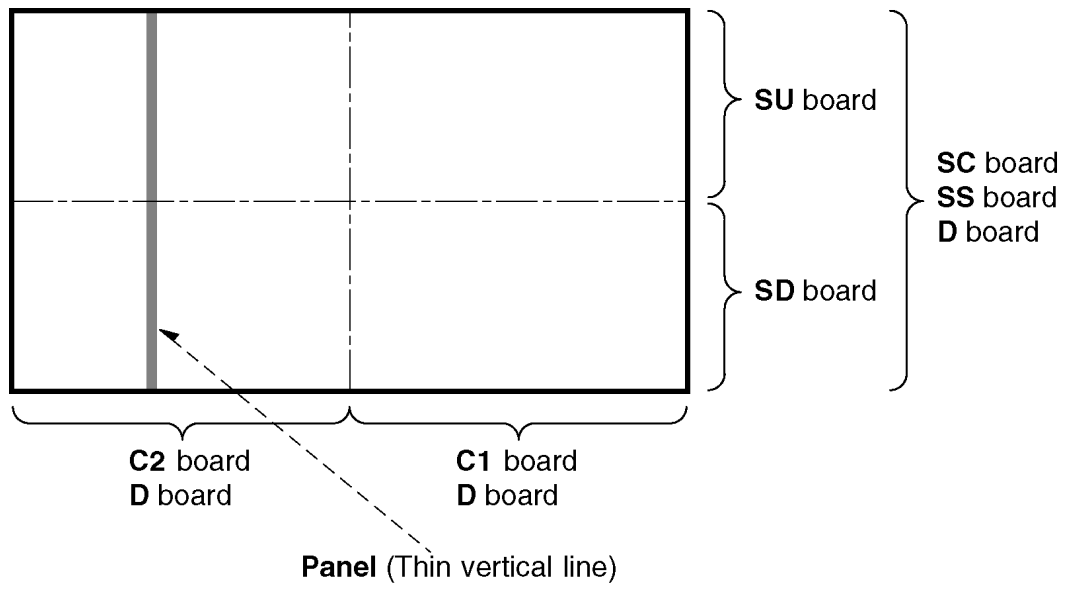


Drive circuits LED indicator



9.5. Local screen failure

Plasma display may have local area failure on the screen. Fig-1 is the possible defect P.C.B. for each local area.



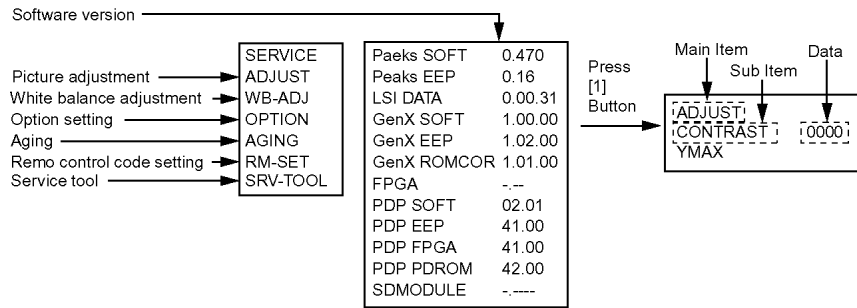
<Local screen failure chart>

Fig-1

10 Service Mode

10.1. How to enter into Service Mode

While pressing [VOLUME (-)] button of the main unit, press [RECALL] button of the remote control three times within 3 seconds.



10.1.1. Key command

“1” button...Main items Selection in forward direction

“2” button...Main items Selection in reverse direction

“3” button...Sub items Selection in forward direction

“4” button...Sub items Selection in reverse direction

“VOL” button...Value of sub items change in forward direction (+), in reverse direction (-)

10.1.2. Contents of adjustment mode

- Value is shown as a hexadecimal number.
- Preset value differs depending on models.
- After entering the adjustment mode, take note of the value in each item before starting adjustment.

Main item	Sub item	Sample Data	Remark
ADJUST	CONTRAST	000	
	COLOR	49	
	TINT	FE	
	SUB-BRT	808	
WB-ADJ	R-CUT	80	
	G-CUT	80	
	B-CUT	80	
	R-DRV	F6	
	G-DRV	E2	
	B-DRV	FC	
	ALL-CUT	80	
	ALL-DRV	FC	
OPTION	BOOT	ROM	Factory Preset.
	STBY-SET	00	
	Emergency	OFF	
	CLK MODE	00	
	CLOCK	000	
AGING	RGBW		
	COUNT		
	ALL WHITE		
	ALL RED		
	ALL GREEN		
	ALL BLUE		
	ON/OFF		
	RAMP WHITE		
	RAMP RED		
	RAMP GREEN		
	RAMP BLUE		
	1% WINDOW		
	COLOR BAR		
	A-ZONE B-ZONE/4 TRIO		
	SCROLL		
WHITE FLAME			
RM-SET	CODE	A	Fixed.
SRV-TOOL	-		See Next.

10.1.3. How to exit

Switch off the power with the [POWER] button on the main unit or the [POWER] button on the remote control.

10.2. Service tool mode

10.2.1. How to access

1. Select "SRV-TOOL" in Service Mode.
2. Press [OK] button on the remote control.

	SRV-TOOL		
Display of TD2Microcode version →	TD2Microcode:81c0000e		
Display of Flash ROM maker code →	Flash ROM : 1 - 227E		
Display of SOS History →	PTCT : 00 .00 .00 .00 .00	Time 00000:40	Count 0000022 ← POWER ON TIME/COUNT Press [MUTE] buton (3sec)

10.2.2. Display of SOS History

SOS History (Number of LED blinking) indication.

From left side; Last SOS, before Last, three occurrence before, 2nd occurrence after shipment, 1st occurrence after shipment.
This indication will be cleared by "Self-check indication and forced to factory shipment setting".

10.2.3. POWER ON TIME/COUNT Note: To display TIME/COUNT menu, highlight position, then press MUTE for (3sec).

Time : Cumulative power on time, indicated hour : minute by decimal

Count : Number of On times by decimal

Note : This indication will not be cleared by either of the self-checks or any other command.

10.2.4. Exit

1. Disconnect the AC cord from wall outlet.

11 Adjustment Procedure

11.1. Driver Set-up

11.1.1. Item / Preparation

1. Input a white signal to plasma video input.
2. Set the picture controls as follows.

Picture menu: Vivid

Normal: Set

Aspect: Full

Caution

1. First perform Vsus adjustment.
2. Confirmation of Vscn voltage should be performed after confirmation of Vad adjustment.

When Vad=-105V, Voltage of Vscn is 40V ±4V.

11.1.2. Adjustments

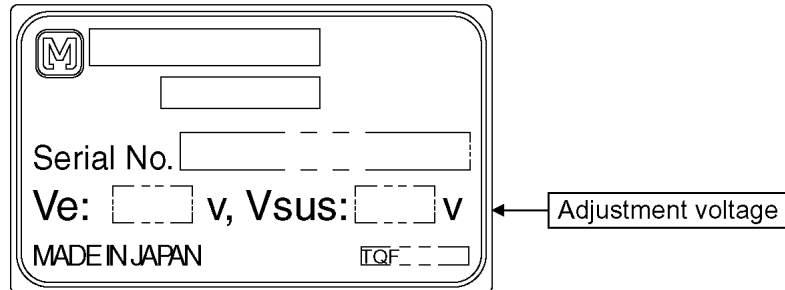
Adjust driver section voltages referring the panel data on the panel data label.

Check or adjust the following voltages with the multimeter.

Name	Test Point	Voltage	Volume	Remarks
Vsus	TPVSUS (SS)	Vsus ± 2V	R628 (P)	*
Ve	TPVE (SS)	Ve ± 1V	VR6000 (SS)	*
Vset	TPVSET (SC)	330V ± 7V	Fixed	
Vad	TPVAD (SC)	-105V ± 1V	VR6600 (SC)	
Vscn	TPVSCN (SC)	Vad+145V ± 4V	Fixed	
Vda	TPVDA (SS)	75V ± 1V, -2V	Fixed	
PFC	C446(+)(-)	396.0V±0.5V	R443 (P)	

*See the Panel label.

Panel Label information



11.2. Initialization Pulse Adjust

1. Input the White signal to plasma video input.

2. Set the picture controls as follows.

Picture menu : Vivid

Normal : Set

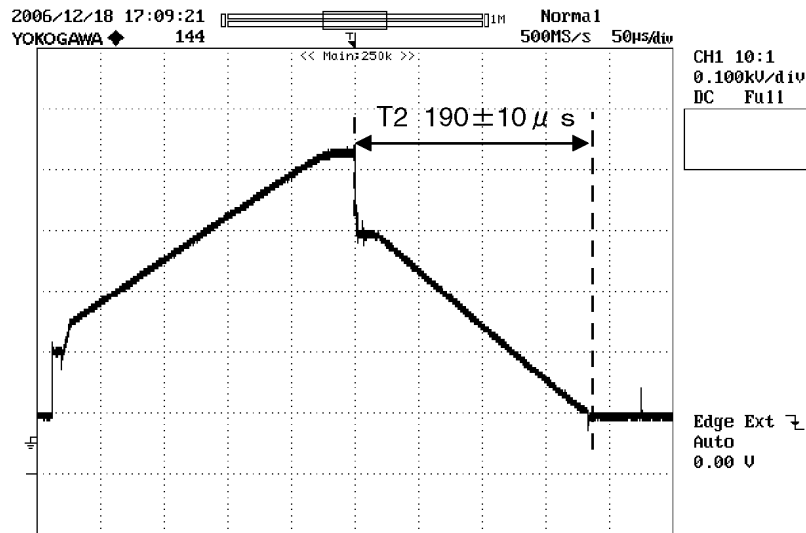
Aspect : Full

3. Connect Oscilloscope to TPSC1 (SC).

Check and adjust that the stand down pulse(T2) period are each within specification.

	Test point	Volume	Level
T2	TPSC1 (SC)	VR6602 (SC)	190 ± 10μ Sec

TPSC1



11.3. P.C.B. (Printed Circuit Board) exchange

11.3.1. Caution

1. To remove P.C.B. , wait 1 minute after power was off for discharge from electrolysis capacitors.

11.3.2. Quick adjustment after P.C.B. exchange

Adjust the following voltages with the multimeter.

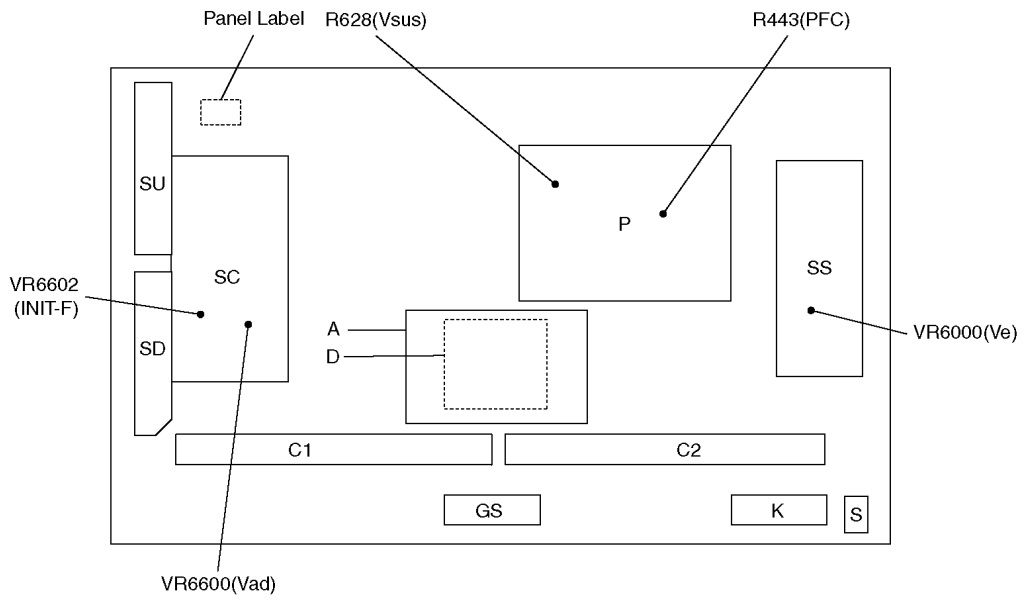
P.C.B.	Name	Test Point	Voltage	Volume	Remarks
P Board	Vsus	TPVSUS (SS)	Vsus ± 2V	R628 (P)	*
	PFC	C446 (+) (-)	396.0V ± 0.5V	R443 (P)	
SC Board	Vad	TPVAD (SC)	-105V ± 1V	VR6600 (SC)	
SS Board	Ve	TPVE (SS)	Ve ± 1V	VR6000 (SS)	*
D, DG Board	White balance and Sub brightness for NTSC, PAL, HD, PC and 625i signals				

*See the Panel label.

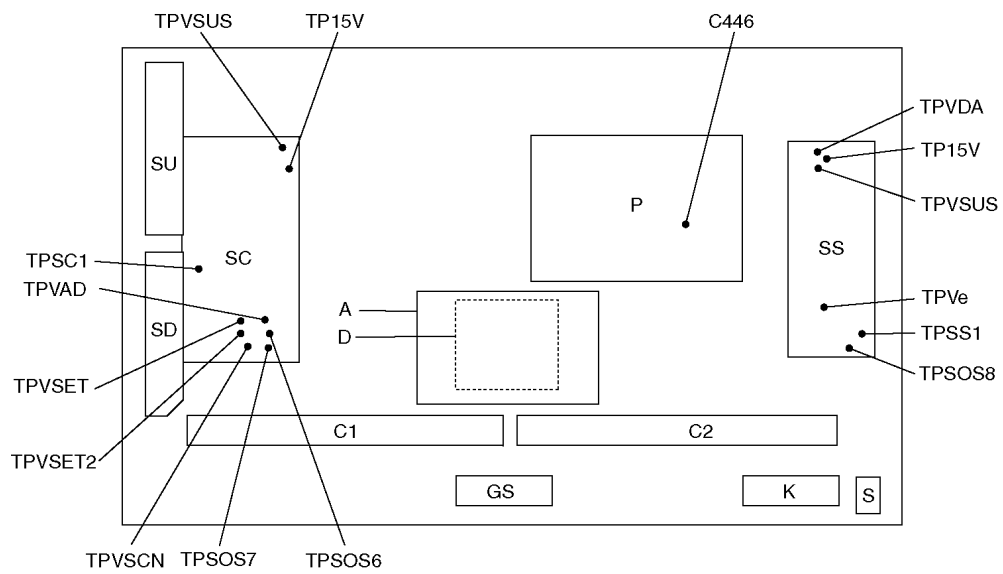
Caution:

Absolutely do not reduce Vsus below Ve not to damage the P.C.B.

11.4. Adjustment Volume Location



11.5. Test Point Location



12 Adjustment

12.1. White balance adjustment

Name of measuring instrument	Connection	Remarks								
<ul style="list-style-type: none"> • W/B pattern • Color analyzer (Minolta CA-100 or equivalent) 	Component input Panel surface									
Procedure		Remarks								
<ul style="list-style-type: none"> • Ensure aging is adequate. • Make sure the front panel to be used on the final set is fitted. • Make sure a color signal is not being shown before adjustment. • Put the color analyzer where there is little color variation. <ol style="list-style-type: none"> 1. Output a white balance pattern. 2. Check that the color temperature is "Cool". 3. Set to serviceman mode, WB-ADJ. 4. Set "R-CUT" "G-CUT" "B-CUT" the values written in table 1. 5. Attach the sensor of color analyzer to the center of highlight window. 6. Fix G drive at C0h and adjust "B-DRV" and "R-DRV" so x, y value of color analyzer become the "Color temperature High" in table 2. 7. Increase RGB together so the maximum drive value in RGB becomes FCh. That is, set "ALL DRIVE" to FCh. 8. Set color temperature to "Normal". 9. Set "R-CUT" "G-CUT" "B-CUT" the values written in table 1. 10. Attach the sensor of color analyzer to the center of highlight window. 11. Fix G drive at C0h and adjust "B-DRV" and "R-DRV" so x, y value of color analyzer become the "Color temperature Mid" in table 2. 12. Increase RGB together so the maximum drive value in RGB becomes FCh. That is, set "ALL DRIVE" to FCh. 13. Set color temperature to "Warm". 14. Set "R-CUT" "G-CUT" "B-CUT" the values written in table 1. 15. Attach the sensor of color analyzer to the center of highlight window. 16. Fix G drive at C0h and adjust "B-DRV" and "R-DRV" so x, y value of color analyzer become the "Color temperature Low" in table 2. 17. Increase RGB together so the maximum drive value in RGB becomes FCh. That is, set "ALL DRIVE" to FCh. 18. Set color temperature to "Cool". <p>[adjustment of "Normal" "Warm" by data shift from "Cool" adjust.] For "Normal" "Warm" adjustment, set values that the adjusted value of "Cool" plus the figures wrote below.</p> <ol style="list-style-type: none"> 19. Copy values adjusted by HD pattern to the NTSC data area of EEPROM. <table style="width: 100%; border: none;"> <tr> <td style="padding-right: 20px;">Normal :</td> <td style="padding-right: 20px;">R-DRV : 0h</td> <td style="padding-right: 20px;">G-DRV : -2h</td> <td>B-DRV : -22h</td> </tr> <tr> <td>Warm :</td> <td>R-DRV : 0h</td> <td>G-DRV : -Ah</td> <td>B-DRV : -62h</td> </tr> </table>		Normal :	R-DRV : 0h	G-DRV : -2h	B-DRV : -22h	Warm :	R-DRV : 0h	G-DRV : -Ah	B-DRV : -62h	
Normal :	R-DRV : 0h	G-DRV : -2h	B-DRV : -22h							
Warm :	R-DRV : 0h	G-DRV : -Ah	B-DRV : -62h							

Table 1: R-CUT,G-CUT,B-CUT setting data

Color temperature	R-CUT	G-CUT	B-CUT
High(Cool)	80	80	80
Mid	80	80	80
Low(Warm)	80	80	80

Table 2: W/B adjustment values

Color temperature	x	y
High(Cool)	0.276	0.276
Mid	0.288	0.296
Low(Warm)	0.313	0.329

Table 3: EEPROM data addresses

SD/ Color temperature High	R-CUTOFF	0240
	G-CUTOFF	0241
	B-CUTOFF	0242
	R-DRIVE	0243
	G-DRIVE	0244
	B-DRIVE	0245
SD/ Color temperature Mid	R-CUTOFF	0246
	G-CUTOFF	0247
	B-CUTOFF	0248
	R-DRIVE	0249
	G-DRIVE	024A
	B-DRIVE	024B
SD/ Color temperature Low	R-CUTOFF	024C
	G-CUTOFF	024D
	B-CUTOFF	024E
	R-DRIVE	024F
	G-DRIVE	0250
	B-DRIVE	0251
HD/ Color temperature High	R-CUTOFF	0252
	G-CUTOFF	0253
	B-CUTOFF	0254
	R-DRIVE	0255
	G-DRIVE	0256
	B-DRIVE	0257
HD/ Color temperature Mid	R-CUTOFF	0258
	G-CUTOFF	0259
	B-CUTOFF	025A
	R-DRIVE	025B
	G-DRIVE	025C
	B-DRIVE	025D
HD/ Color temperature Low	R-CUTOFF	025E
	G-CUTOFF	025F
	B-CUTOFF	0260
	R-DRIVE	0261
	G-DRIVE	0262
	B-DRIVE	0263

13 Hotel mode

1. Purpose

Restrict a function for hotels.


2. Access command to the Hotel mode setup menu

In order to display the Hotel mode setup menu, please enter the following command (**within 2 second**).

[TV] : Vol. "Down" + [REMOTE] : TV/VIDEO (3 times)

Then, the Hotel mode setup menu is displayed.

Hotel Mode	
Mode	Off
Input	-
Channel	-
Volume	+ 16
Vol. Max	+ 63
OSD Ctrl	Off
FP Ctrl	Off
Pow Ctrl	Off

Select Change  RETURN

3. To exit the Hotel mode setup menu

Disconnect AC power cord from wall outlet.

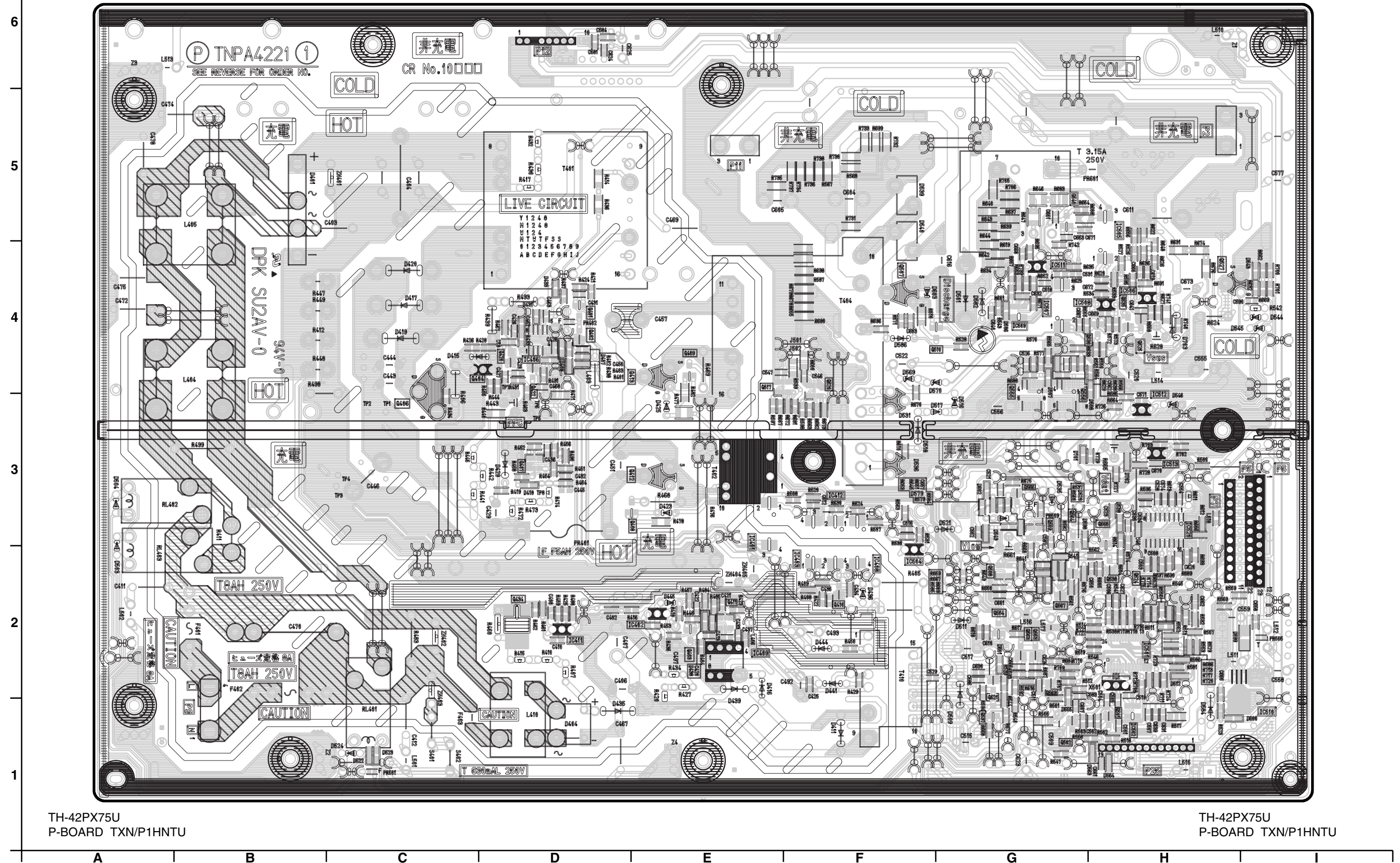
4. Explain the Hotel mode setup menu

item	Function
Mode	Select hotel mode ON/OFF
Input	Select input signal modes. Set the input, when each time power is switched on. Selection: -/RF/COMP1/COMP2/HDMI1/HDMI2/VIDEO1/VIDEO2 • Off: give priority to a last memory.
Channel	Select channel when input signal is RF. Set the channel, each time power is switched on. Selection: Any channel number or "-". "- " means the channel when turns off.
Volume	Adjust the volume when each time power is switched on. Range: 0 to 63
Vol. Max	Adjust maximum volume. Range: 0 to 63
OSD Ctrl	Restrict the OSD. Selection: OFF/PATTERN1 • OFF: No restriction • PATTERN1: restriction
FP Ctrl	Select front key conditions. Selection: Off/Pattern1/All • Off: altogether valid. • Pattern: only input key is valid. • All: altogether invalid.
Pow Ctrl	Select POWER-ON/OFF condition when AC power cord is disconnected and then connected. OFF: The same condition when AC power cord is disconnected. ON: Forced power ON condition.

14 Conductor Views

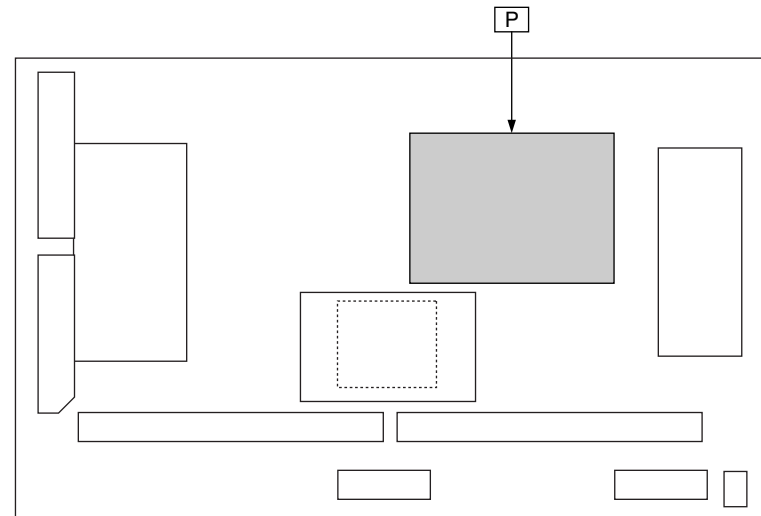
14.1. P-Board

P-BOARD (FOIL SIDE)
TXN/P1HNTU



TH-42PX75U
P-BOARD TXN/P1HNTU

TH-42PX75U
P-BOARD TXN/P1HNTU



Parts Location

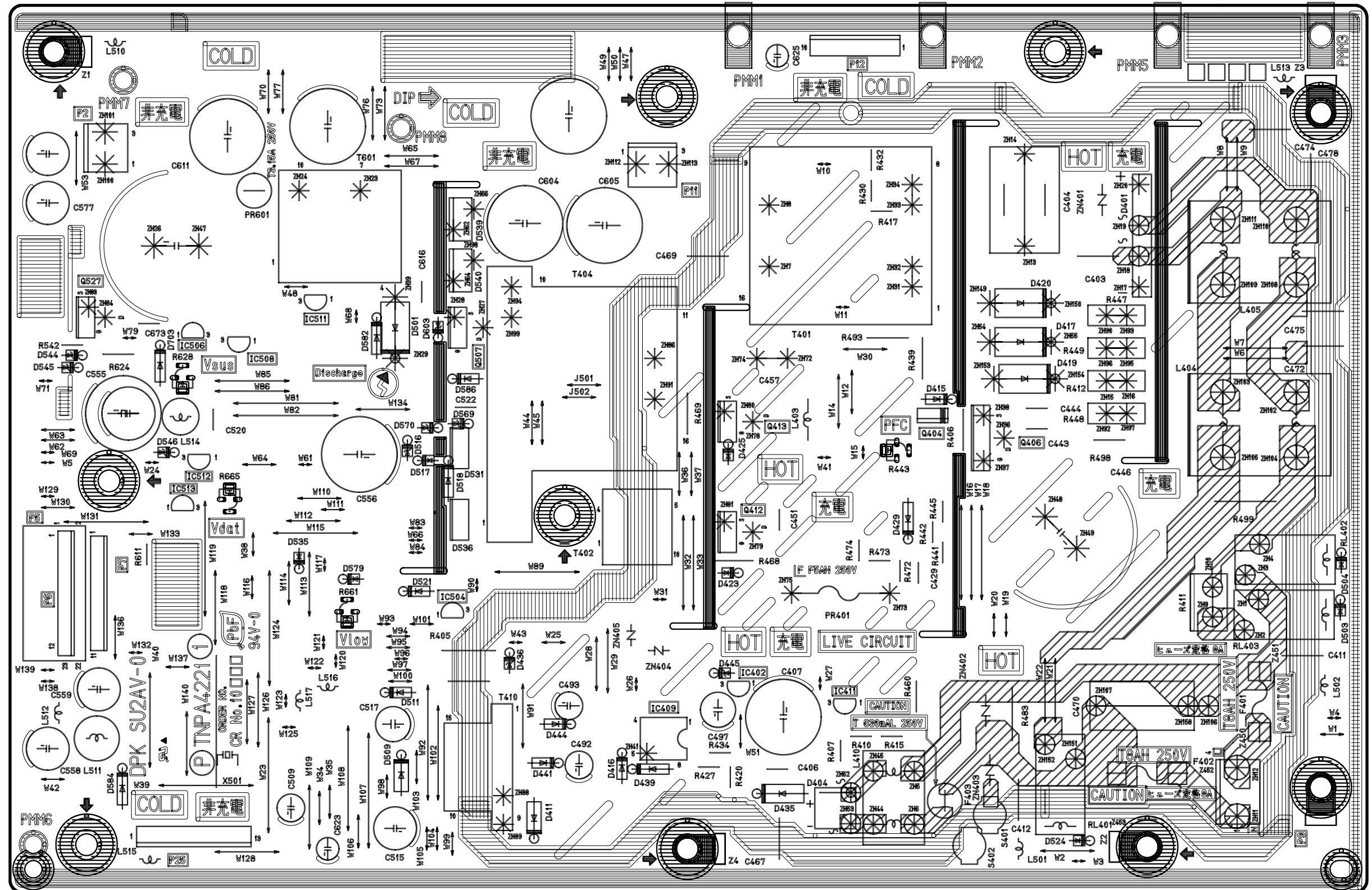
P-BOARD (FOIL SIDE)					
IC		TRANSISTOR		VOLUME	
IC401	E-2	Q401	D-4	Q535	H-4
IC402	E-2	Q402	D-4	Q537	G-1
IC403	F-2	Q403	E-2	Q538	H-2
IC406	D-4	Q404	D-4	Q540	G-5
IC408	F-2	Q406	C-3	Q541	G-2
IC409	E-2	Q407	D-3	Q553	G-2
IC411	D-2	Q408	E-3	Q554	G-2
IC412	F-3	Q409	E-4	Q555	G-3
IC501	H-2	Q410	F-2	Q556	G-3
IC502	H-1	Q411	E-2	Q563	G-2
IC504	F-2	Q412	E-3	Q564	G-3
IC505	H-5	Q413	E-4	Q565	H-3
IC506	H-4	Q420	D-4	Q566	G-3
IC507	G-4	Q422	D-3	Q567	G-2
IC508	H-4	Q434	D-2	Q569	G-2
IC509	G-4	Q501	H-1	VOLUME	
IC510	I-1	Q502	G-1	R443	C-3
IC511	G-4	Q507	F-4	R661	G-2
IC512	H-3	Q508	G-2	R665	H-3
IC513	H-3	Q509	G-3		
IC520	H-3	Q510	G-4		
		Q517	E-4		
		Q520	F-4		
		Q521	G-1		
		Q524	H-2		
		Q525	H-4		
		Q527	H-4		
		Q530	H-4		

Parts Location

P-BOARD (COMPONENT SIDE)					
IC		TRANSISTOR		VOLUME	
IC402	E-2	Q404	F-3	R443	F-3
IC409	E-2	Q406	G-3	R661	C-2
IC411	F-2	Q412	E-3	R665	B-3
IC504	D-2	Q413	E-4		
IC506	B-4	Q507	D-4		
IC508	B-4	Q527	A-4		
IC511	C-4				
IC512	B-3				
IC513	B-3				

P-BOARD (COMPONENT SIDE)
TXN/P1HNTU

6
5
4
3
2
1



TH-42PX75U
P-BOARD TXN/P1HNTU

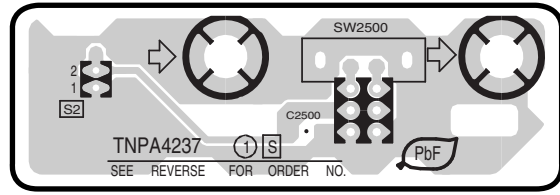
TH-42PX75U
P-BOARD TXN/P1HNTU

A B C D E F G H I

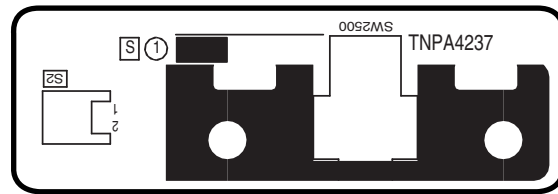
14.2. GS, K and S-Board

6
5
4
3
2
1

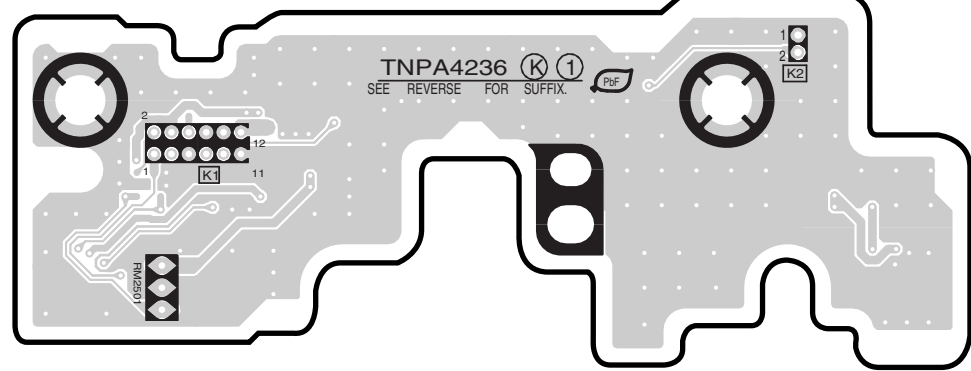
S-BOARD (FOIL SIDE)
TNPA4237S



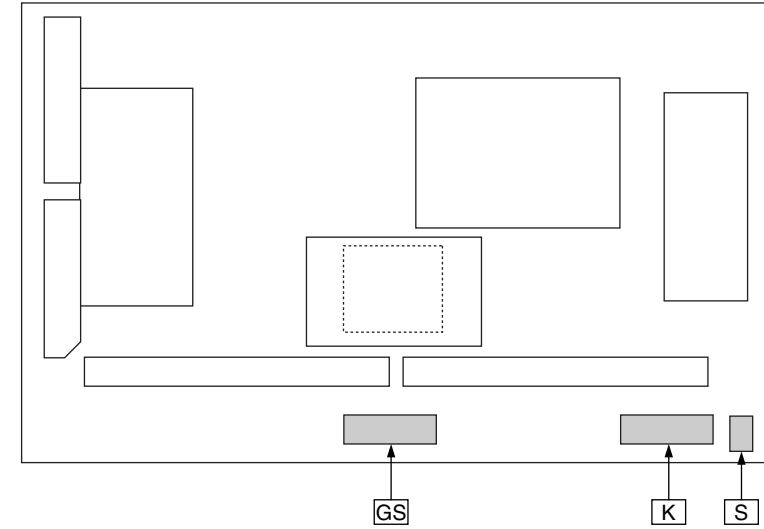
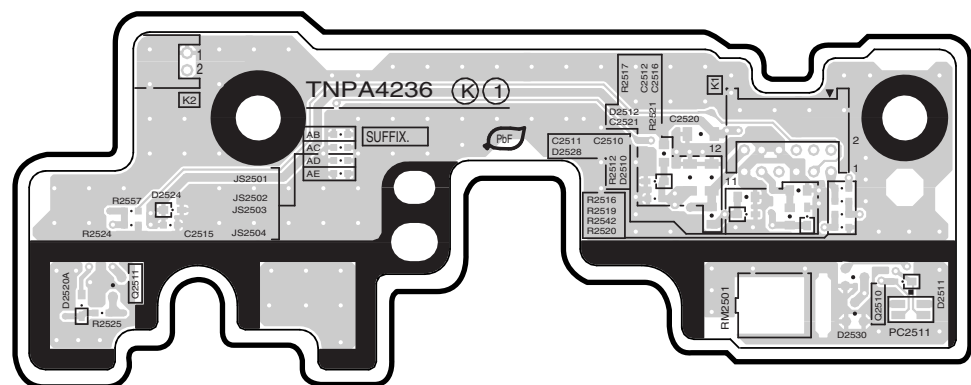
S-BOARD (COMPONENT SIDE)
TNPA4237S



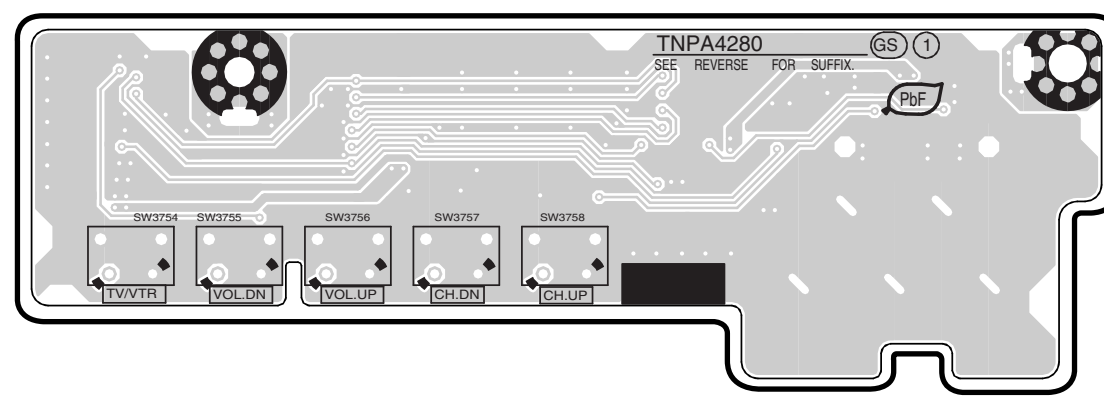
K-BOARD (FOIL SIDE)
TNPA4236S



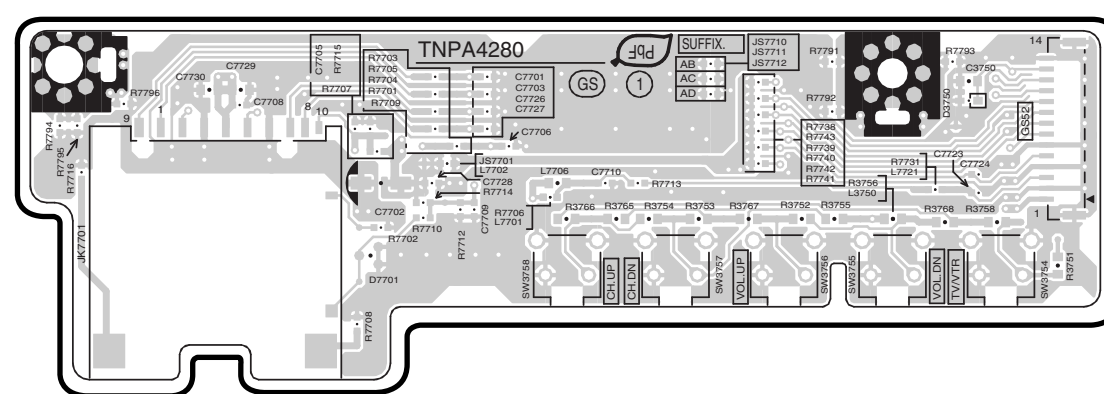
K-BOARD (COMPONENT SIDE)
TNPA4236S



GS-BOARD (FOIL SIDE)
TNPA4280S



GS-BOARD (COMPONENT SIDE)
TNPA4280S



TH-42PX75U
S-BOARD TNPA4237S
K-BOARD TNPA4236S
GS-BOARD TNPA4280S

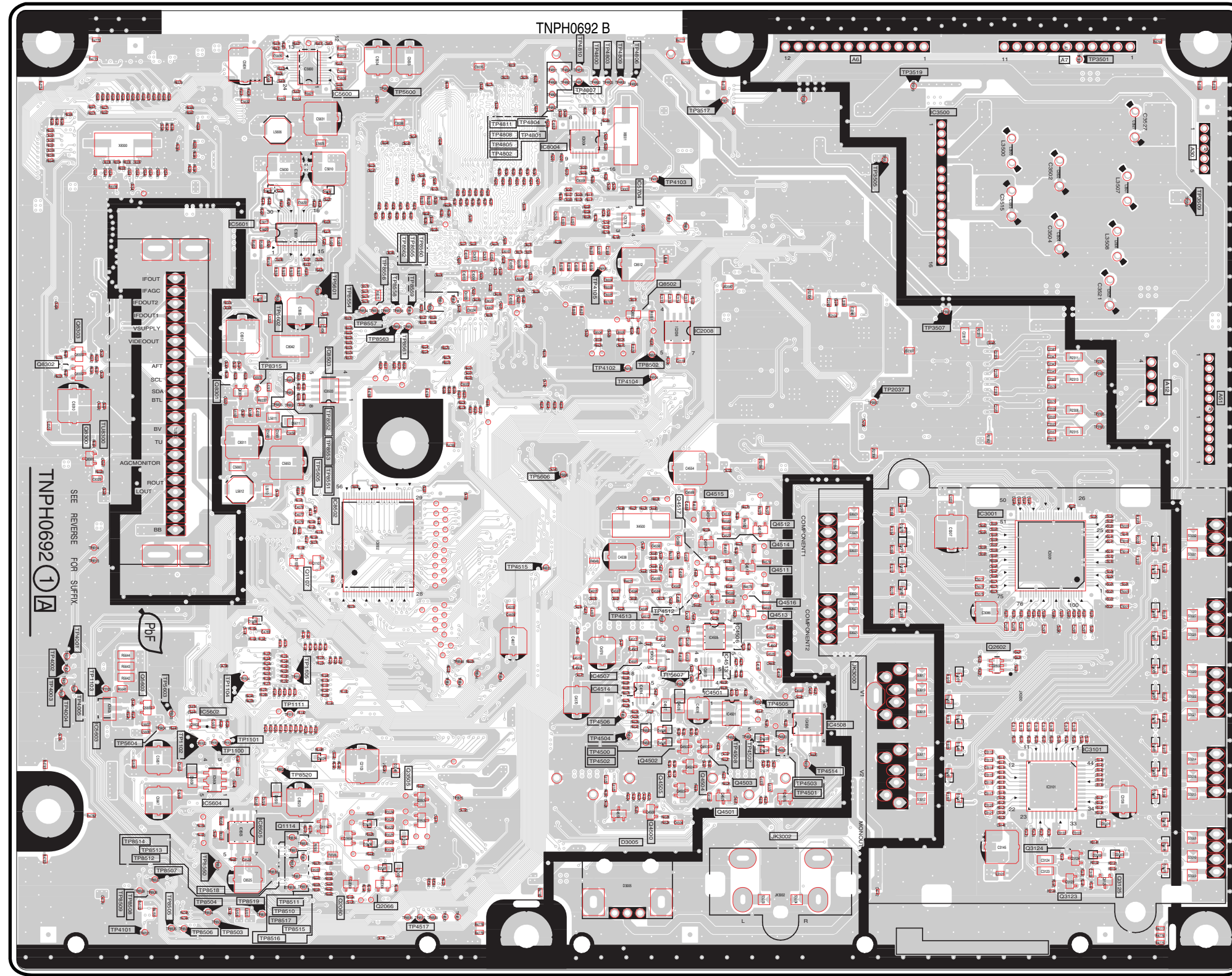
TH-42PX75U
S-BOARD TNPA4237S
K-BOARD TNPA4236S
GS-BOARD TNPA4280S

A B C D E F G H I

14.3. A-Board

A-BOARD (FOIL SIDE)
TNPH0692ABS

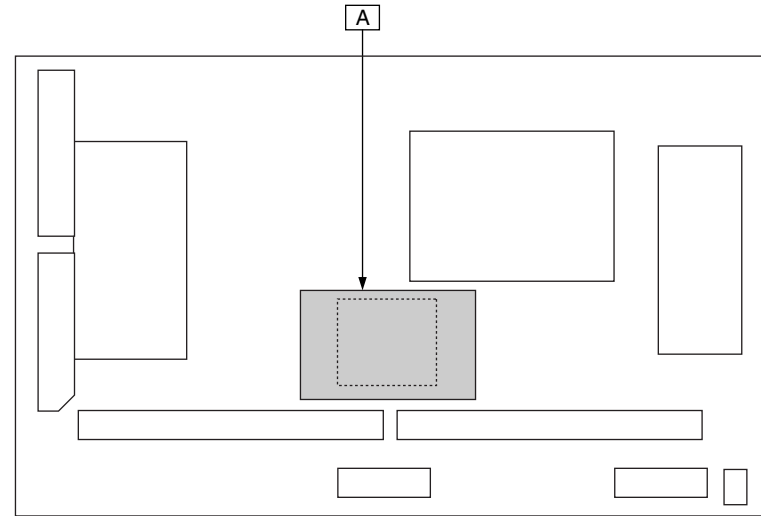
6
5
4
3
2
1



TH-42PX75U
A-BOARD TNPH0692ABS

TH-42PX75U
A-BOARD TNPH0692ABS

A B C D E F G H



Parts Location

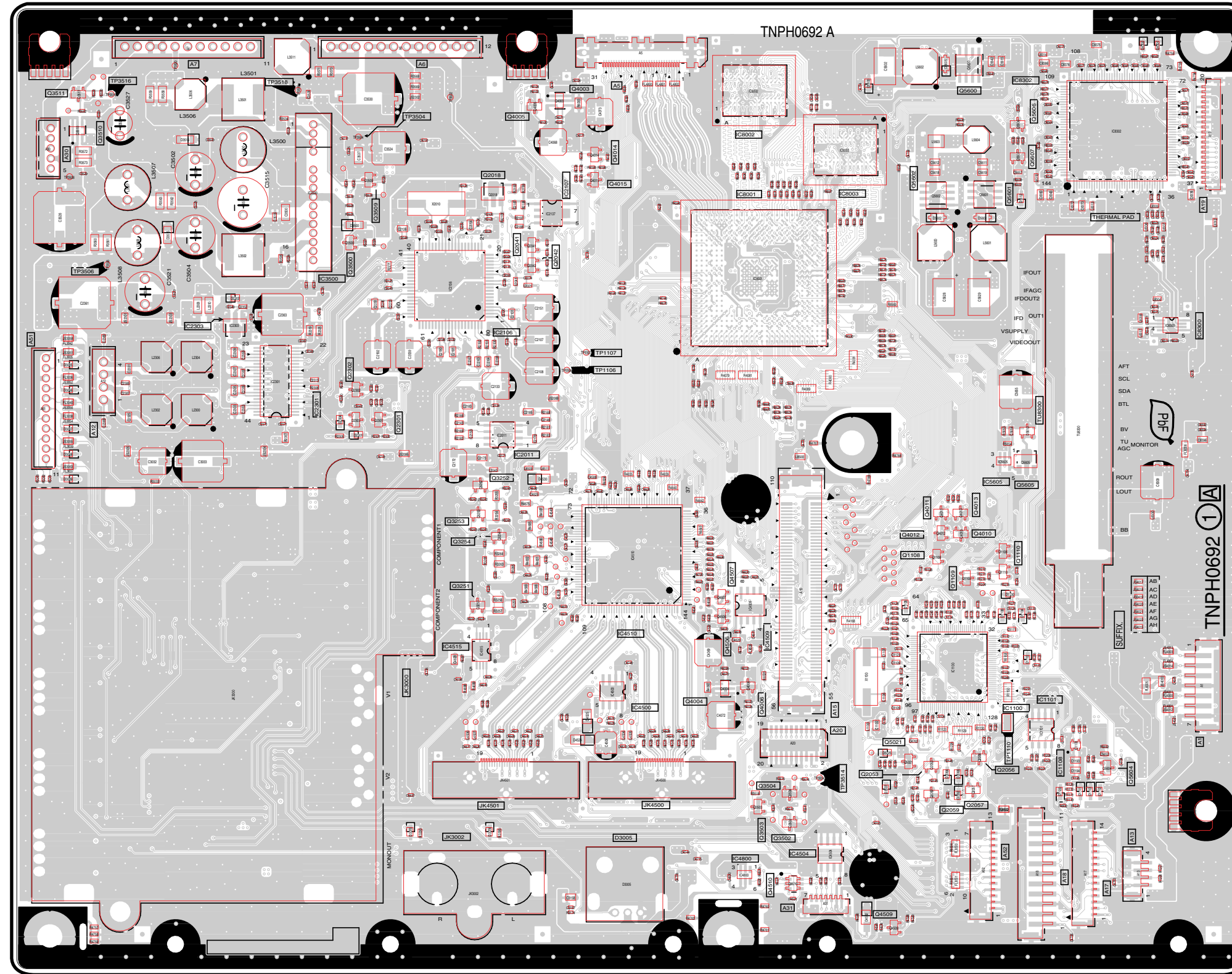
A-BOARD (FOIL SIDE)									
IC	TRANSISTOR			TP		TP4512	E-3	TP8511	C-1
IC2008	E-4	Q1107	C-3	TP1100	C-2	TP4513	E-3	TP8512	B-1
IC3001	G-3	Q1114	C-2	TP1101	C-2	TP4514	F-2	TP8513	B-2
IC3101	G-2	Q2060	C-1	TP1102	B-2	TP4515	D-3	TP8514	B-2
IC4501	E-2	Q2066	C-1	TP1103	B-2	TP4517	D-1	TP8515	C-1
IC4506	E-3	Q2602	G-3	TP1104	C-2	TP4800	E-6	TP8516	C-1
IC4507	E-2	Q3123	G-1	TP1105	C-2	TP4801	D-5	TP8517	C-1
IC4508	F-2	Q3124	G-2	TP1111	C-2	TP4802	D-5	TP8518	C-1
IC4513	E-2	Q3125	G-1	TP2037	F-4	TP4803	E-6	TP8519	C-1
IC4514	E-2	Q3505	D-2	TP3501	G-6	TP4804	D-5	TP8520	C-2
IC5600	C-6	Q4500	E-2	TP3505	F-5	TP4805	D-5	TP8550	C-1
IC5601	C-5	Q4501	E-2	TP3507	F-4	TP4806	E-6	TP8551	C-4
IC5602	C-2	Q4502	E-2	TP3509	H-5	TP4807	E-6	TP8552	C-4
IC5603	B-2	Q4503	E-2	TP3517	E-6	TP4808	D-5	TP8553	C-4
IC5604	C-2	Q4504	E-2	TP3519	F-6	TP4809	E-6	TP8554	C-4
IC5704	E-5	Q4505	E-2	TP4001	B-3	TP4810	E-6	TP8555	D-5
IC8004	D-5	Q4511	F-3	TP4002	B-2	TP4811	D-5	TP8556	C-5
IC8502	C-3	Q4512	F-3	TP4003	B-2	TP5600	D-6	TP8557	C-4
IC8503	C-4	Q4513	F-3	TP4004	B-2	TP5601	C-4	TP8558	D-4
IC8505	C-2	Q4514	F-3	TP4005	B-2	TP5602	C-4	TP8559	D-4
		Q4515	E-3	TP4101	B-1	TP5603	B-2	TP8560	D-5
		Q4516	F-3	TP4102	E-4	TP5604	B-2	TP8561	D-4
		Q4517	E-3	TP4103	E-5	TP5605	C-4	TP8562	D-5
		Q5603	B-2	TP4104	E-4	TP5606	D-4	TP8563	D-4
		Q8300	B-4	TP4105	E-5	TP5607	E-2		
		Q8301	C-4	TP4500	E-2	TP8315	C-4		
		Q8302	B-4	TP4501	F-2	TP8502	E-4		
		Q8303	B-4	TP4502	E-2	TP8503	C-1		
		Q8502	E-4	TP4503	F-2	TP8504	C-1		
				TP4504	E-2	TP8505	B-1		
				TP4505	F-2	TP8506	B-1		
				TP4506	E-2	TP8507	B-1		
				TP4507	E-2	TP8508	B-1		
				TP4508	E-2	TP8509	B-1		
						TP8510	C-1		

Parts Location

A-BOARD (COMPONENT SIDE)									
IC	TRANSISTOR			TP	TP	TP	TP	TP	TP
IC1100	G-2	Q1108	F-3	Q4003	E-6	TP1106	E-4		
IC1101	G-2	Q1109	G-3	Q4004	E-2	TP1107	E-4		
IC1108	G-2	Q1110	G-3	Q4005	D-5	TP1110	G-2		
IC2011	D-4	Q2018	D-5	Q4010	G-3	TP3504	D-6		
IC2106	D-4	Q2041	D-5	Q4011	F-3	TP3506	B-5		
IC2107	D-5	Q2042	D-5	Q4012	F-3	TP3514	F-2		
IC2301	C-4	Q2053	F-2	Q4013	G-3	TP3516	B-6		
IC2303	C-4	Q2056	G-2	Q4014	E-5	TP3518	C-6		
IC3500	C-5	Q2057	G-2	Q4015	E-5				
IC4500	E-2	Q2059	G-2	Q4506	E-3				
IC4504	F-1	Q2301	D-4	Q4507	E-3				
IC4509	F-3	Q2302	B-4	Q4509	F-1				
IC4510	E-3	Q3251	D-3	Q4510	F-1				
IC4515	D-3	Q3252	D-3	Q5021	F-2				
IC4800	E-1	Q3253	D-3	Q5600	G-6				
IC5605	G-3	Q3254	D-3	Q5601	G-5				
IC8001	E-5	Q3500	B-5	Q5602	F-5				
IC8002	E-5	Q3502	F-2	Q5604	G-2				
IC8003	F-5	Q3503	F-2	Q5605	G-3				
IC8300	H-4	Q3504	F-2	Q5606	G-5				
IC8302	G-6	Q3509	B-5	Q5607	G-5				
		Q3510	A-5						
		Q3511	A-6						

A-BOARD (COMPONENT SIDE) TNP0692ABS

6
5
4
3
2
1



TH-42PX75U
A-BOARD TNP0692ABS

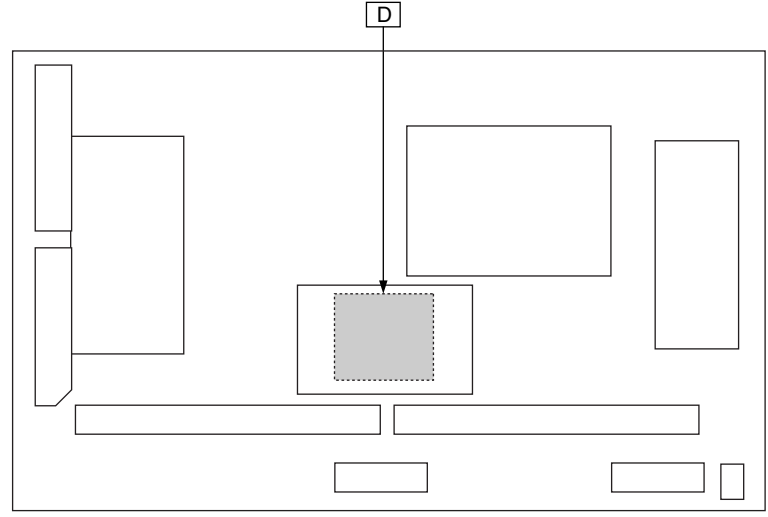
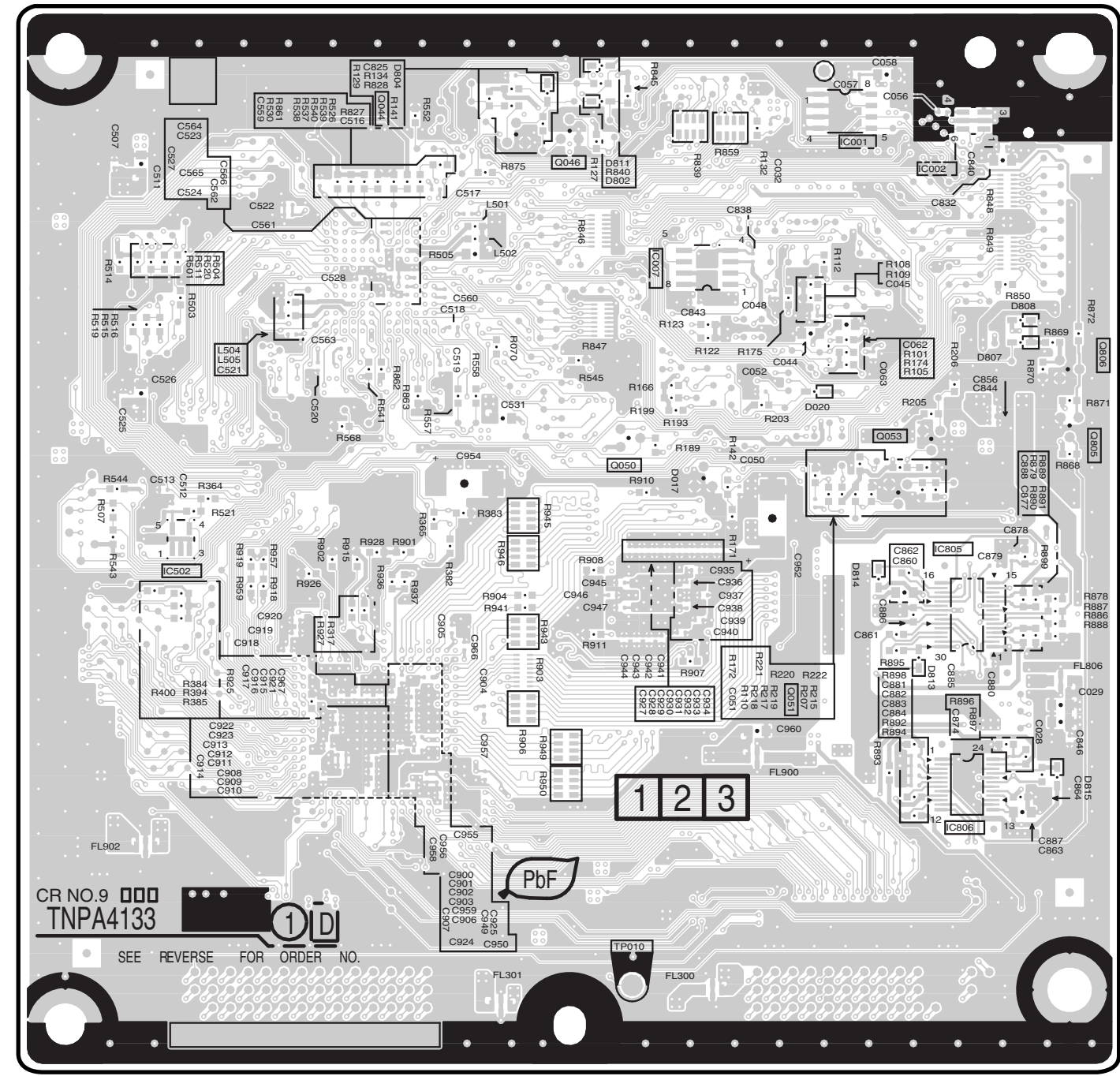
TH-42PX75U
A-BOARD TNP0692ABS

A B C D E F G H

14.4. D-Board

6
5
4
3
2
1

**D-BOARD (FOIL SIDE)
TZTNP01LPTU**



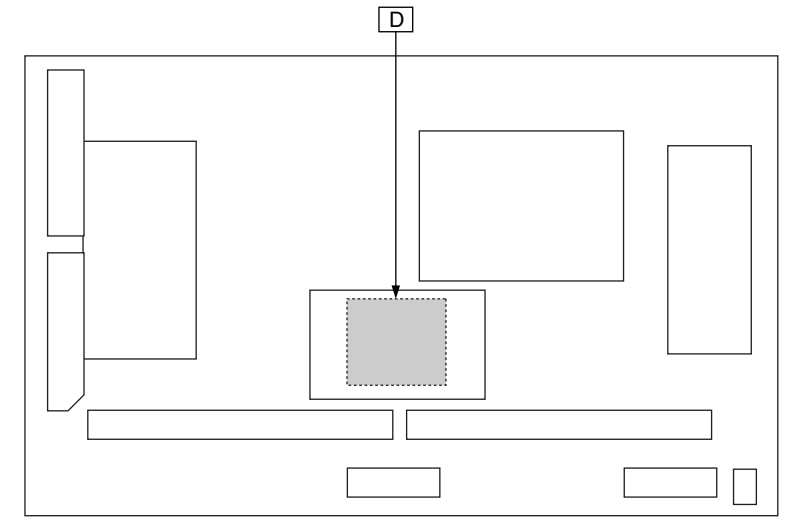
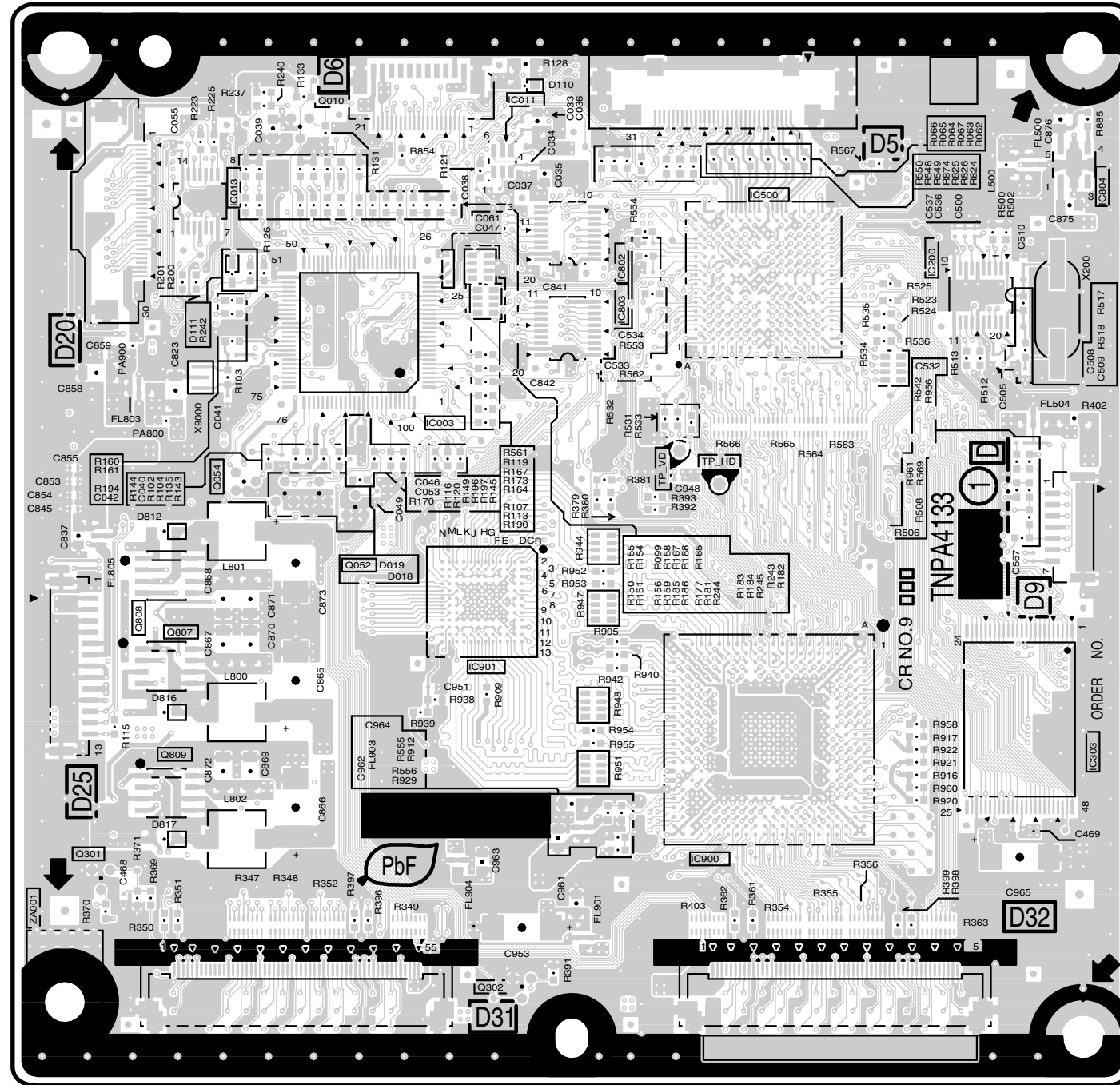
Parts Location

D-BOARD (FOIL SIDE)			
IC	TRANSISTOR		
IC9001	E-5	Q9044	C-5
IC9002	E-5	Q9046	C-5
IC9007	D-5	Q9050	D-4
IC9502	B-3	Q9051	D-3
IC9805	E-3	Q9053	E-4
IC9806	E-2	Q9805	F-4
		Q9806	F-4
TEST POINT			
TP010	C-2		

A B C D E F G H I

6
5
4
3
2
1

**D-BOARD (COMPONENT SIDE)
TZTNP01LPTU**



Parts Location

D-BOARD (COMPONENT SIDE)			
IC	TRANSISTOR		
	IC9003	C-4	Q9010
IC9011	C-5	Q9052	C-3
IC9013	B-5	Q9054	B-4
IC9200	E-5	Q9301	A-2
IC9303	E-3	Q9302	C-2
IC9500	D-5	Q9807	B-3
IC9802	D-5	Q9808	B-3
IC9803	D-5	Q9809	B-3
IC9804	E-5	TP	
IC9900	D-3		
IC9901	C-3	TP-HD	D-4
		TP-VD	D-4

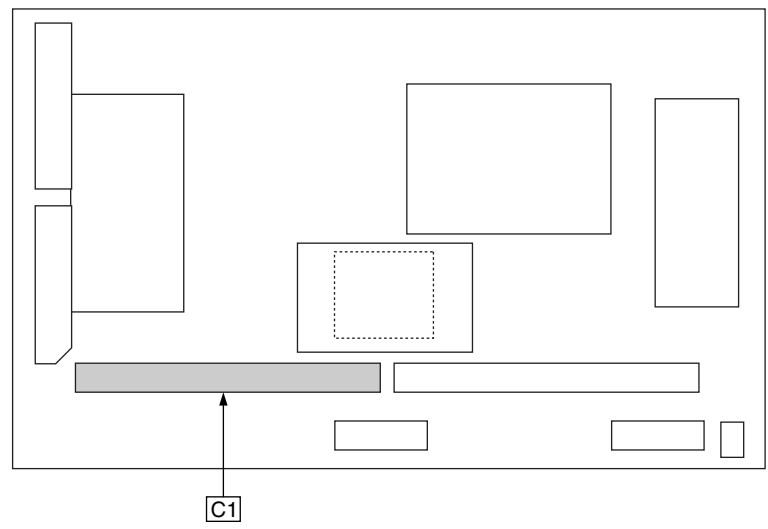
A B C D E F G H I

14.5. C1-Board

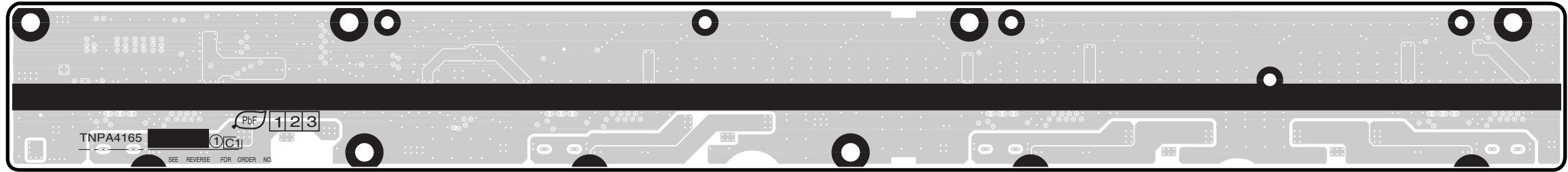
6
5
4
3
2
1

Parts Location

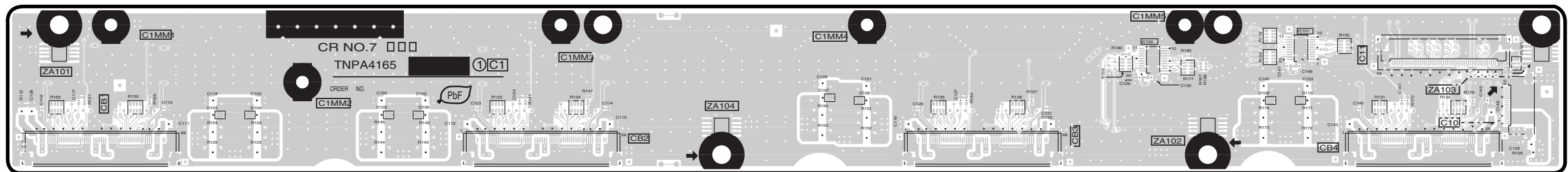
C1-BOARD	
IC	
IC7101	G-2
IC7102	G-2



**C1-BOARD (FOIL SIDE)
TXNC11HNTU**



**C1-BOARD (COMPONENT SIDE)
TXNC11HNTU**



TH-42PX75U
C1-BOARD TXNC11HNTU

TH-42PX75U
C1-BOARD TXNC11HNTU

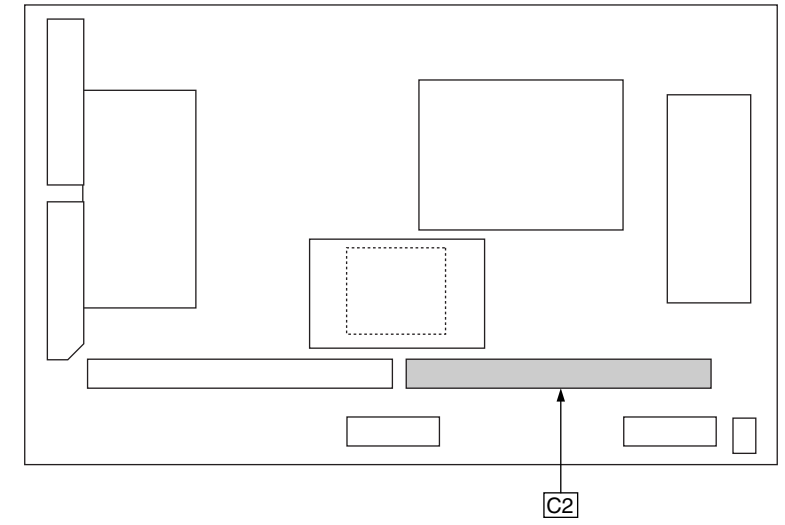
A B C D E F G H I

14.6. C2-Board

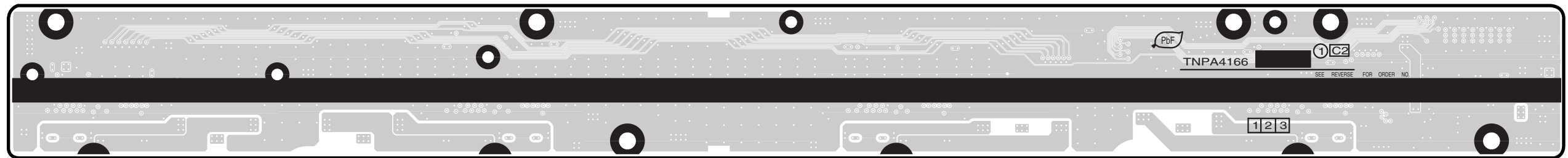
6
5
4
3
2
1

Parts Location

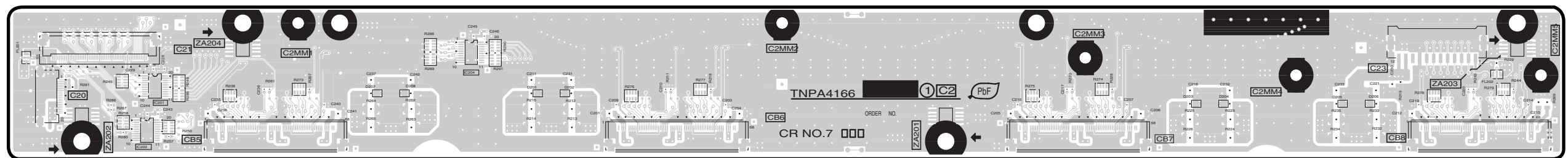
C2-BOARD	
IC	
IC7201	B-1
IC7202	B-2
IC7204	C-2



**C2-BOARD (FOIL SIDE)
TXNC21HNTU**



**C2-BOARD (COMPONENT SIDE)
TXNC21HNTU**



TH-42PX75U
C2-BOARD TXNC21HNTU

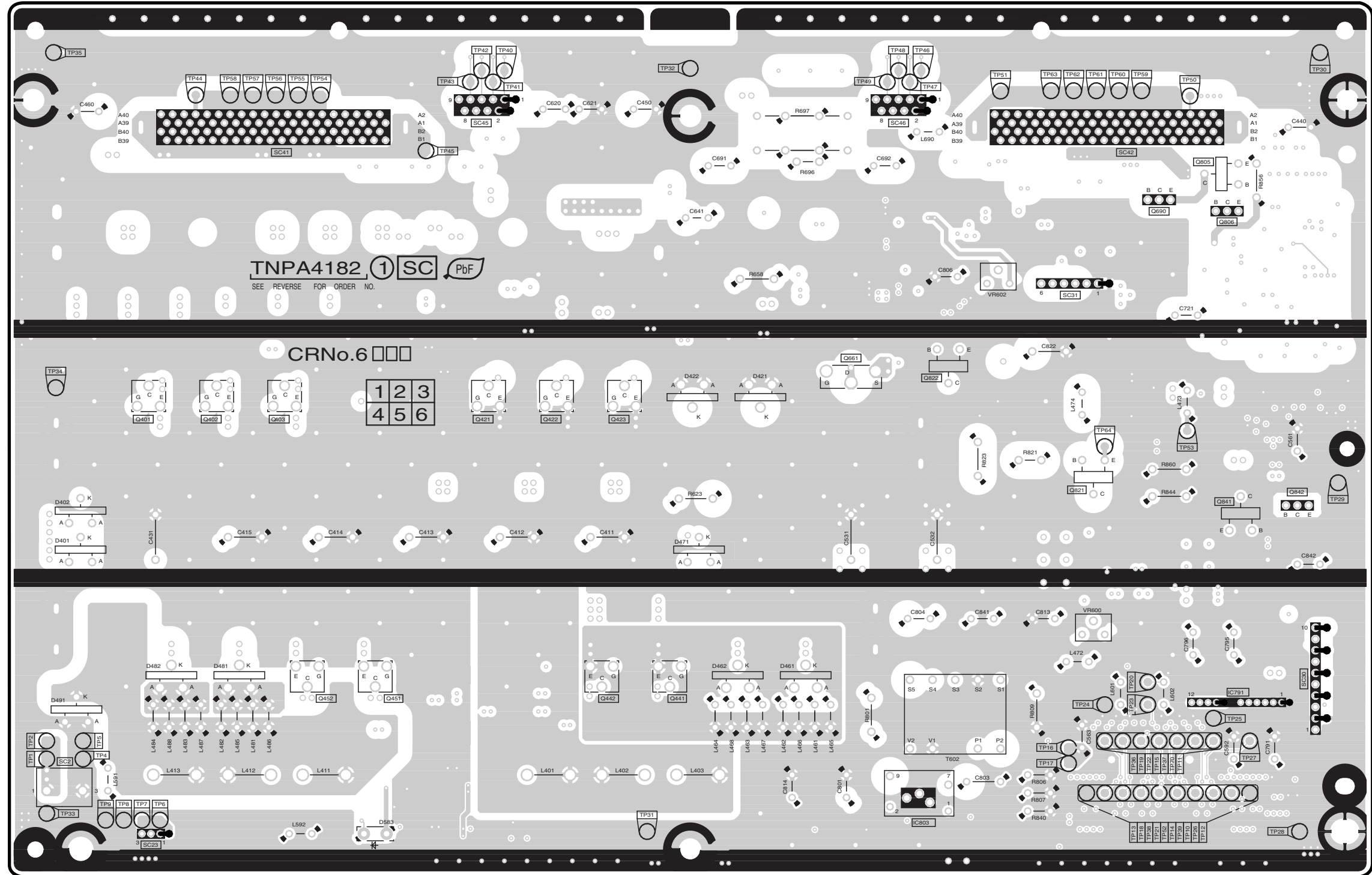
TH-42PX75U
C2-BOARD TXNC21HNTU

A B C D E F G H I

14.7. SC-Board

6
5
4
3
2
1

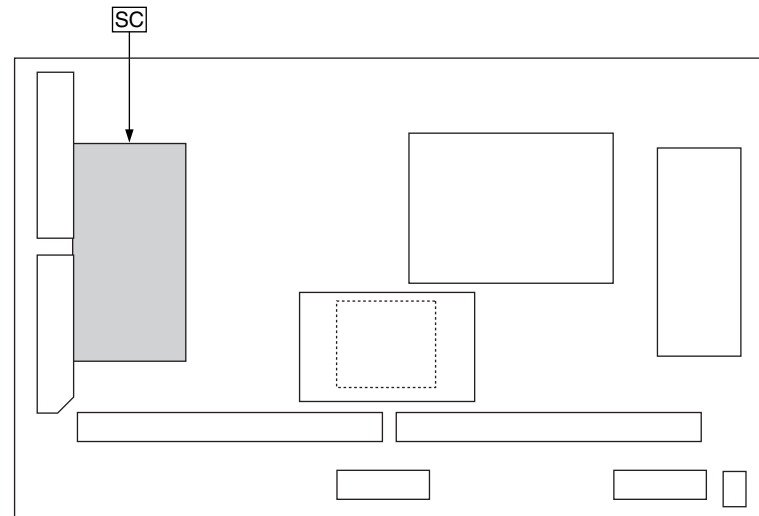
SC-BOARD (FOIL SIDE)
TXNSC1HNTU



TH-42PX75U
SC-BOARD TXNSC1HNTU

TH-42PX75U
SC-BOARD TXNSC1HNTU

A B C D E F G H



Parts Location

SC-BOARD (FOIL SIDE)					
TRANSISTOR		TP		TP41	D-5
IC6791	H-2	TP1	A-2	TP42	D-5
IC6803	F-1	TP2	A-2	TP43	D-5
TRANSISTOR		TP4	B-2	TP44	B-5
Q6401	B-4	TP5	B-2	TP45	D-5
Q6402	B-4	TP6	B-1	TP46	F-5
Q6403	C-4	TP7	B-1	TP47	F-5
Q6421	D-4	TP8	B-1	TP48	F-5
Q6422	D-4	TP9	B-1	TP49	F-5
Q6423	E-4	TP10	H-1	TP50	H-5
Q6441	E-2	TP11	H-2	TP51	G-5
Q6442	E-2	TP12	H-1	TP52	H-1
Q6451	C-2	TP13	G-1	TP53	H-3
Q6452	C-2	TP14	H-1	TP54	C-5
Q6661	F-4	TP15	H-2	TP55	C-5
Q6690	H-5	TP16	G-2	TP56	C-5
Q6805	H-5	TP17	G-2	TP57	C-5
Q6806	H-5	TP18	G-1	TP58	B-5
Q6821	G-3	TP19	G-2	TP59	G-5
Q6822	F-4	TP20	G-2	TP60	G-5
Q6841	H-3	TP21	G-1	TP61	G-5
Q6842	H-3	TP22	G-2	TP62	G-5
		TP23	G-2	TP63	G-5
		TP24	G-2	TP64	G-3
		TP25	H-2	TP70	H-2
		TP26	H-1	VOLUME	
		TP27	H-2	VR6600	G-2
		TP28	H-1	VR6602	G-4
		TP29	H-3		
		TP30	H-5		
		TP31	E-1		
		TP32	E-5		
		TP33	A-1		
		TP34	A-4		
		TP35	A-5		
		TP36	G-2		
		TP37	H-2		
		TP38	G-1		
		TP39	H-1		
		TP40	D-5		

TH-42PX75U
SC-BOARD PARTS LOCATION

Parts Location

SC-BOARD (COMPONENT SIDE)							
IC		PHOTO COUPLER		Q6642	F-5	TP	
IC6471	B-4	PC6480	B-4	Q6643	F-5	TP15V	G-1
IC6472	B-3	PC6701	A-4	Q6644	G-5	TPSC1	D-5
IC6501	G-4	PC6702	A-4	Q6645	G-5	TPSOS6	C-2
IC6521	F-2	PC6704	A-4	Q6646	G-5	TPSOS7	B-2
IC6561	C-1	PC6705	B-4	Q6647	H-5	TPVDA	C-2
IC6562	B-1	PC6801	C-2	Q6648	H-5	TPVSCN	B-3
IC6581	F-1	PC6861	B-4	Q6661	D-4	TPVSET	C-4
IC6671	E-4	PC6871	B-2	Q6662	C-4	TPVSET2	B-4
IC6721	A-5			Q6665	D-4	TPVSUS	H-1
IC6722	A-4	TRANSISTOR		Q6671	E-5	VOLUME	
IC6724	C-5	Q6401	H-4	Q6672	F-4	VR6600	C-2
IC6725	C-5	Q6402	H-4	Q6679	E-5	VR6602	C-4
IC6752	D-4	Q6403	G-4	Q6680	E-5		
IC6771	C-5	Q6421	F-4	Q6690	B-5		
IC6772	C-5	Q6422	F-4	Q6742	B-4		
IC6773	C-4	Q6423	F-4	Q6743	B-4		
IC6774	C-4	Q6424	E-4	Q6762	F-4		
IC6791	B-2	Q6441	E-2	Q6781	F-5		
IC6801	C-2	Q6442	E-2	Q6782	F-5		
IC6802	B-2	Q6451	G-1	Q6791	C-3		
IC6803	D-1	Q6452	G-1	Q6801	D-1		
IC6821	C-4	Q6501	G-4	Q6802	D-1		
IC6841	B-3	Q6502	G-4	Q6805	B-5		
IC6861	B-4	Q6521	F-4	Q6806	B-5		
IC6871	C-3	Q6522	F-4	Q6821	C-3		
		Q6531	F-2	Q6822	D-4		
		Q6532	F-2	Q6824	B-3		
		Q6551	G-1	Q6841	B-3		
		Q6552	G-1	Q6842	B-3		
		Q6581	F-1				
		Q6601	E-6				
		Q6602	D-4				
		Q6603	E-6				
		Q6621	F-4				
		Q6622	G-4				

TH-42PX75U
SC-BOARD PARTS LOCATION

6

SC-BOARD (COMPONENT SIDE) TXNSC1HNTU

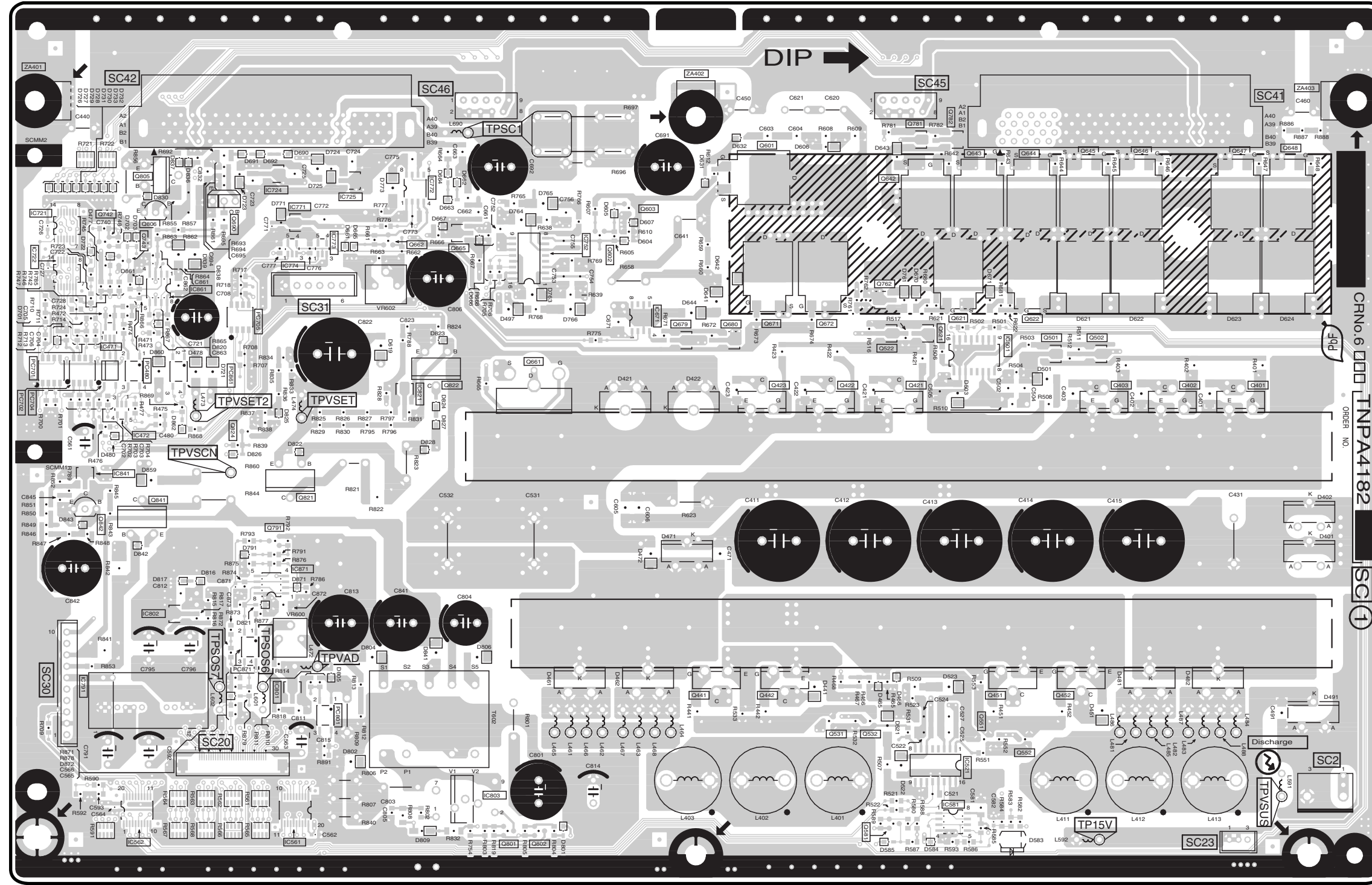
5

4

3

2

1



CRNO. 6
 ORDER NO. TNP4A182
 SC1

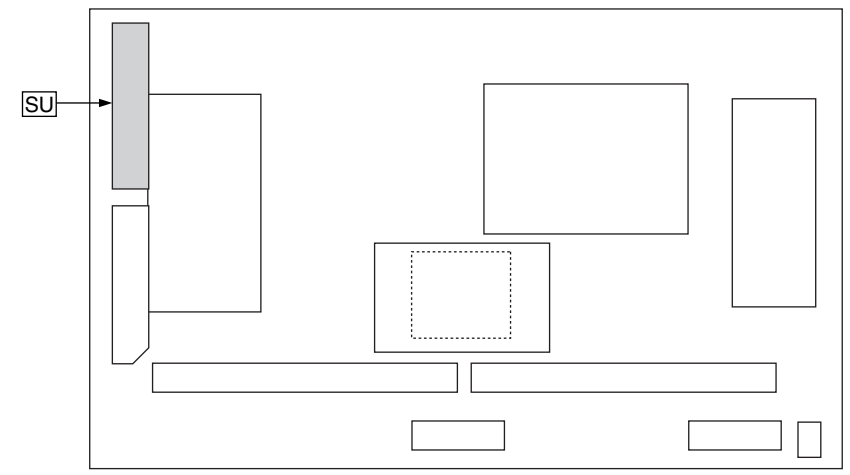
A B C D E F G H

14.8. SU-Board

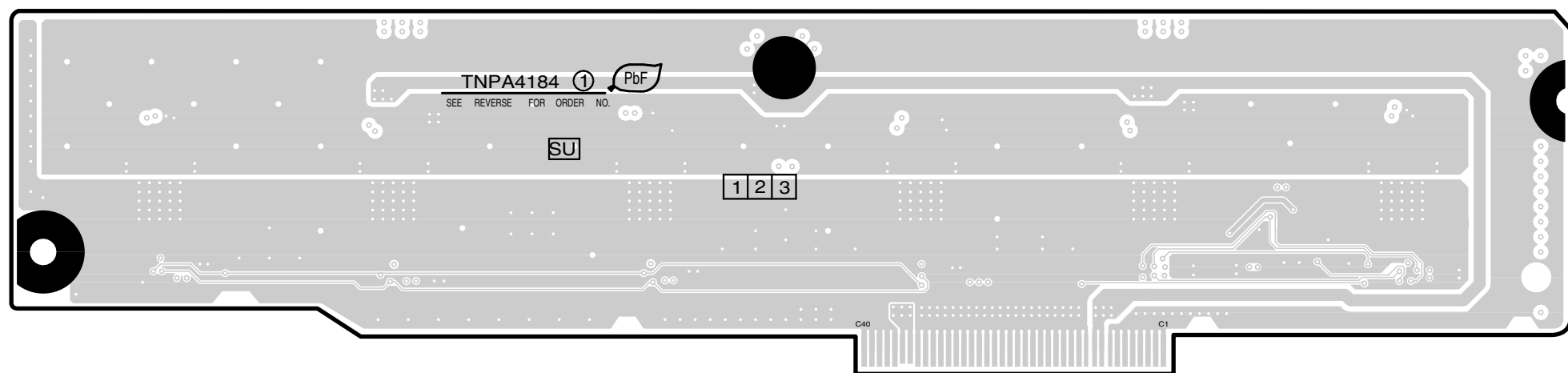
6
5
4
3
2
1

Parts Location

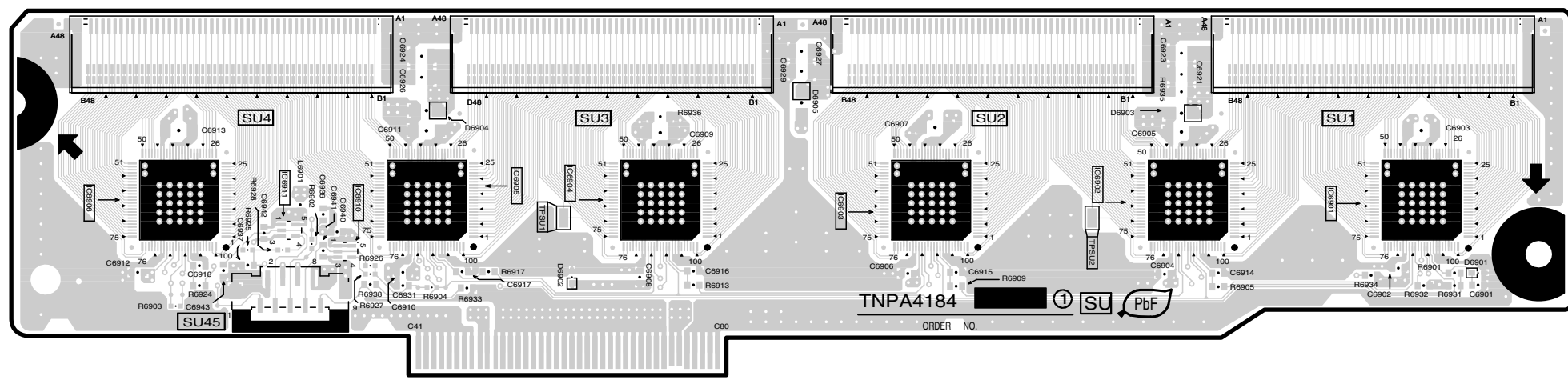
SU-BOARD	
IC	
IC6901	G-2
IC6902	F-2
IC6903	E-2
IC6904	D-2
IC6905	C-2
IC6906	B-2
IC6910	B-2
IC6911	B-2
TP	
TPSU1	C-2
TPSU2	F-2



**SU-BOARD (FOIL SIDE)
TXNSU1HNTU**



**SU-BOARD (COMPONENT SIDE)
TXNSU1HNTU**



TH-42PX75U
SU-BOARD TXNSU1HNTU

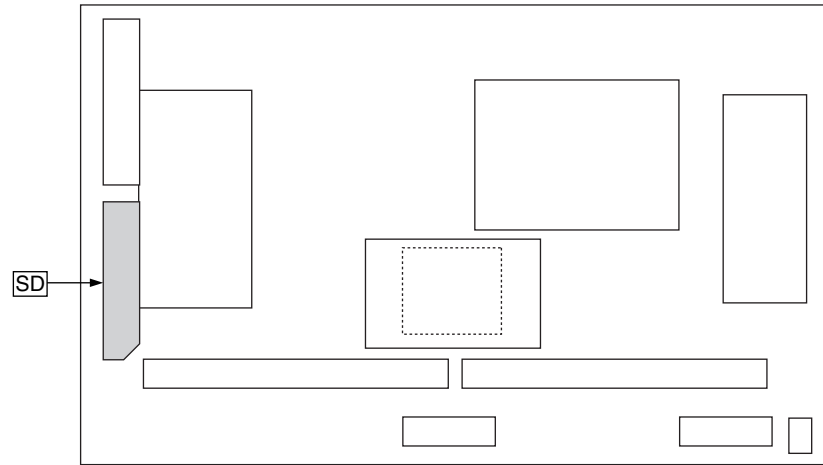
TH-42PX75U
SU-BOARD TXNSU1HNTU

A B C D E F G H I

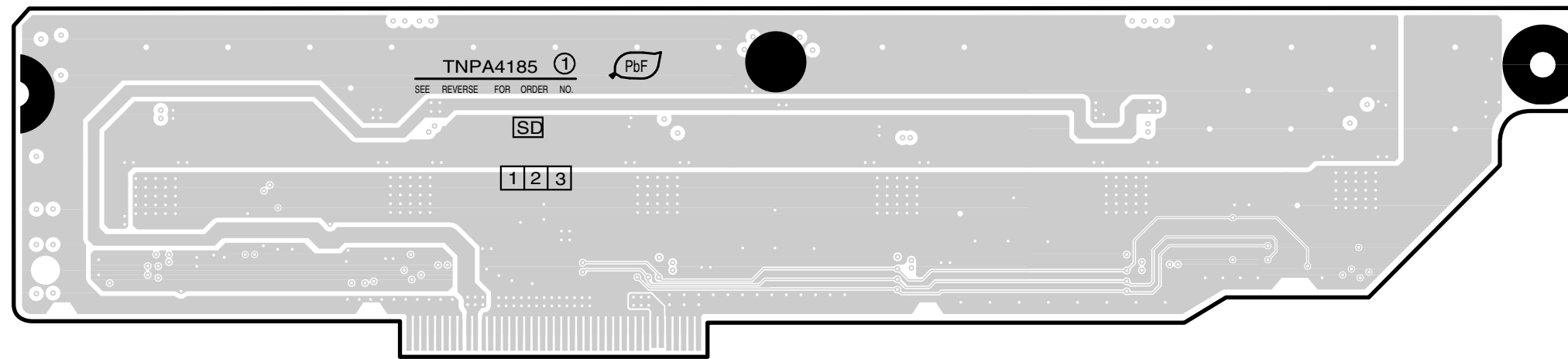
14.9. SD-Board

Parts Location

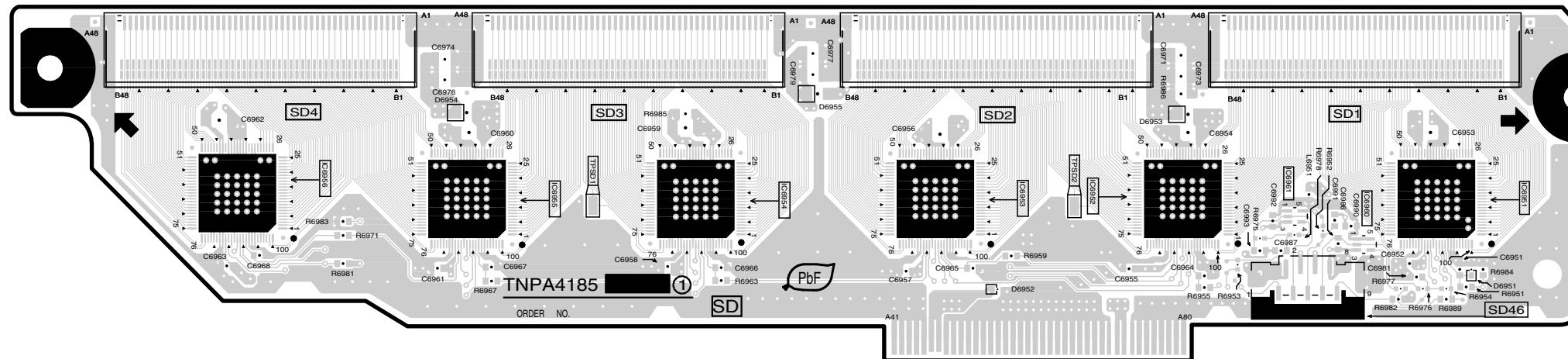
SD-BOARD	
IC	
IC6951	G-2
IC6952	F-2
IC6953	E-2
IC6954	D-2
IC6955	C-2
IC6956	B-2
IC6960	G-2
IC6961	G-2
TP	
TPSD1	D-2
TPSD2	F-2



**SD-BOARD (FOIL SIDE)
TXNSD1HNTU**



**SD-BOARD (COMPONENT SIDE)
TXNSD1HNTU**

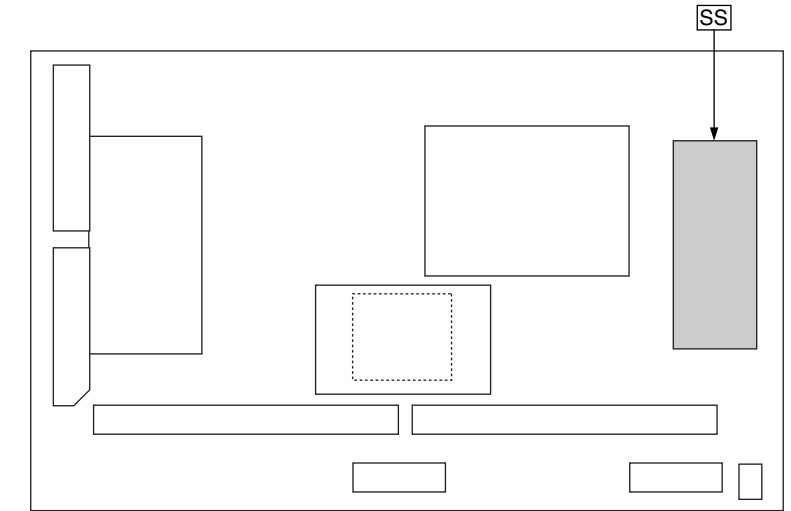


14.10. SS-Board

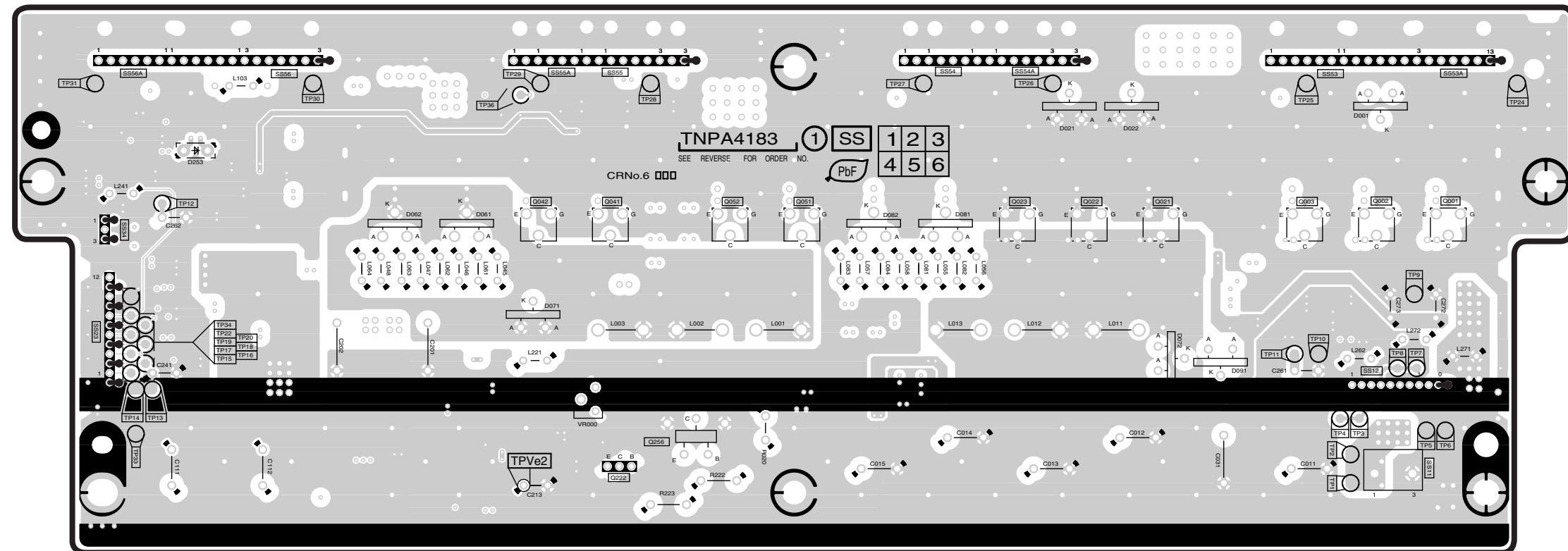
6
5
4
3
2
1

Parts Location

SS-BOARD (FOIL SIDE)							
TRANSISTOR		TP		TP22	B-2	VOLUME	
Q6001	H-3	TP1	H-1	TP24	H-3	VR6000	D-2
Q6002	H-3	TP2	H-1	TP25	G-3		
Q6003	G-3	TP3	H-1	TP26	F-3		
Q6021	G-3	TP4	H-1	TP27	F-3		
Q6022	F-3	TP5	H-1	TP28	D-3		
Q6023	F-3	TP6	H-1	TP29	D-3		
Q6041	D-3	TP7	H-2	TP30	C-3		
Q6042	D-3	TP8	H-2	TP31	B-3		
Q6051	E-3	TP9	H-2	TP33	B-2		
Q6052	E-3	TP10	G-2	TP34	B-2		
Q6222	D-1	TP11	G-2	TP36	D-3		
Q6256	D-1	TP12	B-3	TPVe2	D-1		
		TP13	B-2				
		TP14	B-2				
		TP15	B-2				
		TP16	B-2				
		TP17	B-2				
		TP18	B-2				
		TP19	B-2				
		TP20	B-2				



SS-BOARD (FOIL SIDE)
TXNSS1HNTU



TH-42PX75U
SS-BOARD TXNSS1HNTU

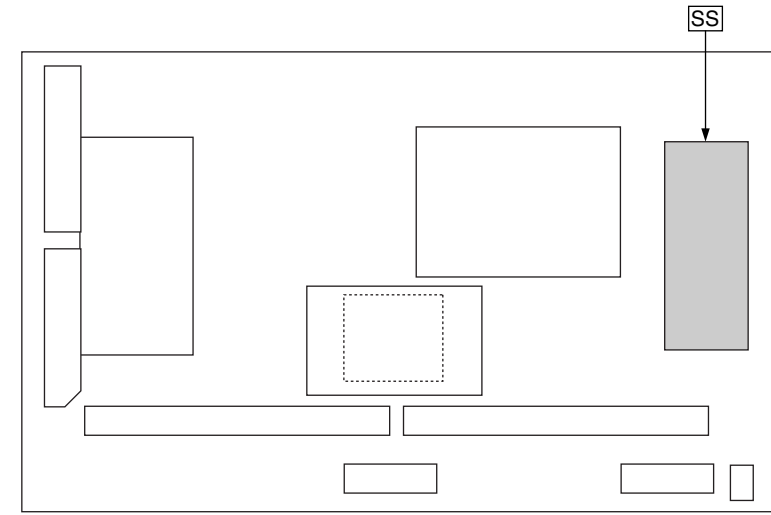
TH-42PX75U
SS-BOARD TXNSS1HNTU

A B C D E F G H I

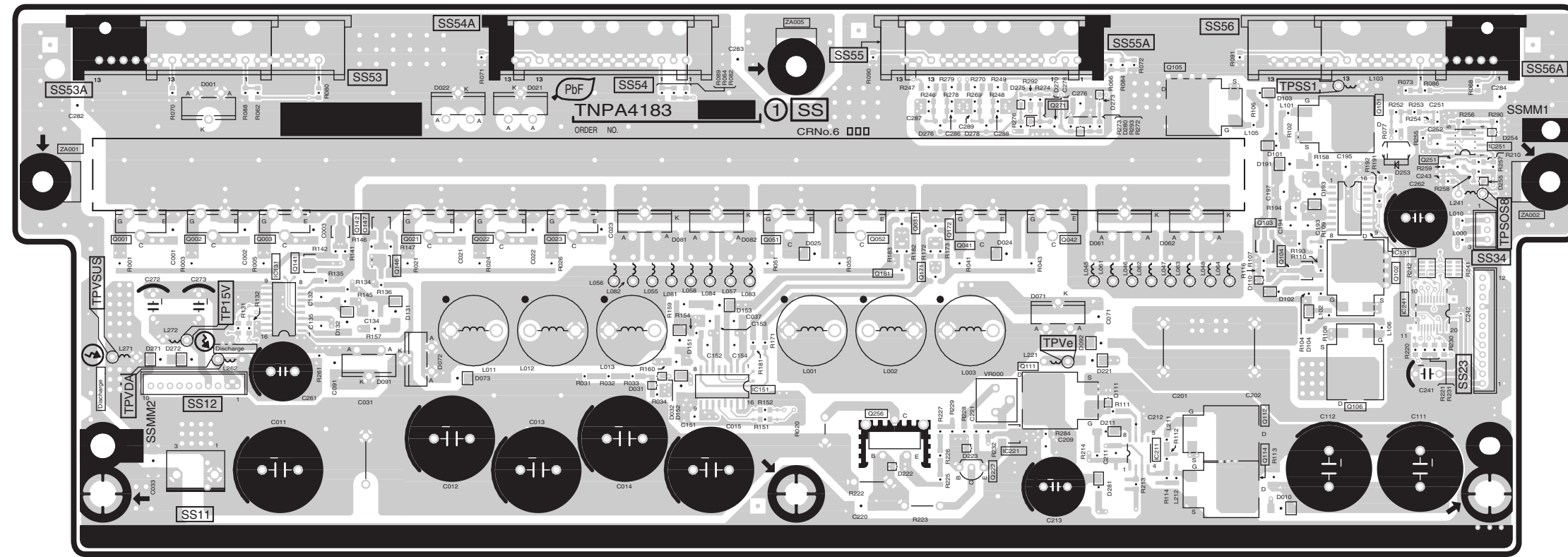
6
5
4
3
2
1

Parts Location

SS-BOARD (COMPONENT SIDE)							
IC		TRANSISTOR		Q6111 Q6112 Q6114 Q6141 Q6142 Q6146 Q6147 Q6171 Q6172 Q6181 Q6222 Q6251 Q6256 Q6271	F-2 G-1 G-1 C-2 C-2 C-2 C-2 F-2 F-2 E-2 F-1 H-3 E-2 F-3	TP	
						TP15V TPSOS8 TPSS1 TPVDA TPVe TPVSUS	B-2 H-3 G-3 B-2 F-2 B-2
IC6131	C-2	Q6001	B-2			TP15V	B-2
IC6151	E-2	Q6002	B-2			TPSOS8	H-3
IC6191	H-2	Q6003	C-2			TPSS1	G-3
IC6211	G-1	Q6021	C-2			TPVDA	B-2
IC6221	F-1	Q6022	D-2			TPVe	F-2
IC6241	H-2	Q6023	D-2			TPVSUS	B-2
IC6251	H-2	Q6031	F-2				
		Q6041	F-2				
		Q6042	F-2				
		Q6051	E-2				
		Q6052	E-2				
		Q6101	H-3				
		Q6102	H-2				
		Q6103	G-2				
		Q6104	G-2				
		Q6105	G-3				
		Q6106	H-2				
						VOLUME	
						VR6000	F-2



**SS-BOARD (COMPONENT SIDE)
TXNSS1HNTU**



TH-42PX75U
SS-BOARD TXNSS1HNTU

TH-42PX75U
SS-BOARD TXNSS1HNTU

A B C D E F G H







15 Schematic and Block Diagram

15.1. Schematic Diagram Note

Important Safety Notice

Components identified by \triangle mark have special characteristics important for safety. When replacing any of these components, use only manufacturer's specified parts.

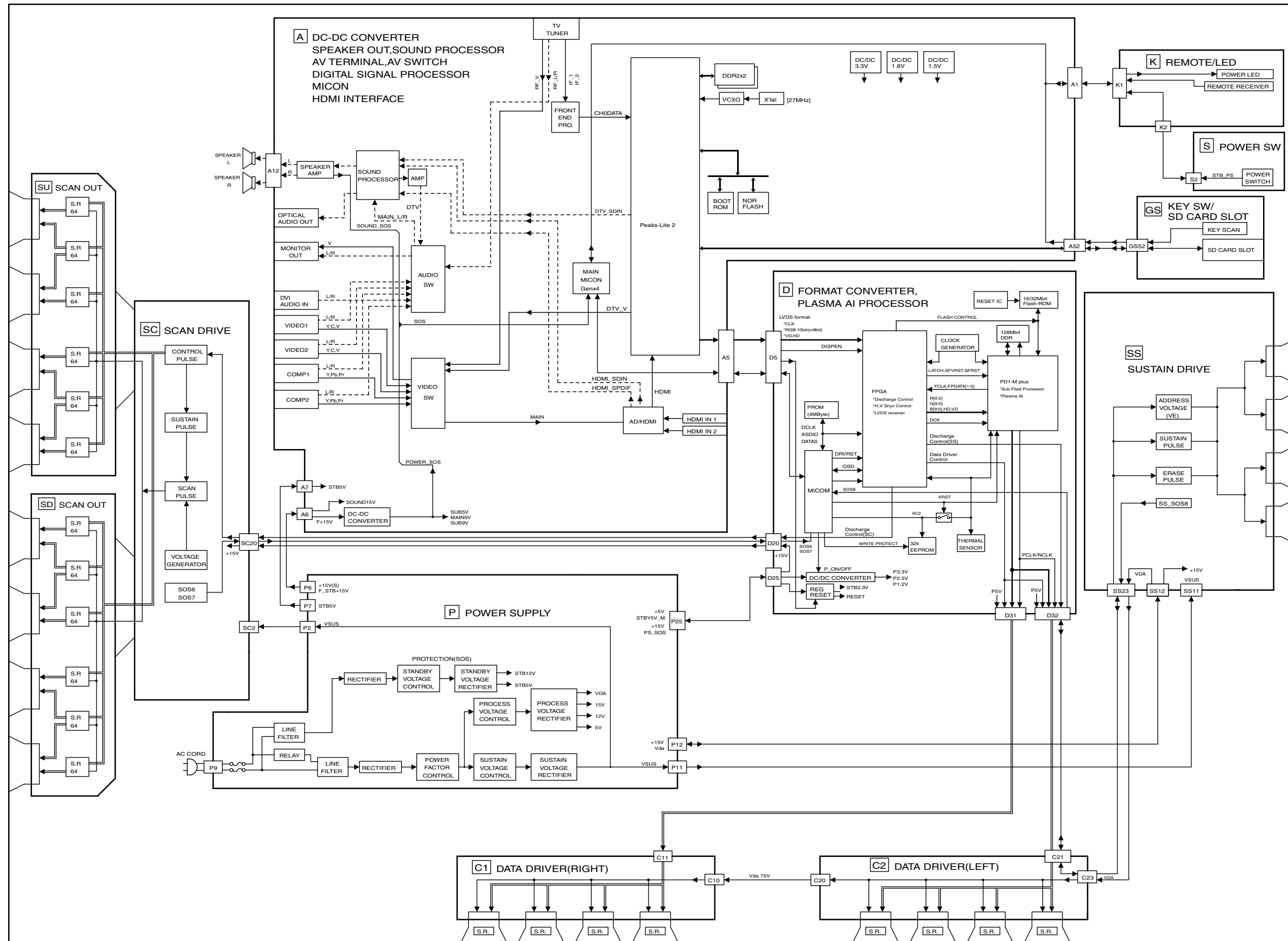
Notes:

1. **Resistor**
Unit of resistance is OHM [Ω] (K=1,000, M=1,000,000).
2. **Capacitor**
Unit of capacitance is μ F, unless otherwise noted.
3. **Coil**
Unit of inductance is H, unless otherwise noted.
4. **Test Point**
 : Test Point position
5. **Earth Symbol**
 : Chassis Earth (Cold)  : Line Earth (Hot)
6. **Voltage Measurement**
Voltage is measured by a DC voltmeter.
Conditions of the measurement are the following:
Power Source AC120V, 50/60Hz
Receiving Signal Colour Bar signal (RF)
All customer's controls Maximum positions
7. When arrow mark () is found, connection is easily found from the direction of arrow.
8. Indicates the major signal flow. : Video  Audio 
9. This schematic diagram is the latest at the time of printing and subject to change without notice.

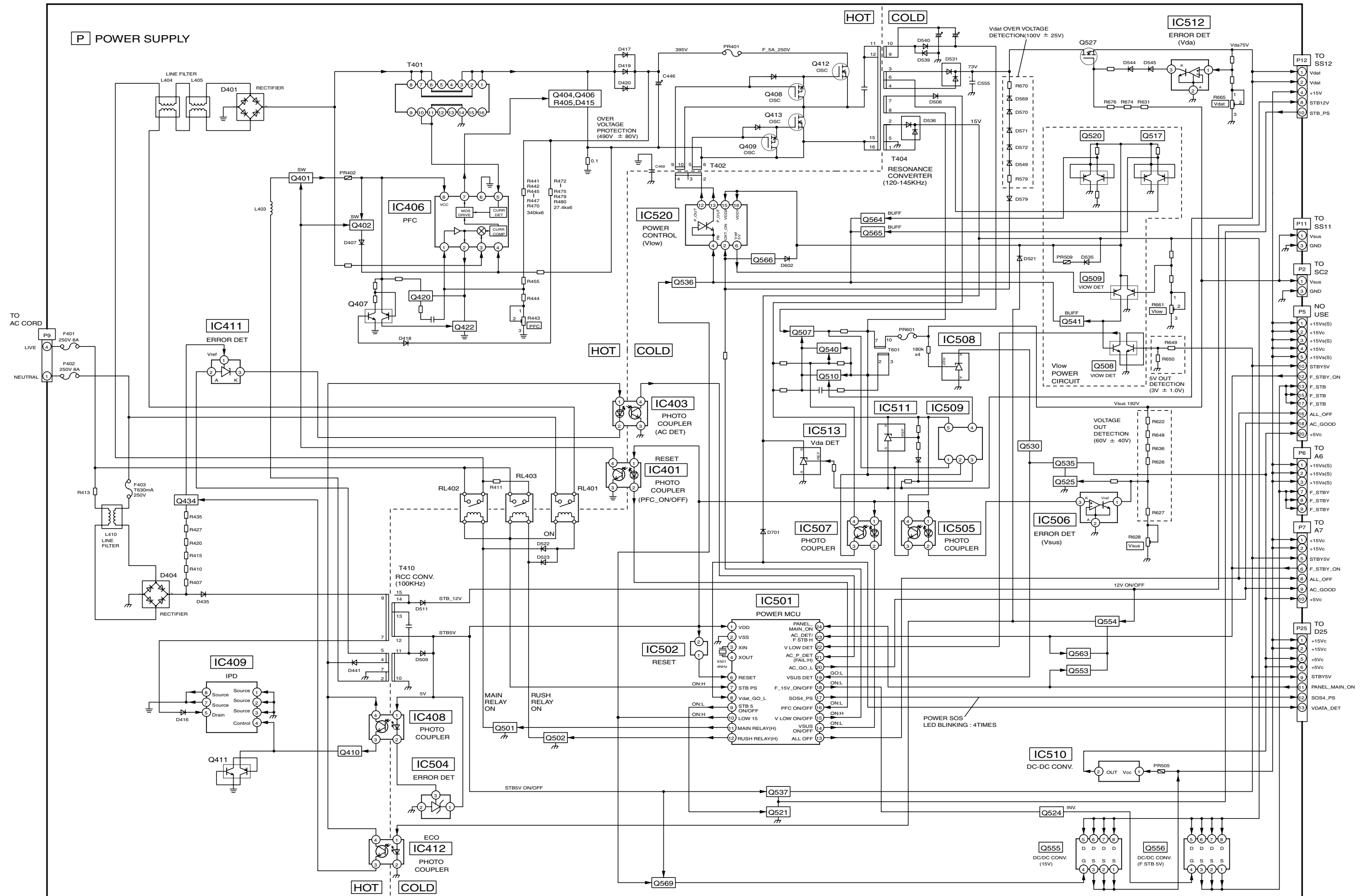
Remarks:

1. The Power Circuit contains a circuit area which uses a separate power supply to isolate the earth connection.
The circuit is defined by HOT and COLD indications in the schematic diagram. Take the following precautions.
All circuits, except the Power Circuit, are cold.
Precautions
 - a. Do not touch the hot part or the hot and cold parts at the same time or you may be shocked.
 - b. Do not short-circuit the hot and cold circuits or a fuse may blow and parts may break.
 - c. Do not connect an instrument, such as an oscilloscope, to the hot and cold circuits simultaneously or a fuse may blow.
Connect the earth of instruments to the earth connection of the circuit being measured.
 - d. Make sure to disconnect the power plug before removing the chassis.

15.2. Main Block Diagram



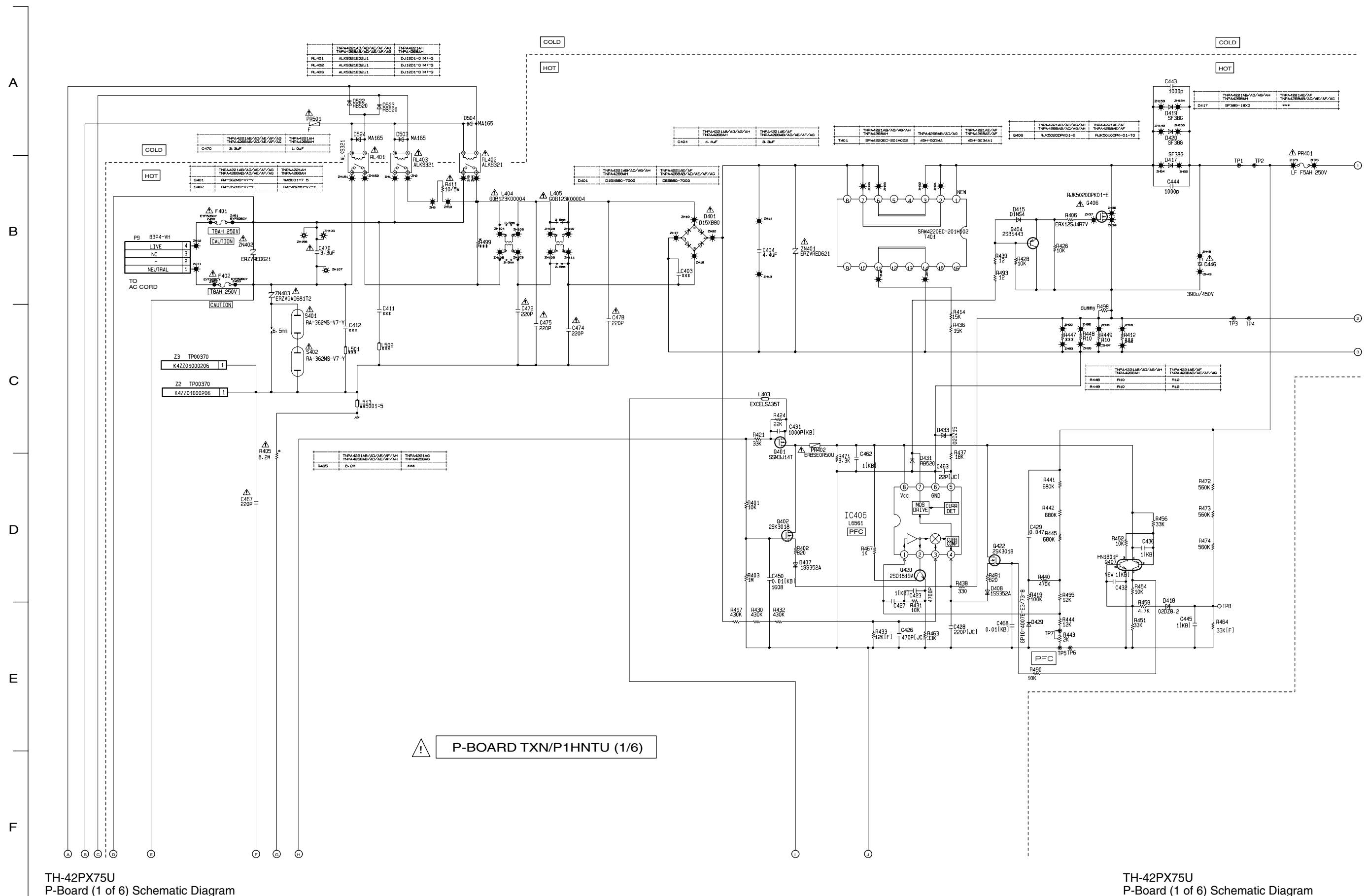
15.3. P-Board Block Diagram



TH-42PX75U
P-Board Block Diagram

TH-42PX75U
P-Board Block Diagram

15.4. P-Board (1 of 6) Schematic Diagram

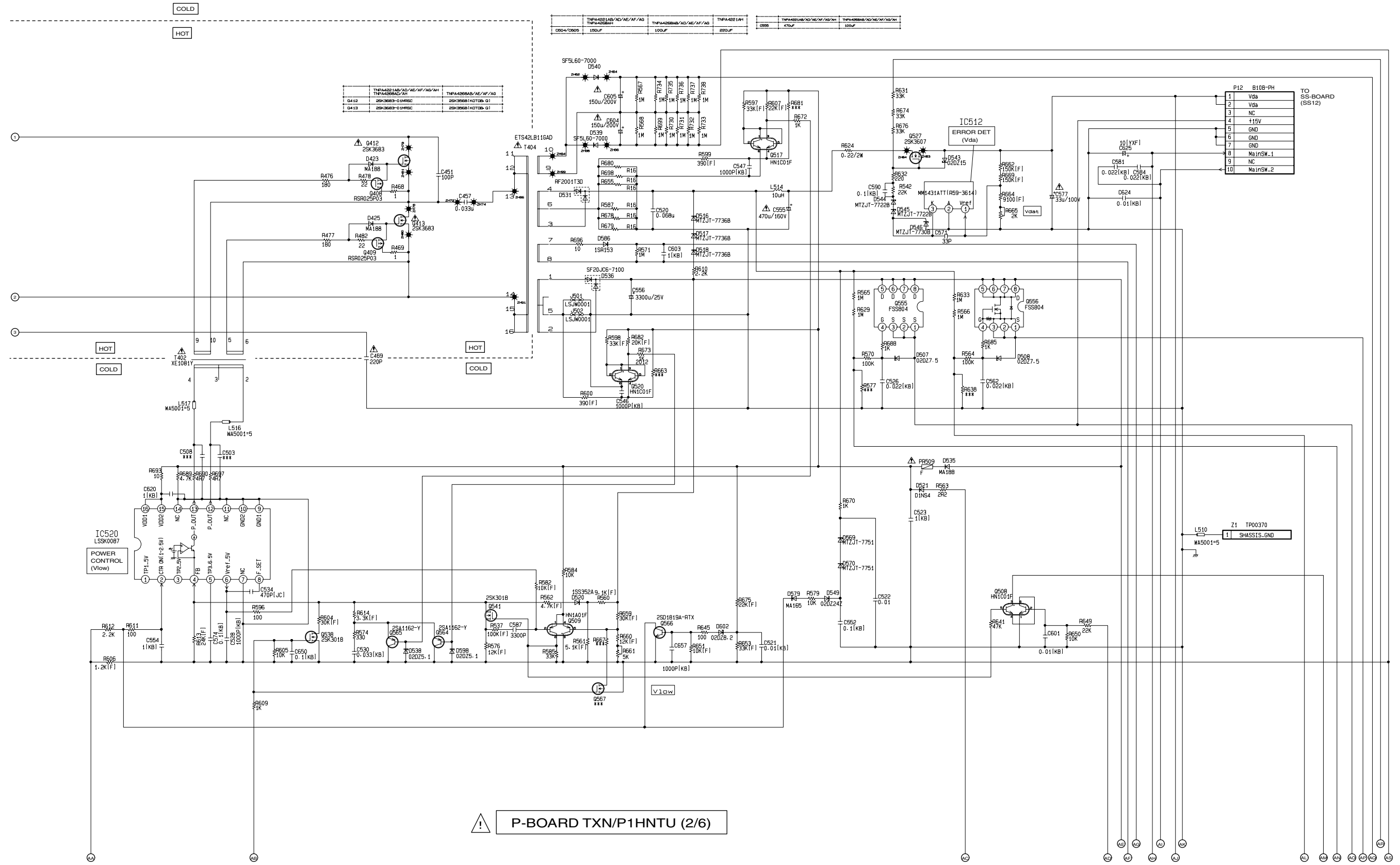


! P-BOARD TXN/P1HNTU (1/6)

TH-42PX75U
P-Board (1 of 6) Schematic Diagram

TH-42PX75U
P-Board (1 of 6) Schematic Diagram

15.5. P-Board (2 of 6) Schematic Diagram



TH-42PX75U
P-Board (2 of 6) Schematic Diagram

TH-42PX75U
P-Board (2 of 6) Schematic Diagram

10

11

12

13

14

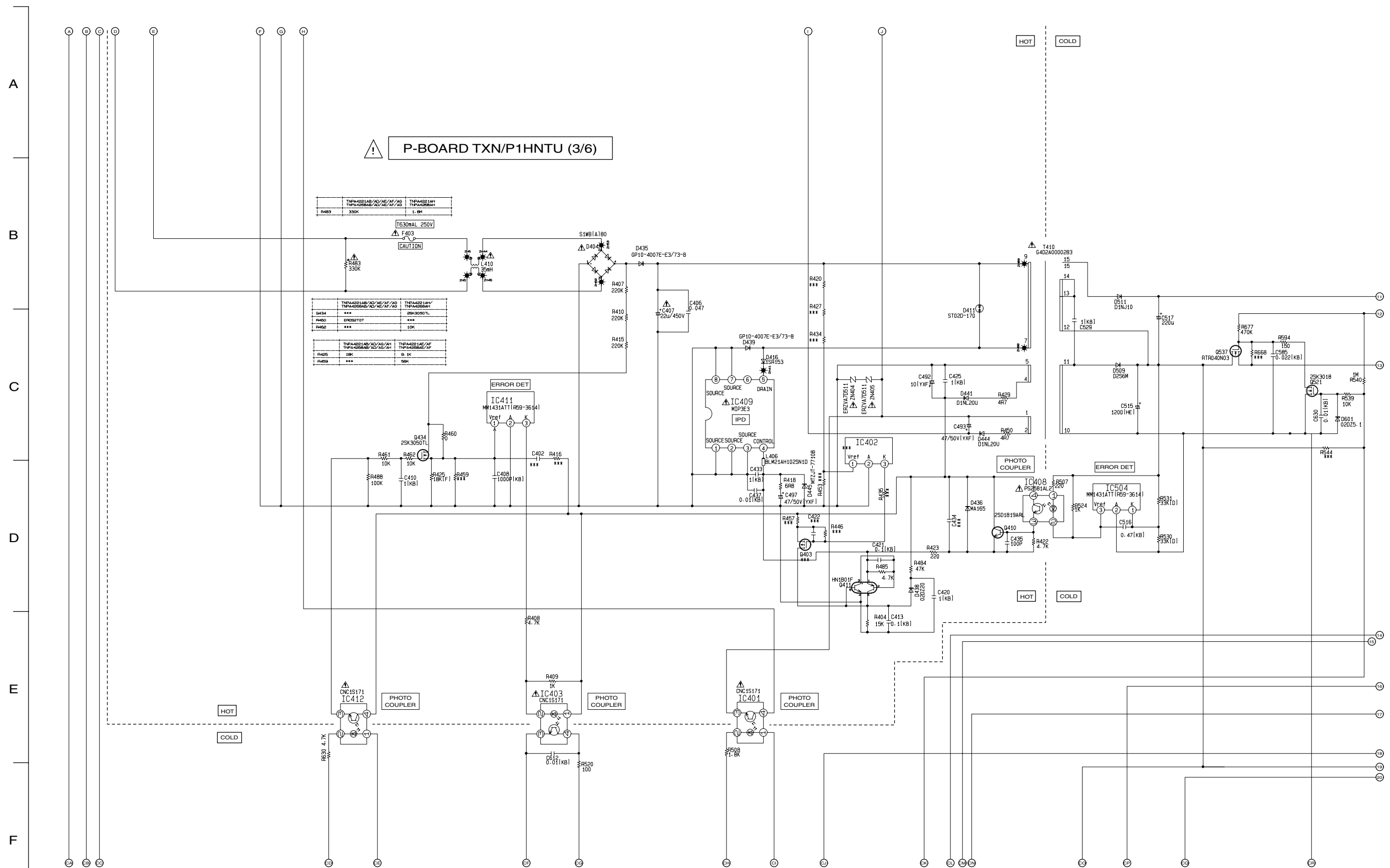
15

16

17

18

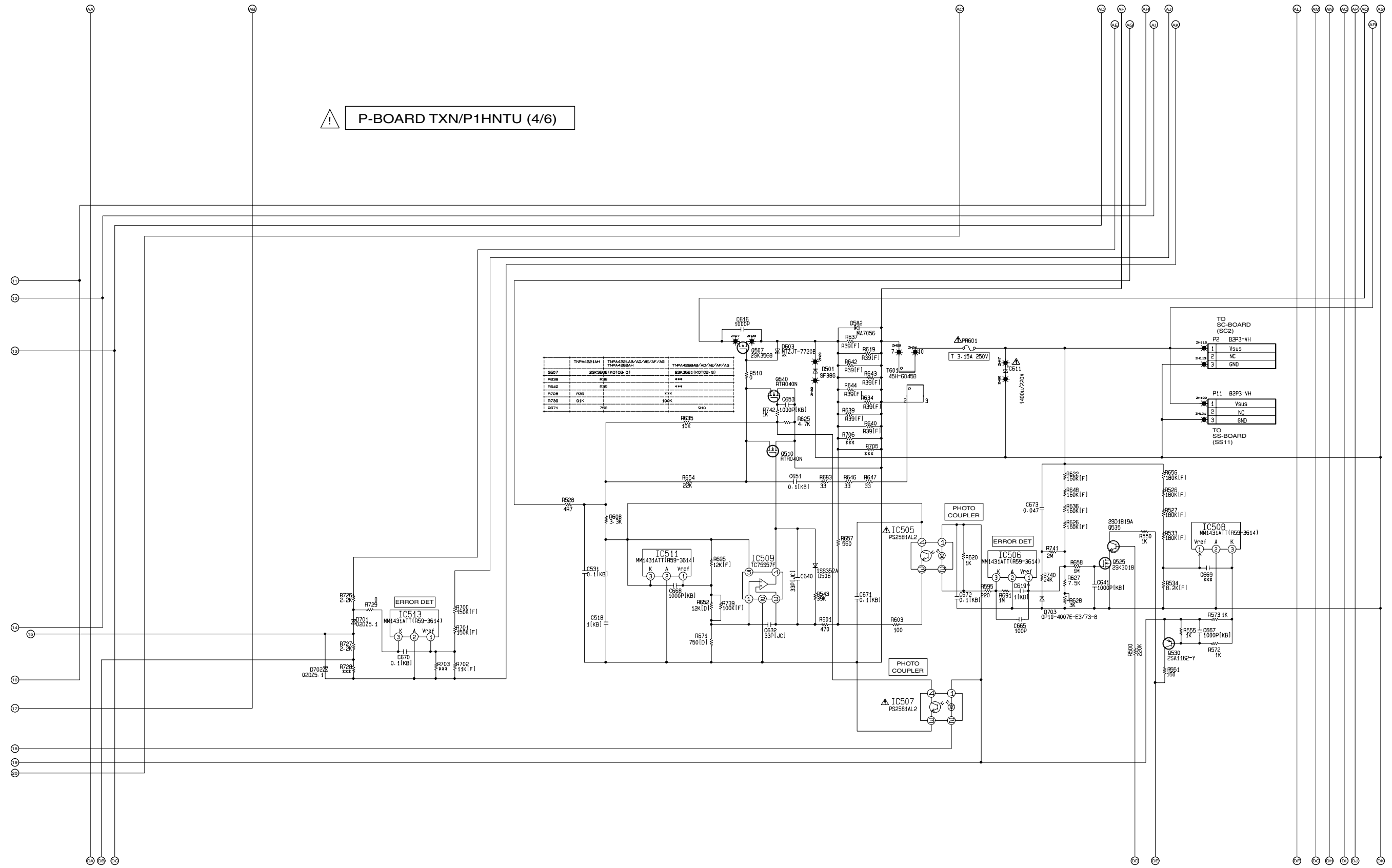
15.6. P-Board (3 of 6) Schematic Diagram



TH-42PX75U
P-Board (3 of 6) Schematic Diagram

TH-42PX75U
P-Board (3 of 6) Schematic Diagram

15.7. P-Board (4 of 6) Schematic Diagram



TH-42PX75U
P-Board (4 of 6) Schematic Diagram

TH-42PX75U
P-Board (4 of 6) Schematic Diagram

10

11

12

13

14

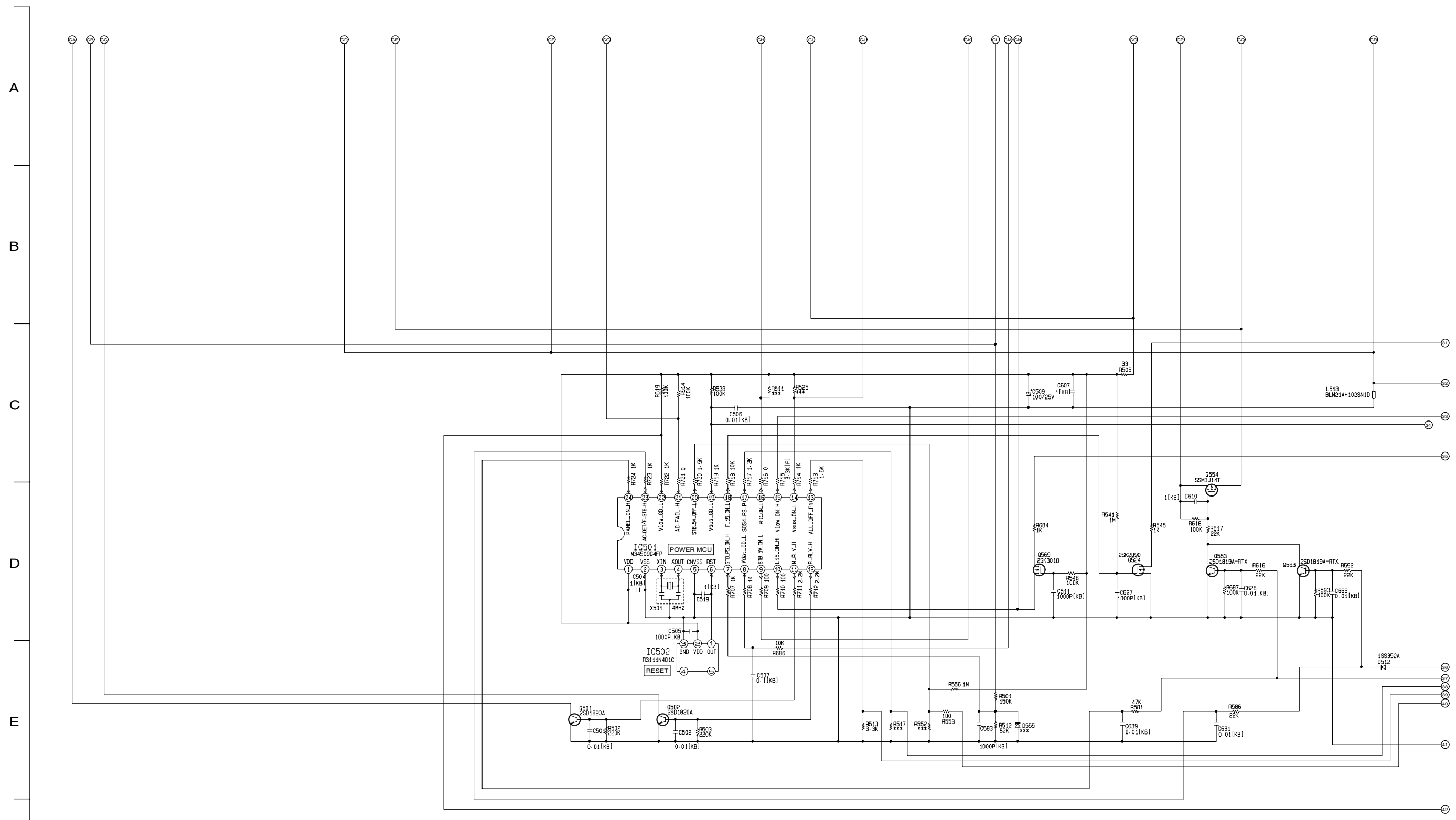
15

16

17

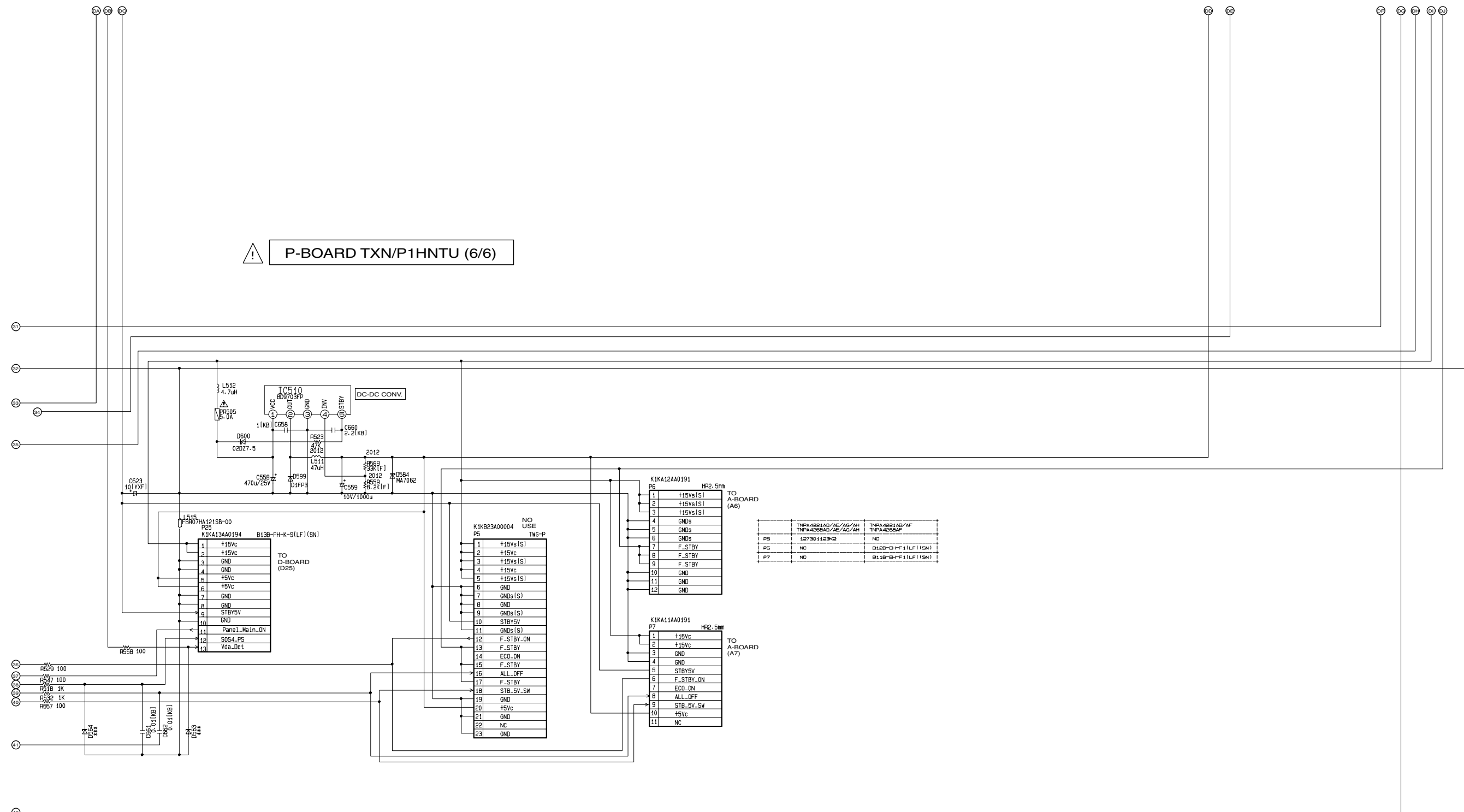
18

15.8. P-Board (5 of 6) Schematic Diagram



⚠ P-BOARD TXN/P1HNTU (5/6)

15.9. P-Board (6 of 6) Schematic Diagram

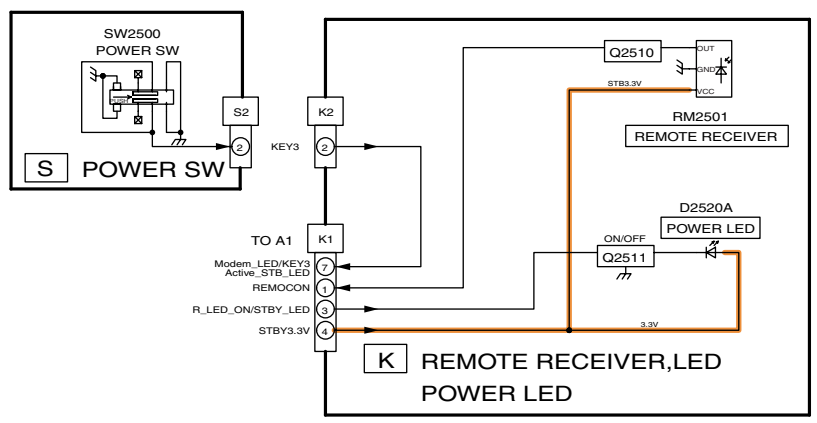


TH-42PX75U
P-Board (6 of 6) Schematic Diagram

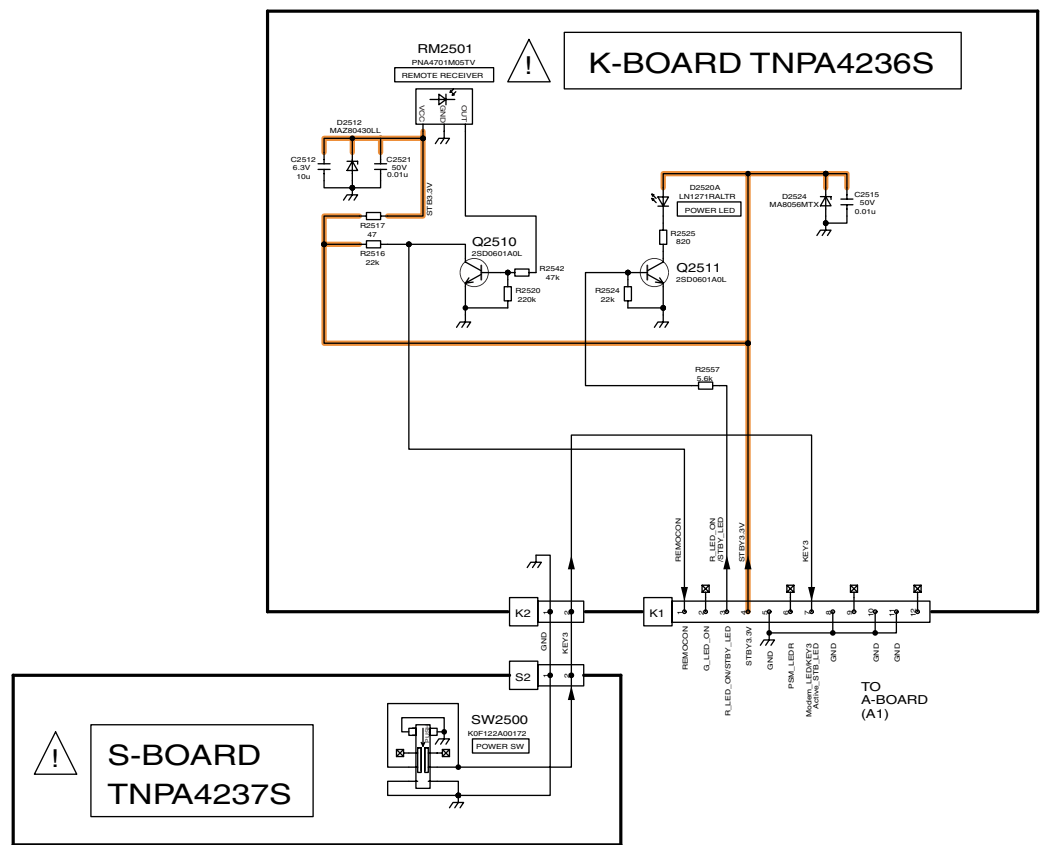
TH-42PX75U
P-Board (6 of 6) Schematic Diagram

15.10. GS, K and S-Board Block and Schematic Diagram

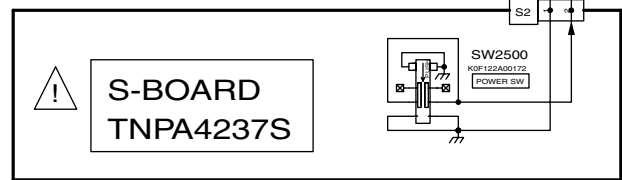
A



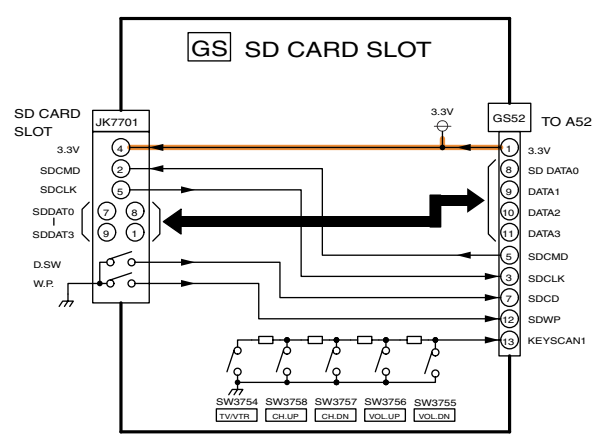
B



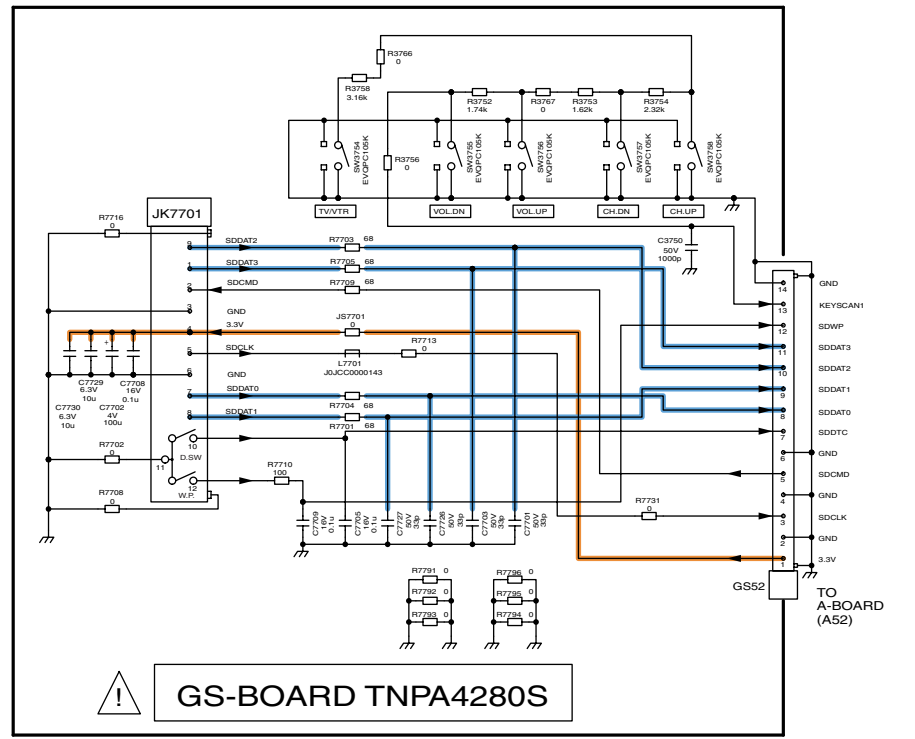
C



D



E



TH-42PX75U
GS, K and S-Board Schematic Diagram

TH-42PX75U
GS, K and S-Board Schematic Diagram

1

2

3

4

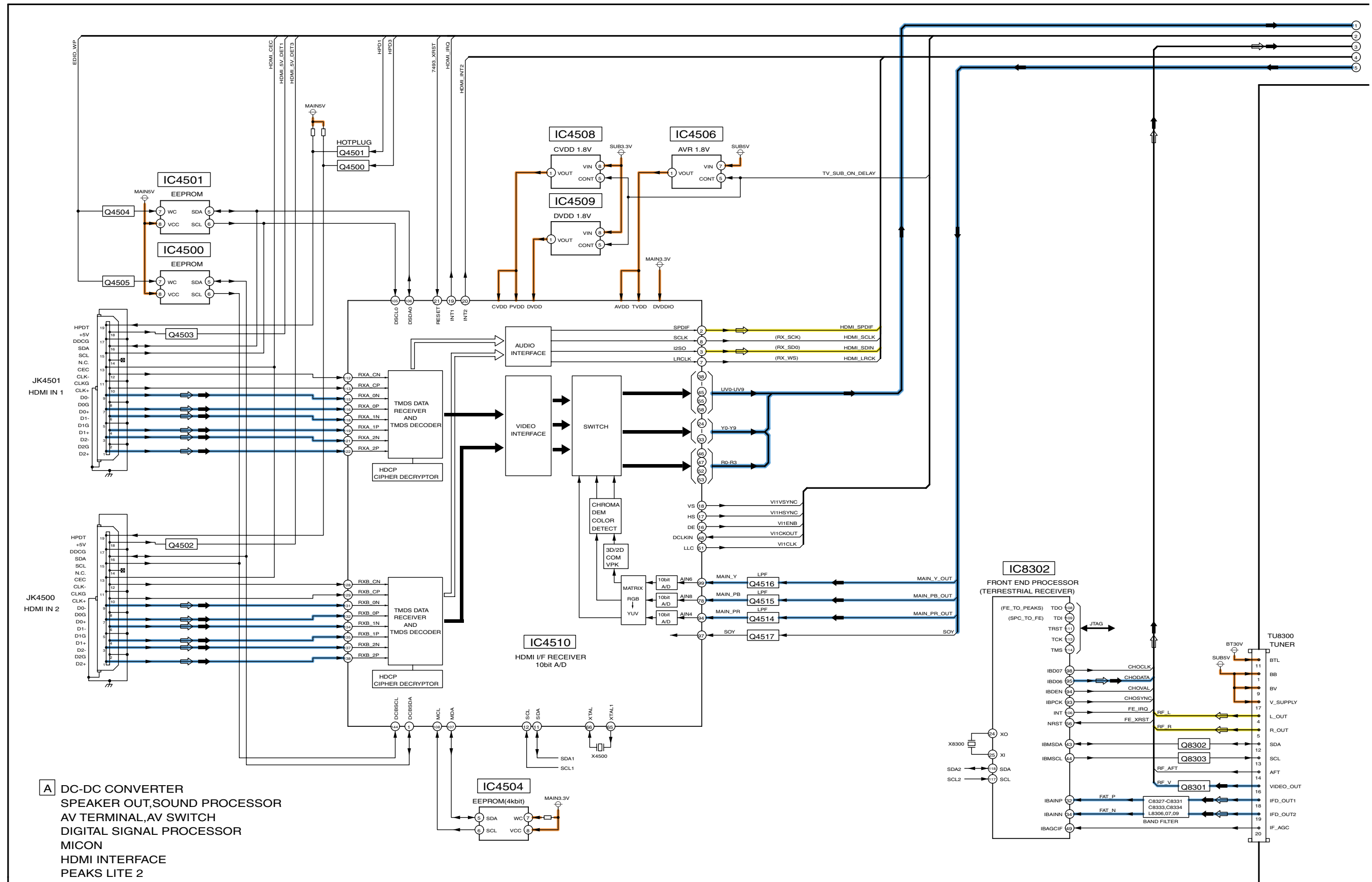
5

6

7

8

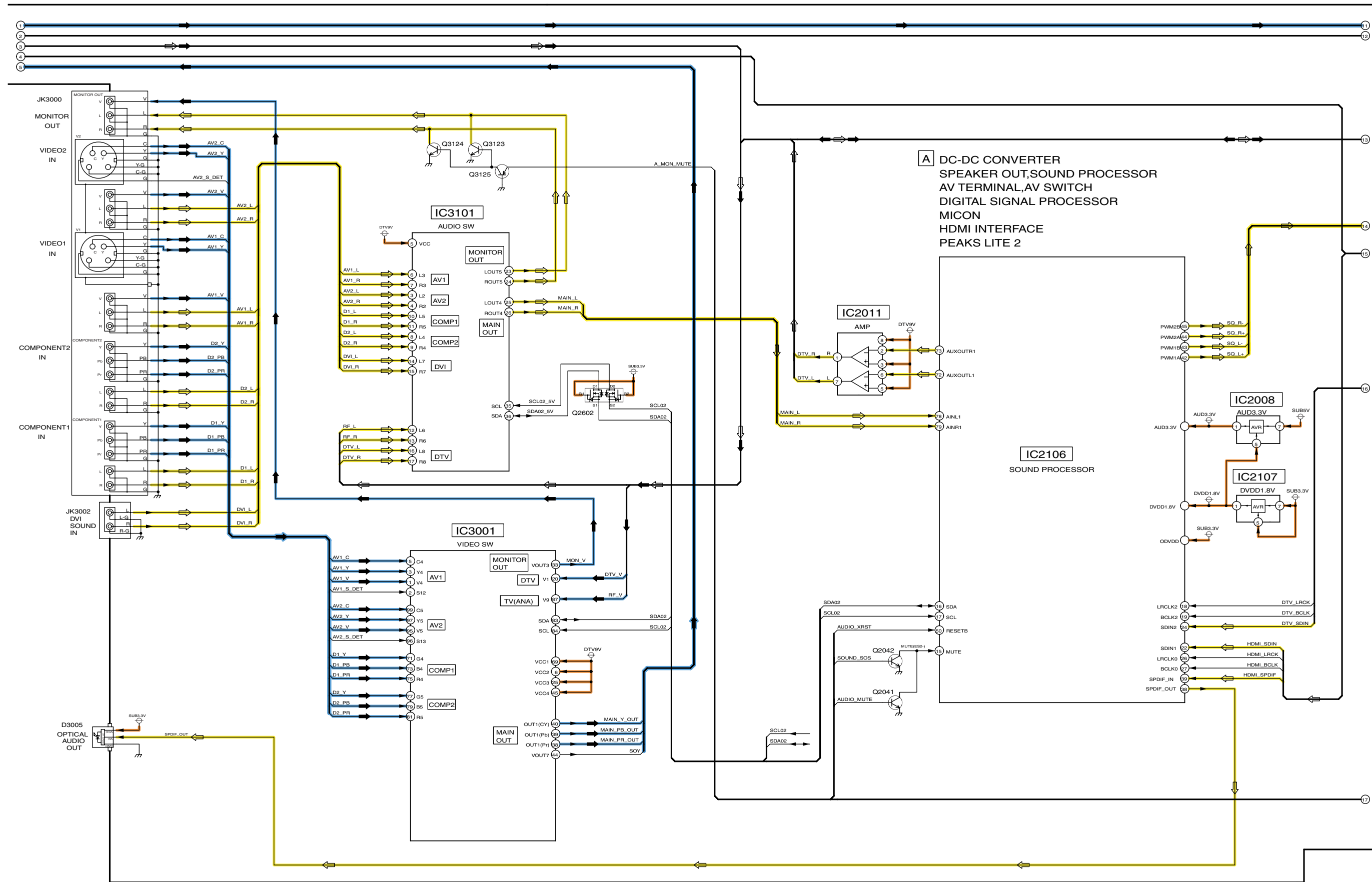
15.11. A-Board (1 of 5) Block Diagram



TH-42PX75U
A-Board (1 of 5) Block Diagram

TH-42PX75U
A-Board (1 of 5) Block Diagram

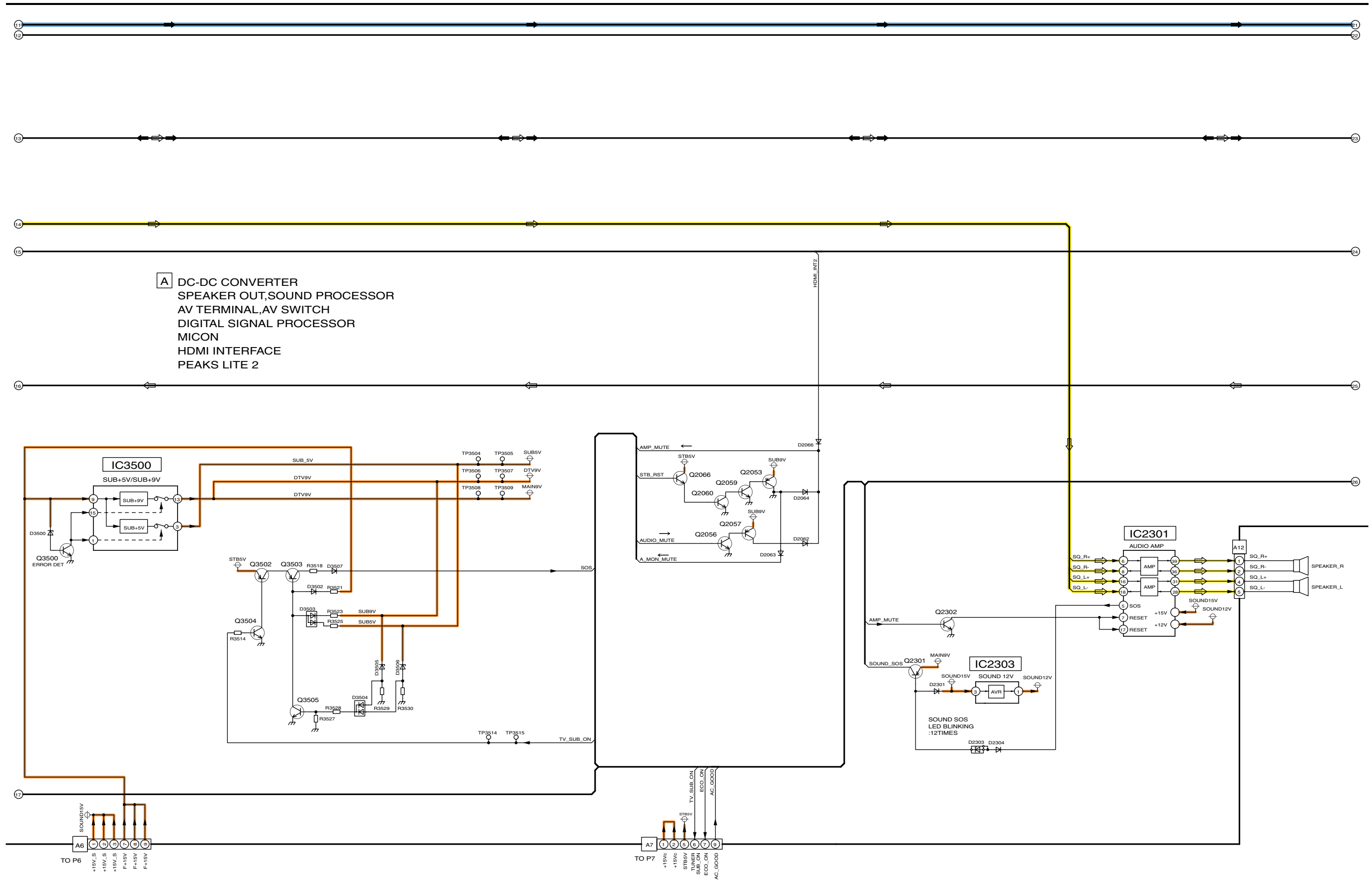
15.12. A-Board (2 of 5) Block Diagram



TH-42PX75U
A-Board (2 of 5) Block Diagram

TH-42PX75U
A-Board (2 of 5) Block Diagram

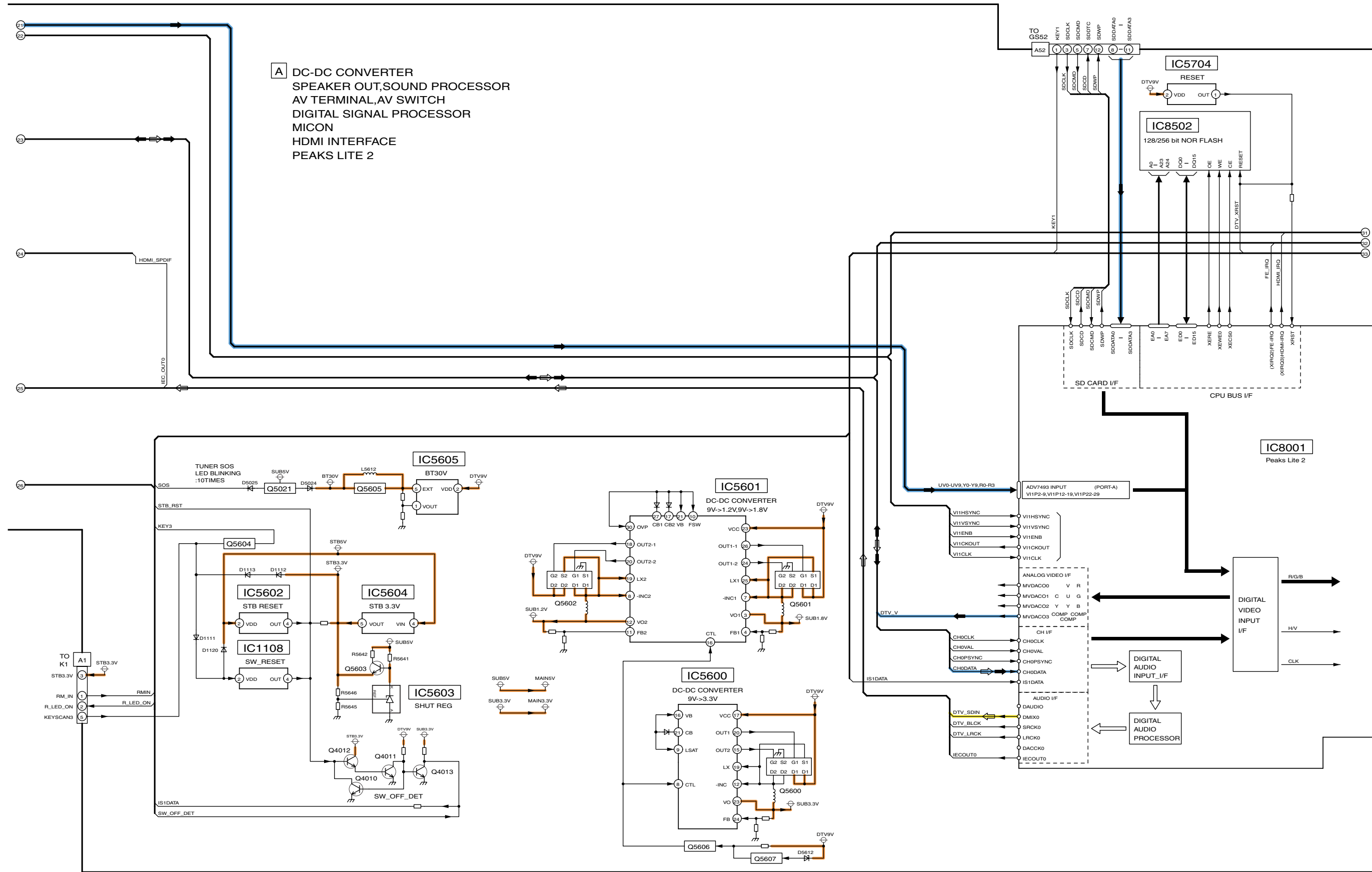
15.13. A-Board (3 of 5) Block Diagram



TH-42PX75U
 A-Board (3 of 5) Block Diagram

TH-42PX75U
 A-Board (3 of 5) Block Diagram

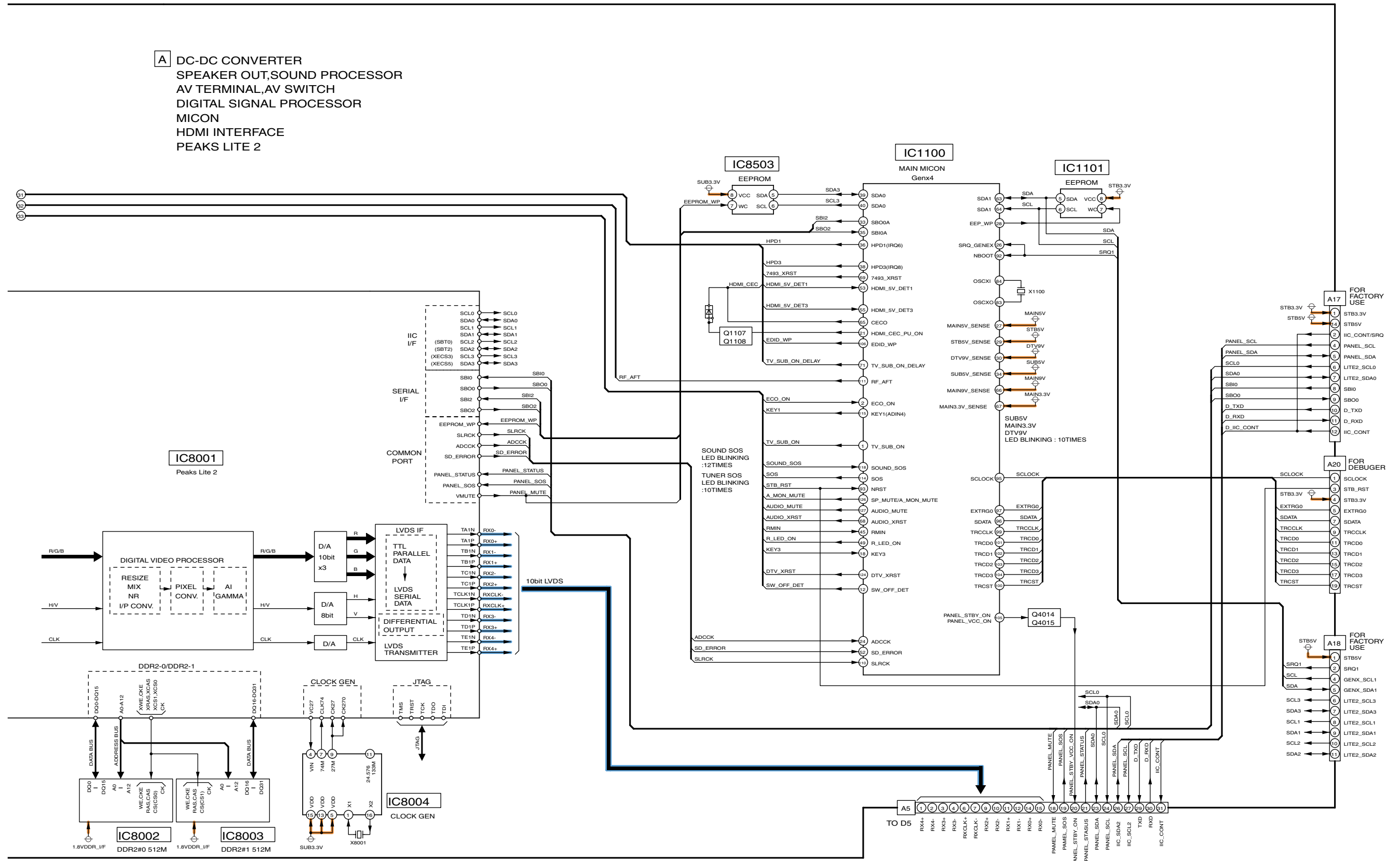
15.14. A-Board (4 of 5) Block Diagram



TH-42PX75U
A-Board (4 of 5) Block Diagram

TH-42PX75U
A-Board (4 of 5) Block Diagram

15.15. A-Board (5 of 5) Block Diagram



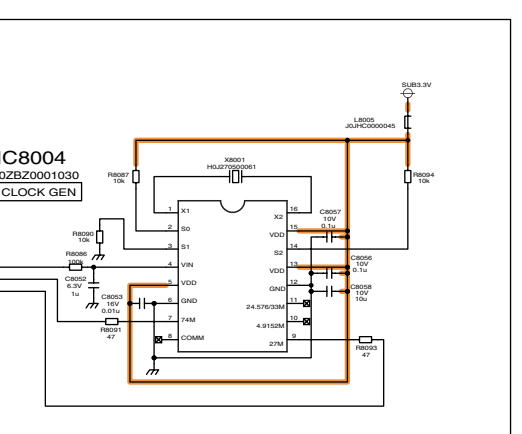
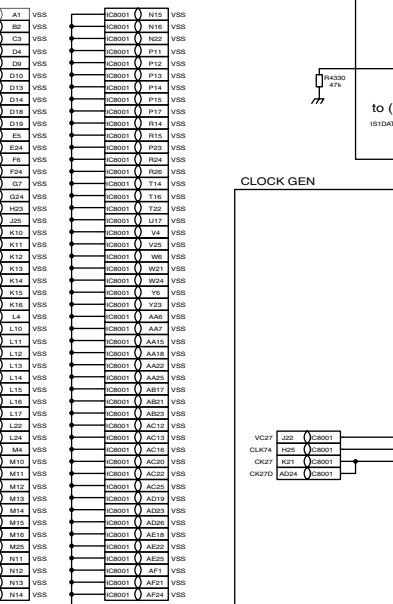
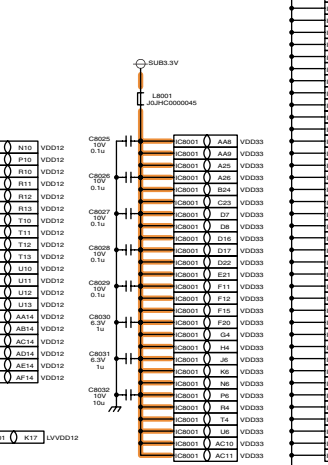
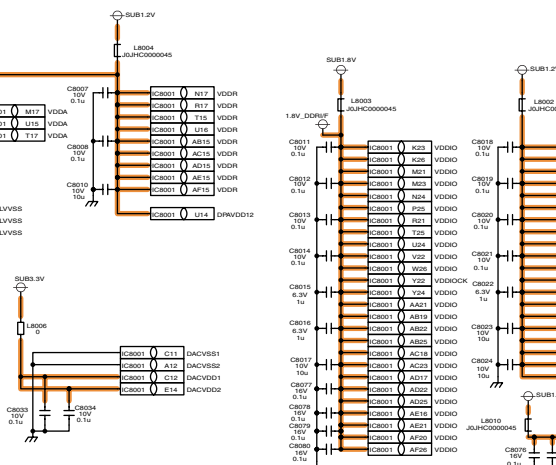
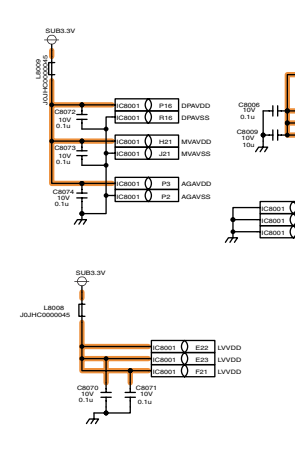
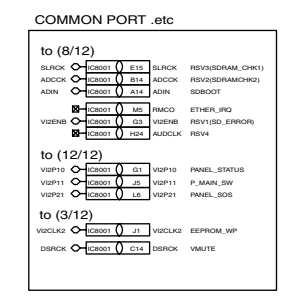
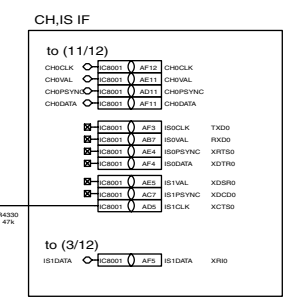
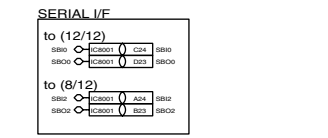
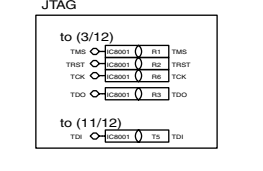
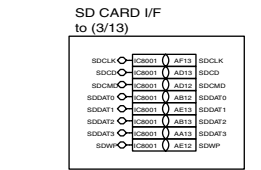
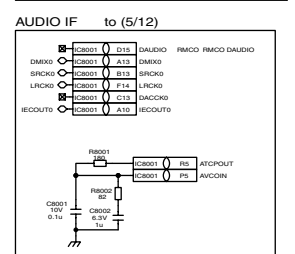
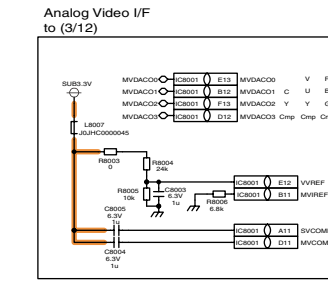
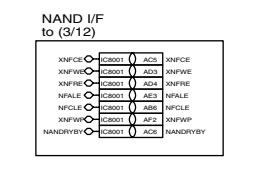
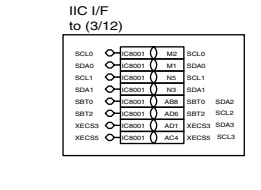
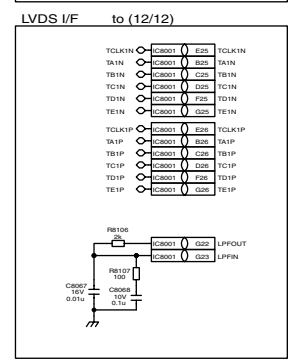
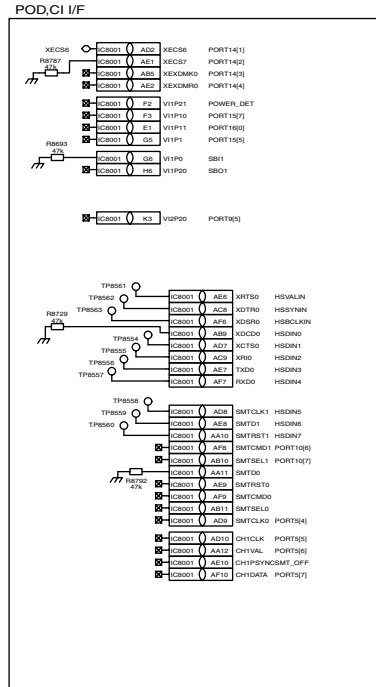
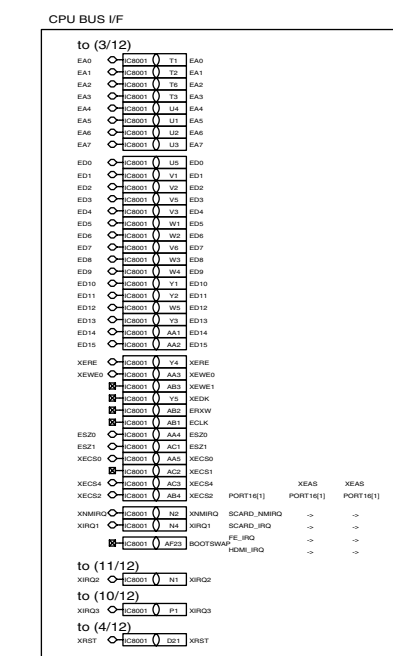
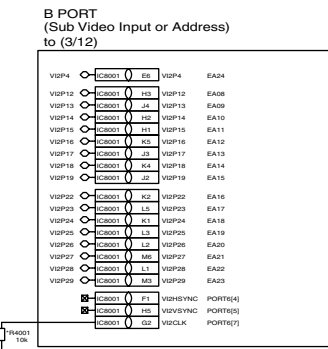
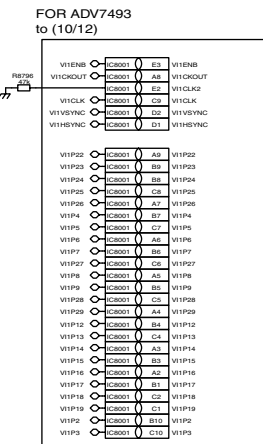
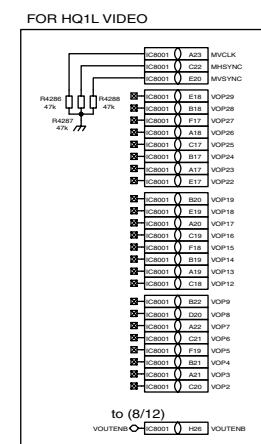
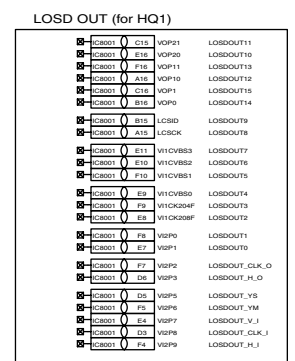
TH-42PX75U
 A-Board (5 of 5) Block Diagram

TH-42PX75U
 A-Board (5 of 5) Block Diagram

15.16. A-Board (1 of 12) Schematic Diagram

A-BOARD TNP0692ABS (1/12) Peaks-Lite2,DDR

IC8001
MN2WS0039A
Peaks Lite 2



A

B

C

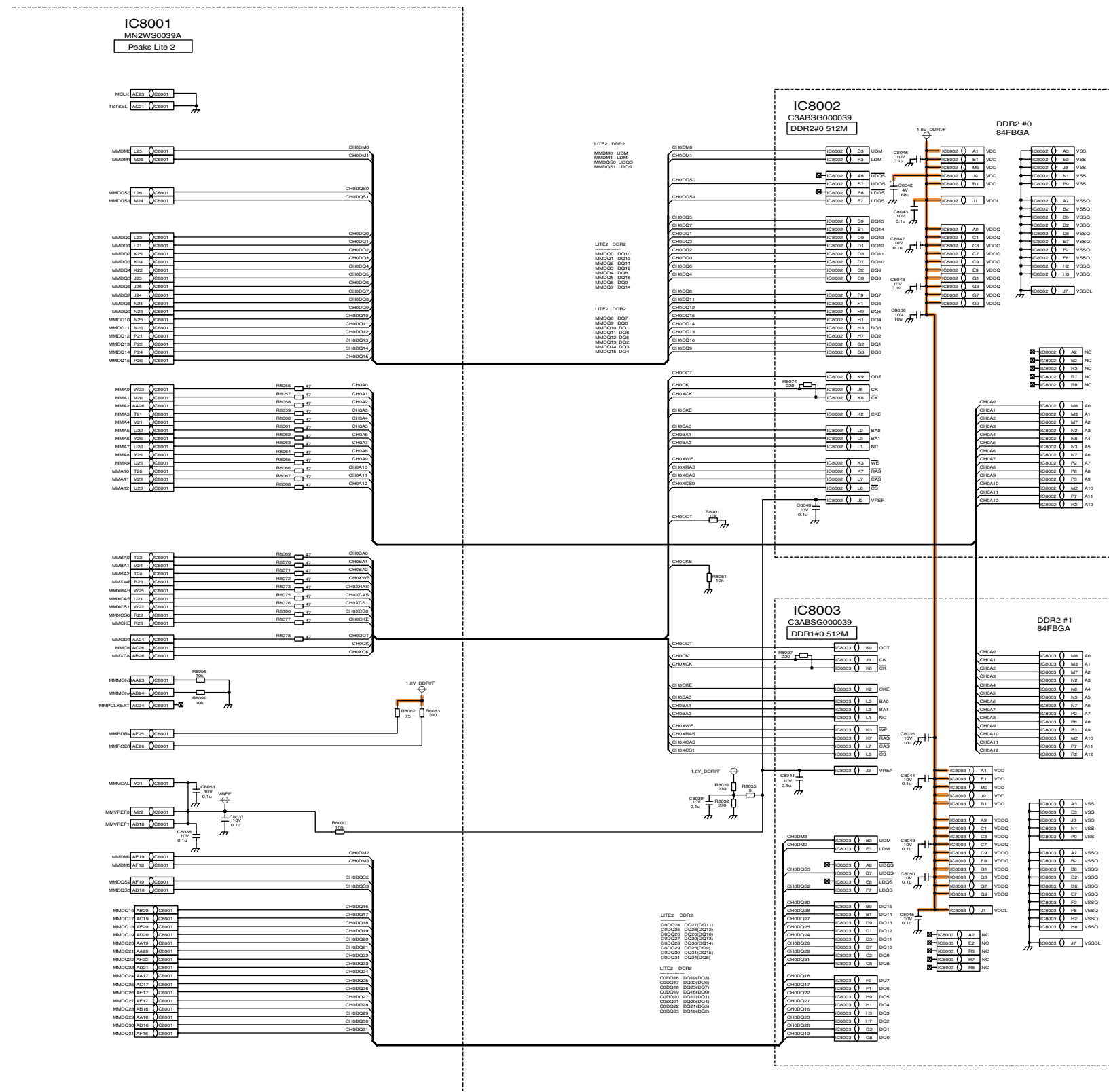
D

E

F

15.17. A-Board (2 of 12) Schematic Diagram

A-BOARD TNP0692ABS (2/12) Peaks-Lite2,DDR

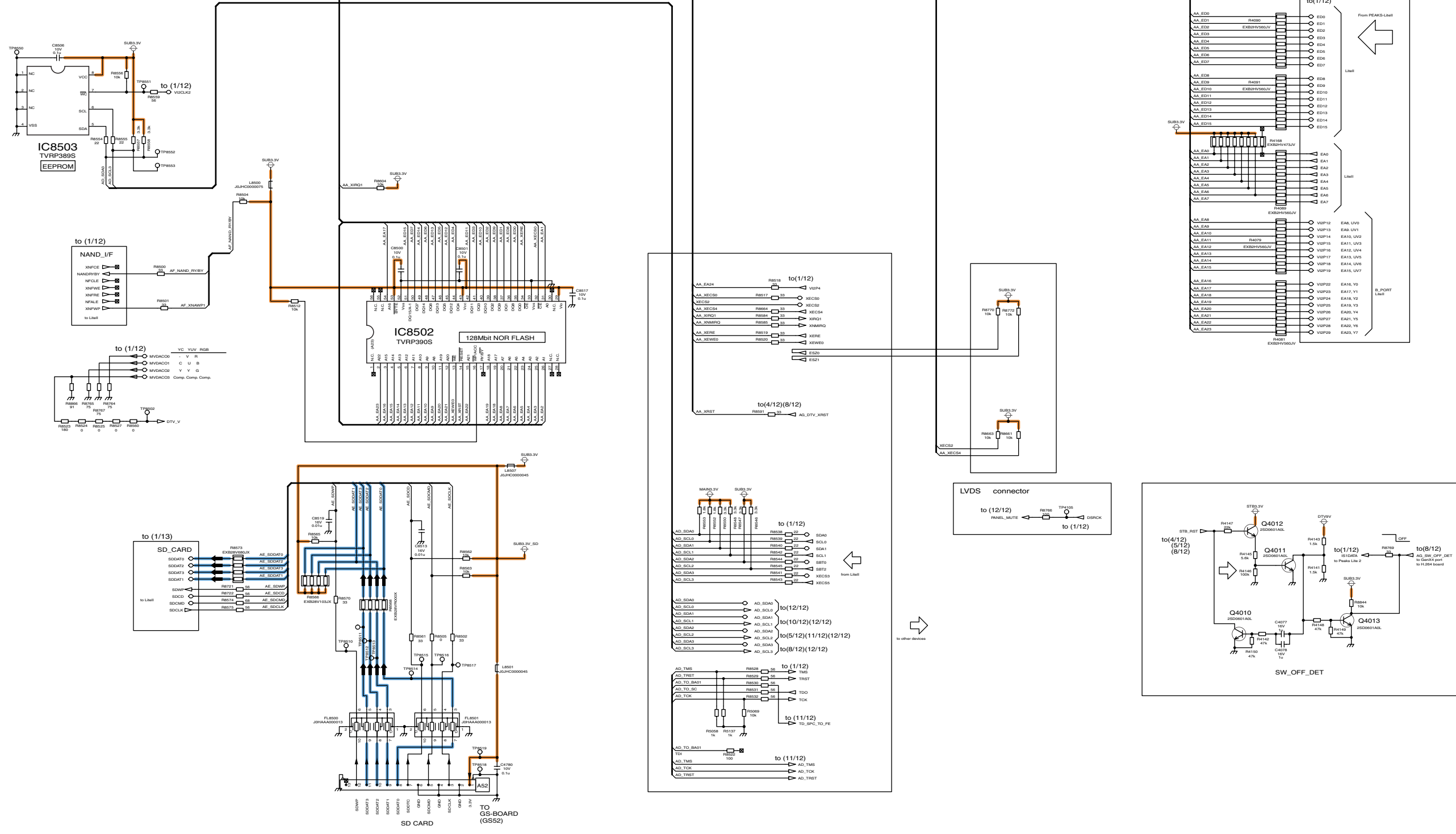


TH-42PX75U A-Board (2 of 12) Schematic Diagram

TH-42PX75U A-Board (2 of 12) Schematic Diagram

15.18. A-Board (3 of 12) Schematic Diagram

A-BOARD TNP0692ABS (3/12) DIGITAL(NAND,BOOT,ETC)



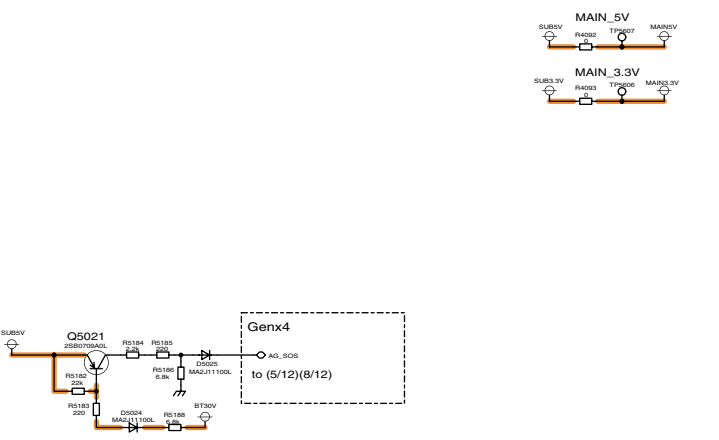
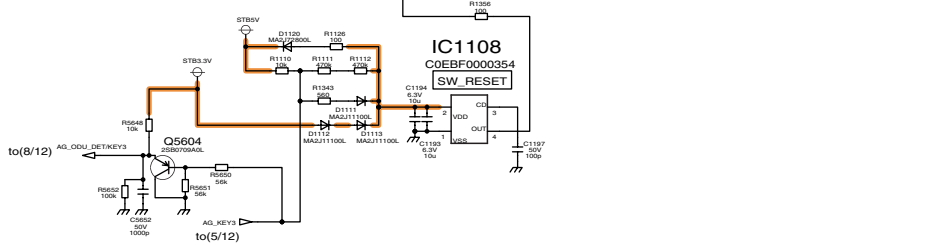
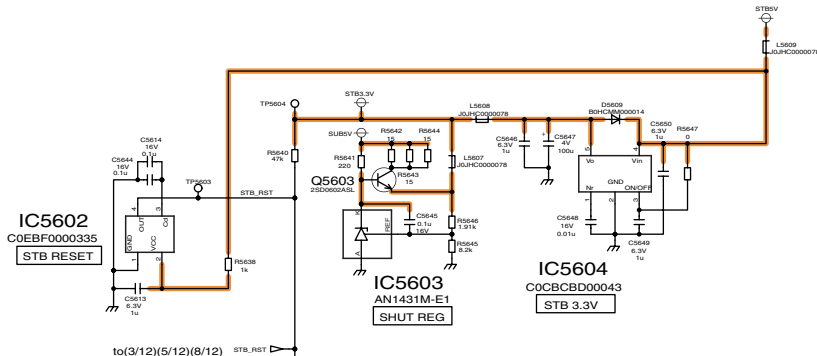
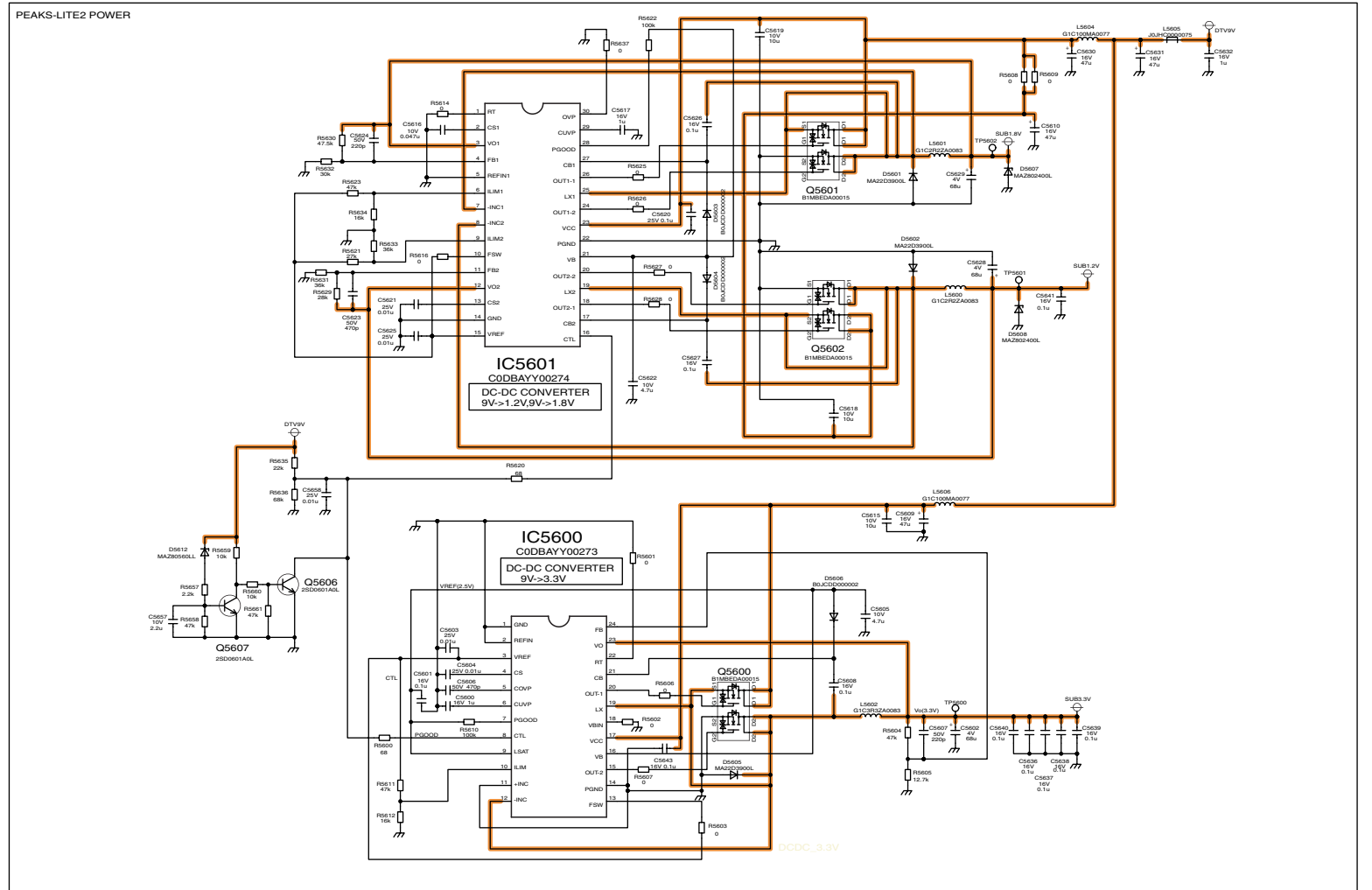
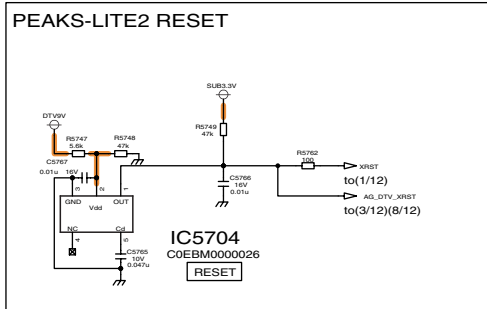
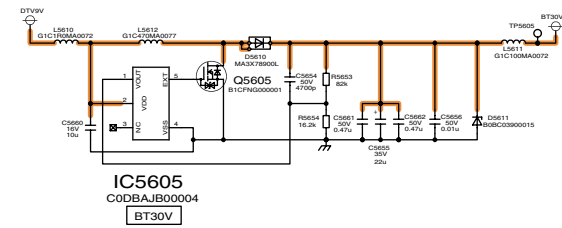
TH-42PX75U
A-Board (3 of 12) Schematic Diagram

TH-42PX75U
A-Board (3 of 12) Schematic Diagram

15.19. A-Board (4 of 12) Schematic Diagram

A-BOARD TNPH0692ABS (4/12)

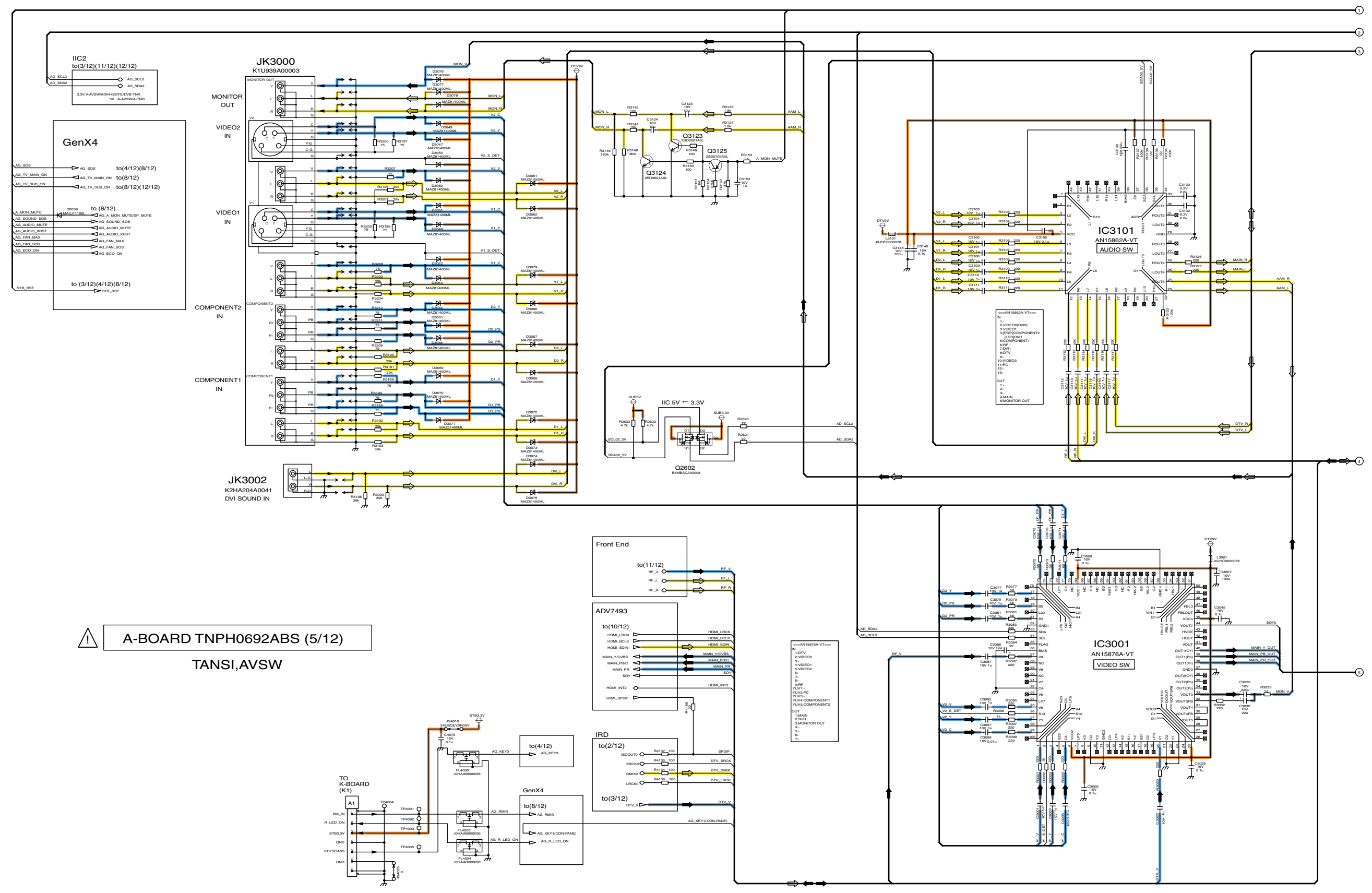
POWER SUPPLY



TH-42PX75U
A-Board (4 of 12) Schematic Diagram

TH-42PX75U
A-Board (4 of 12) Schematic Diagram

15.20. A-Board (5 of 12) Schematic Diagram

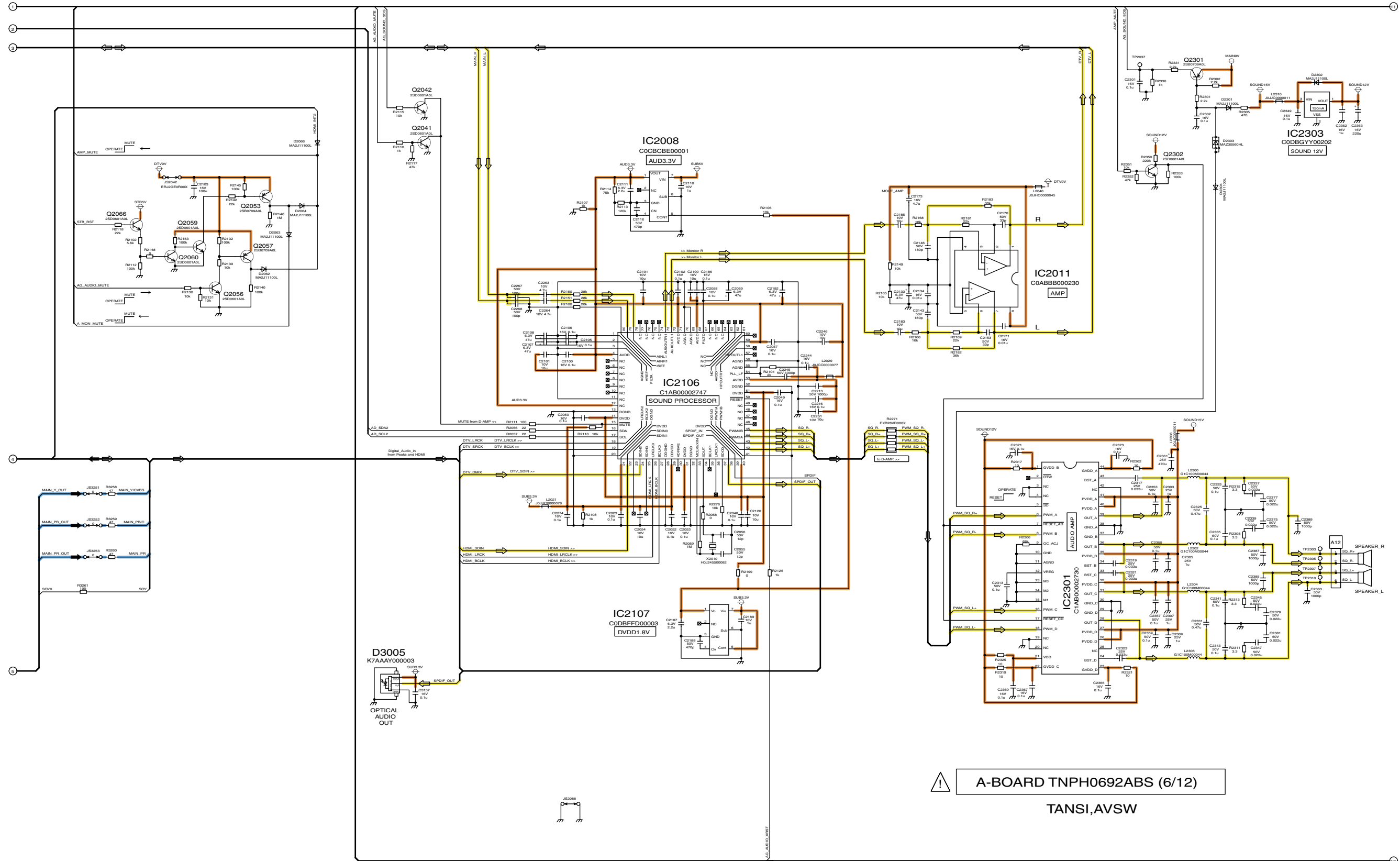


A-BOARD TNP0692ABS (5/12)
TANSI,AVSW

TH-42PX75U
A-Board (5 of 12) Schematic Diagram

TH-42PX75U
A-Board (5 of 12) Schematic Diagram

15.21. A-Board (6 of 12) Schematic Diagram

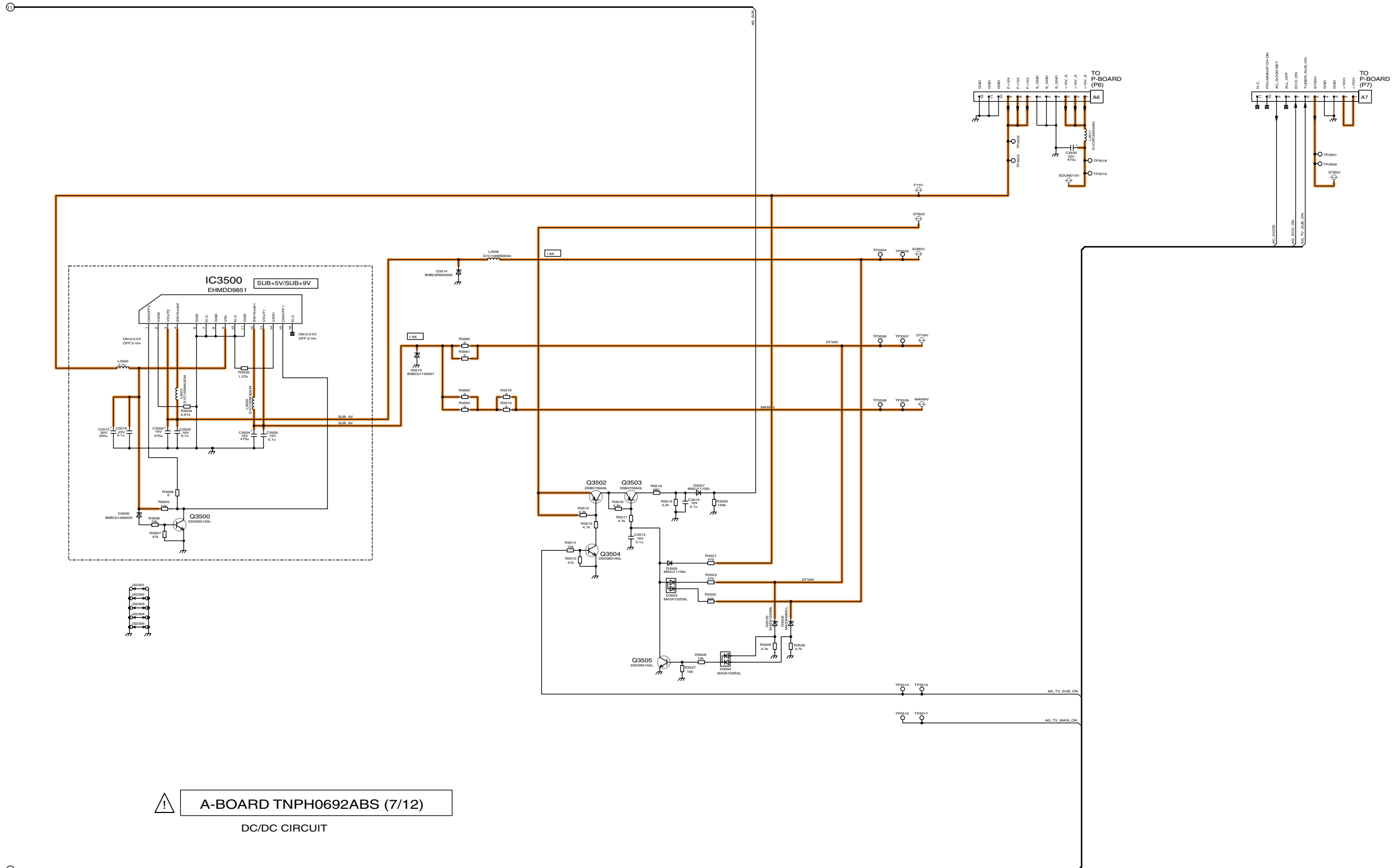


A-BOARD TNPH0692ABS (6/12)
TANSI,AVSW

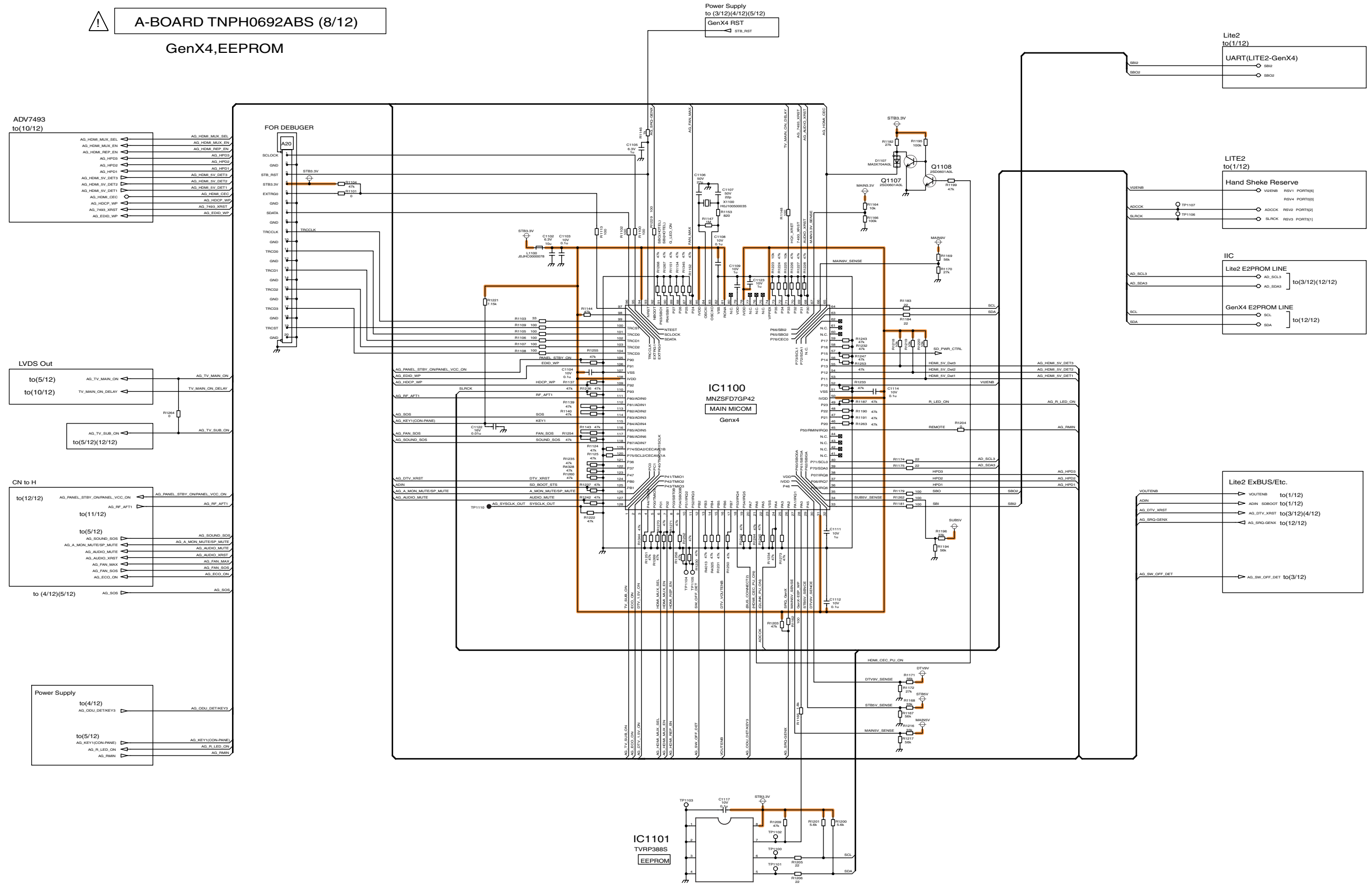
TH-42PX75U
A-Board (6 of 12) Schematic Diagram

TH-42PX75U
A-Board (6 of 12) Schematic Diagram

15.22. A-Board (7 of 12) Schematic Diagram



15.23. A-Board (8 of 12) Schematic Diagram



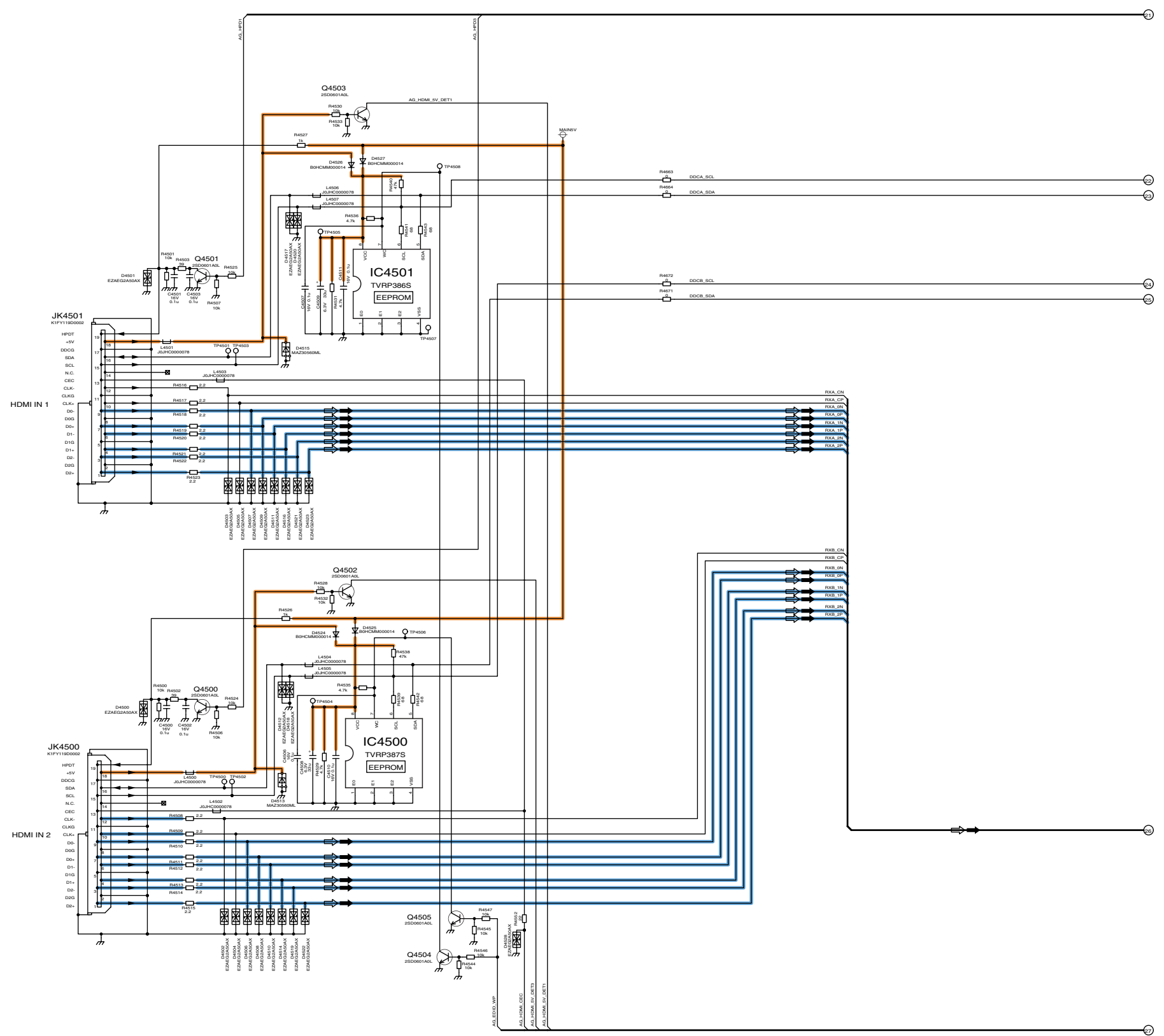
TH-42PX75U A-Board (8 of 12) Schematic Diagram

TH-42PX75U A-Board (8 of 12) Schematic Diagram

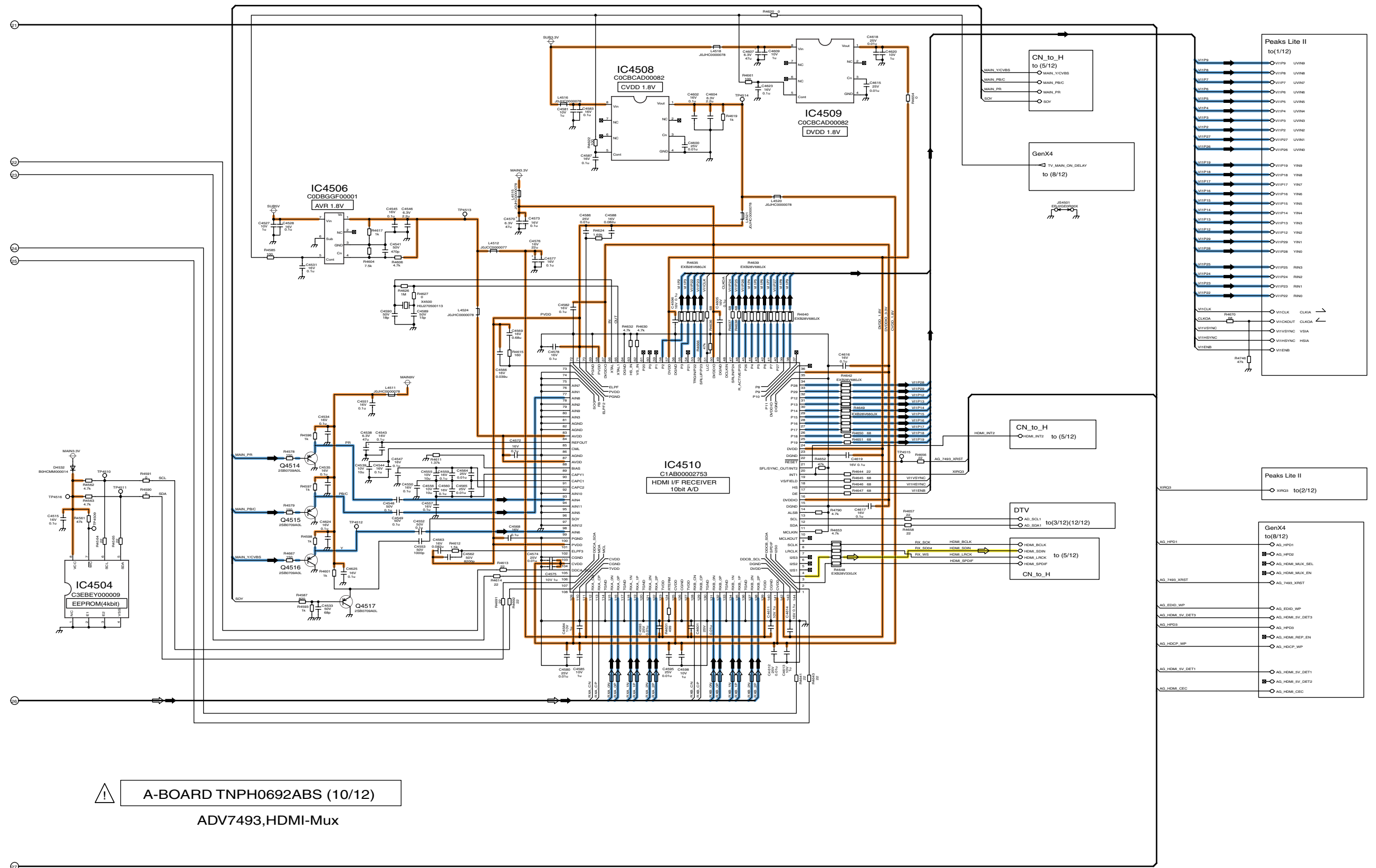
15.24. A-Board (9 of 12) Schematic Diagram

A-BOARD TNPH0692ABS (9/12)

ADV7493,HDMI-Mux



15.25. A-Board (10 of 12) Schematic Diagram



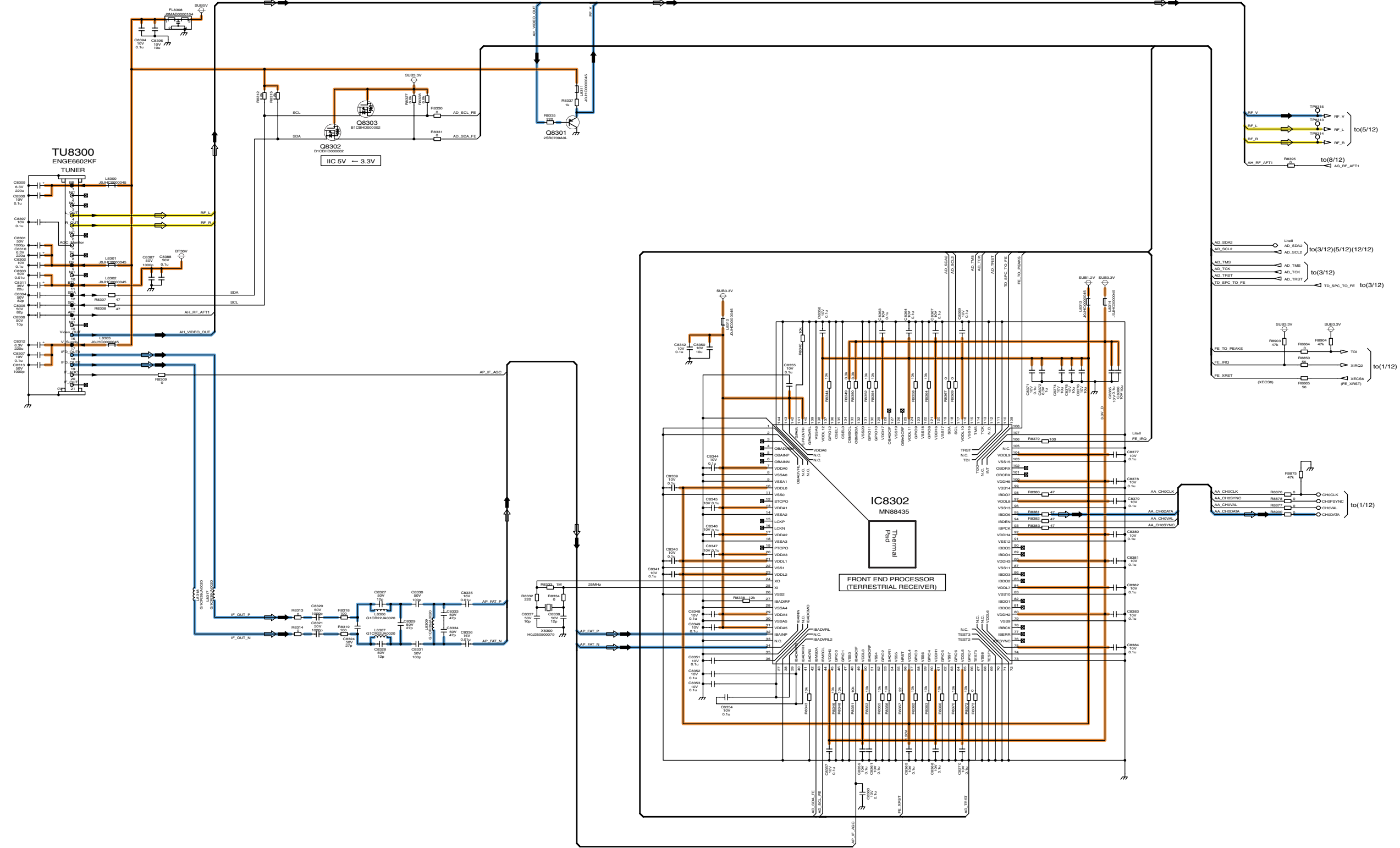
TH-42PX75U
A-Board (10 of 12) Schematic Diagram

TH-42PX75U
A-Board (10 of 12) Schematic Diagram

15.26. A-Board (11 of 12) Schematic Diagram

A-BOARD TNPH0692ABS (11/12)

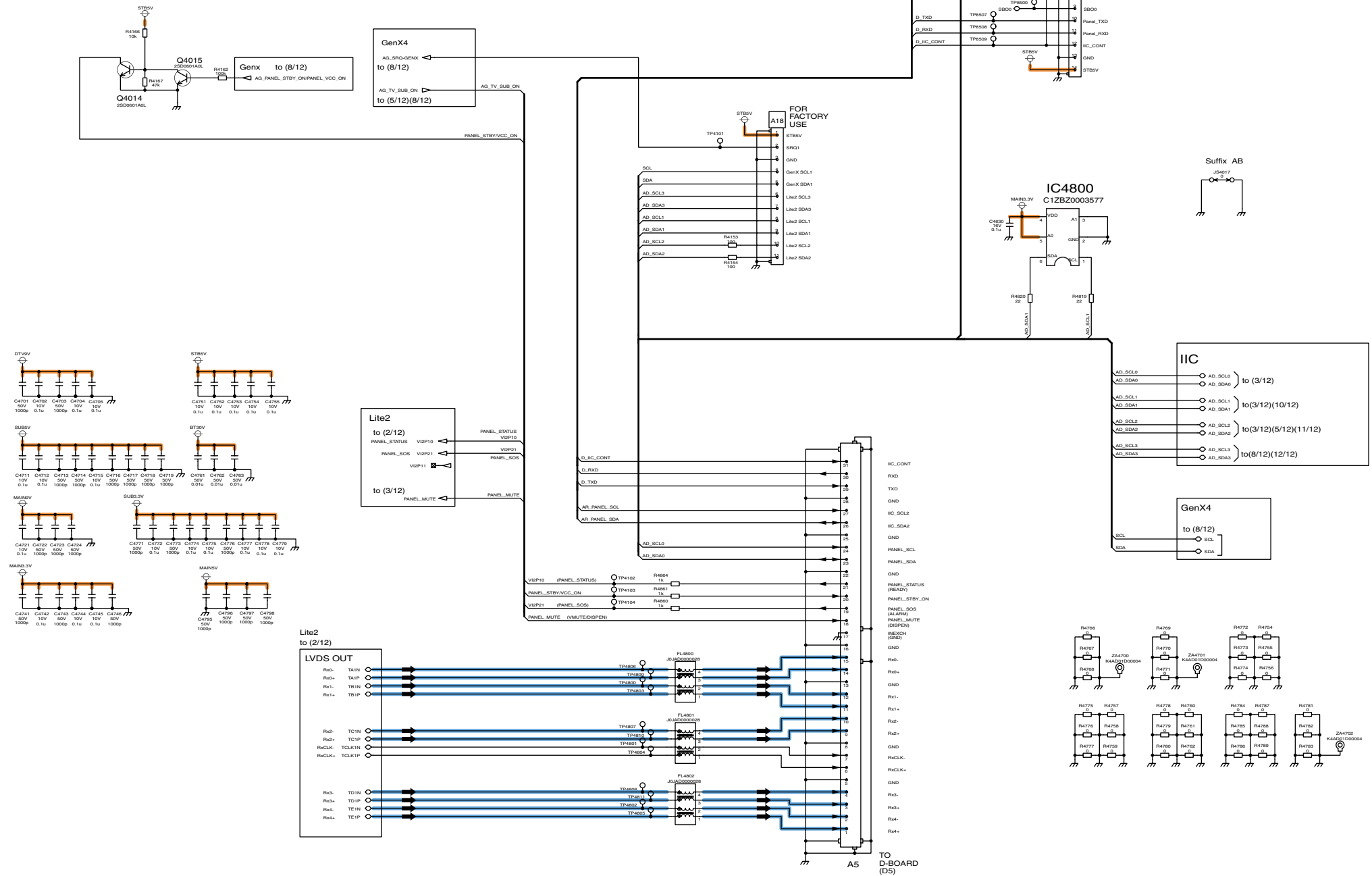
Front End



15.27. A-Board (12 of 12) Schematic Diagram

A-BOARD TNPH0692ABS (12/12)

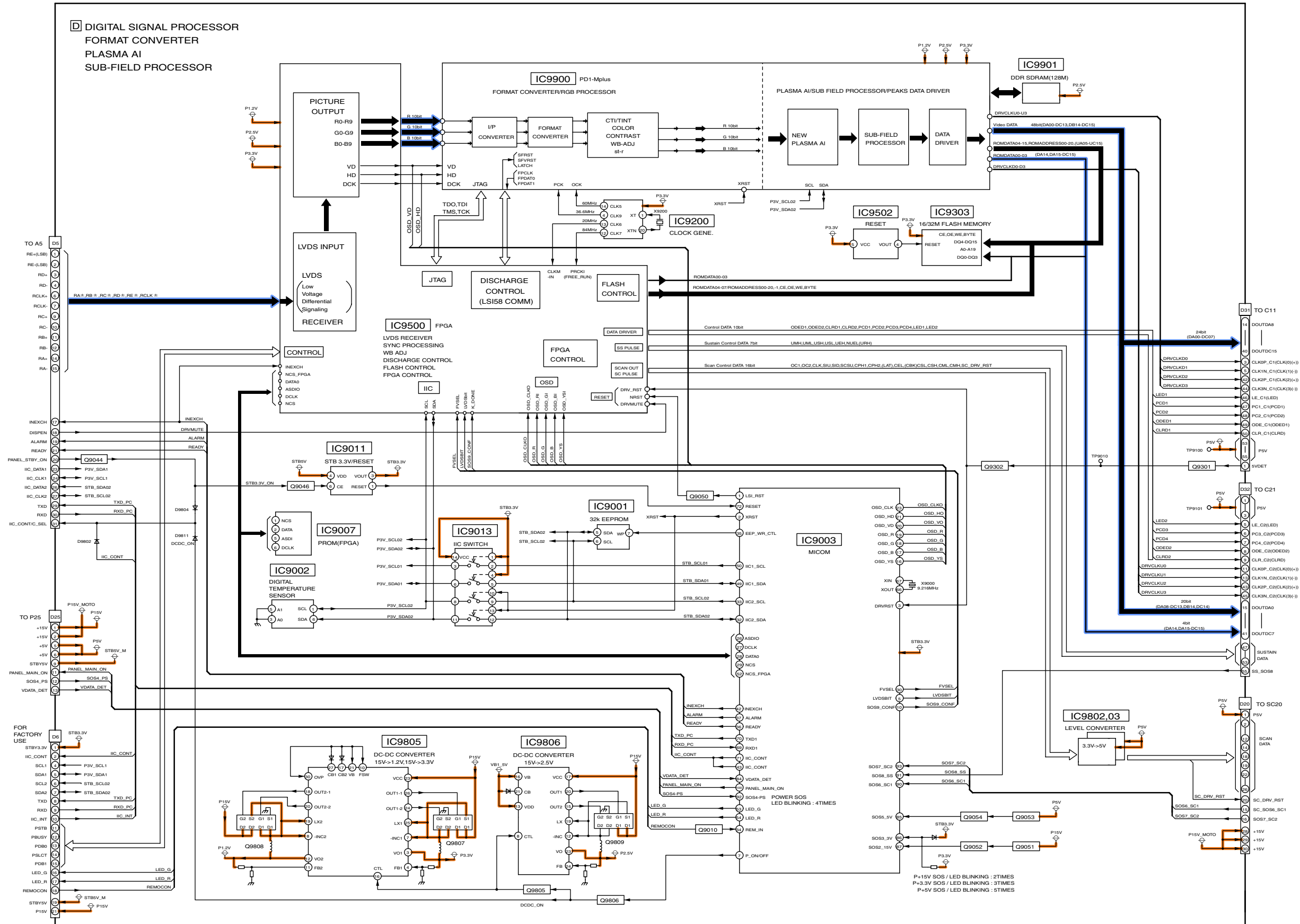
LVDS etc



TH-42PX75U
A-Board (12 of 12) Schematic Diagram

TH-42PX75U
A-Board (12 of 12) Schematic Diagram

15.28. D-Board Block Diagram



TH-42PX75U
D-Board Block Diagram

TH-42PX75U
D-Board Block Diagram

15.29. D-Board (1 of 6) Schematic Diagram

A

! D-BOARD TZTNP01LPTU (1/6)

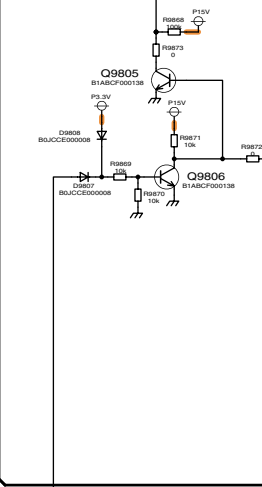
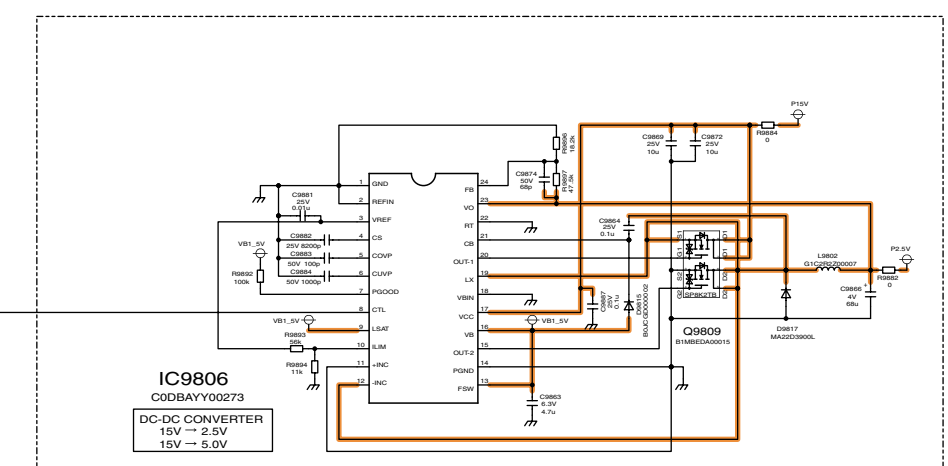
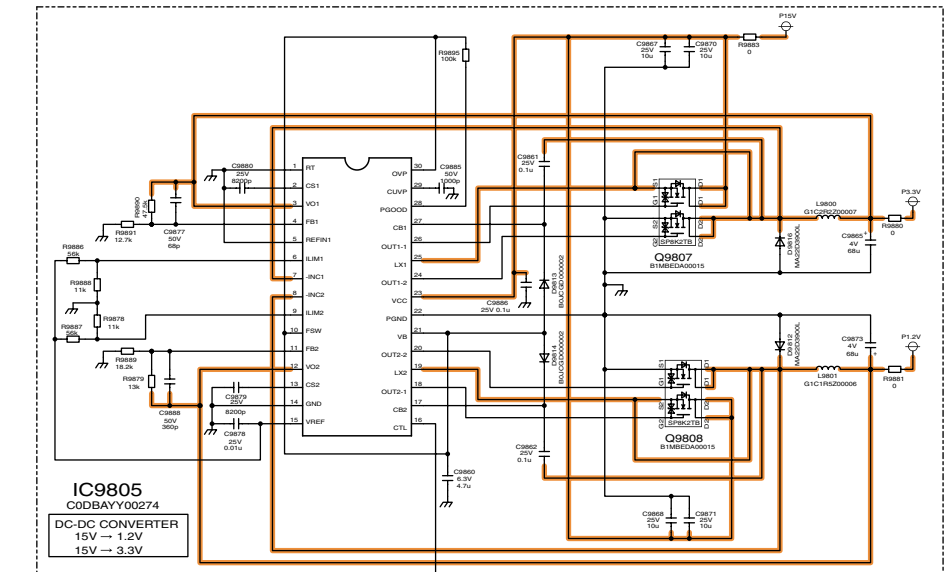
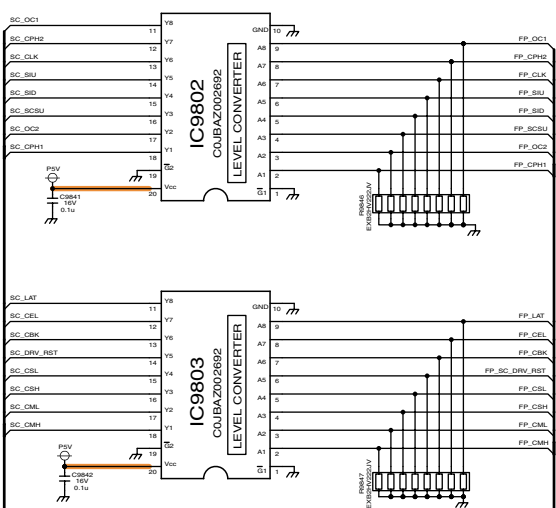
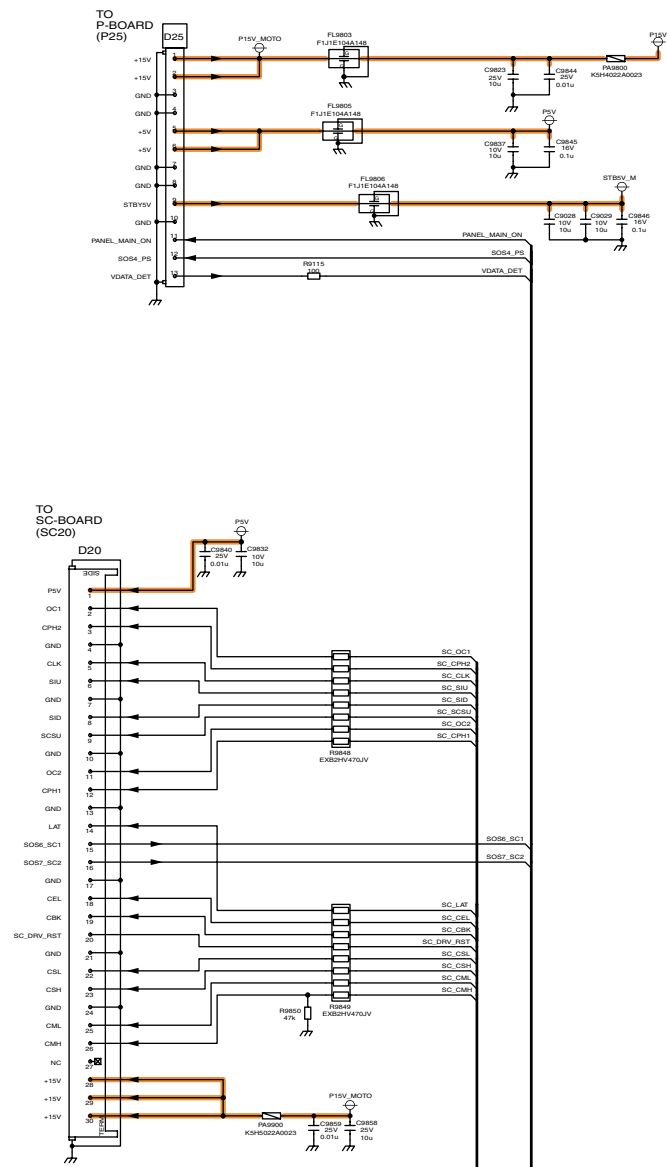
B

C

D

E

F



TH-42PX75U
D-Board (1 of 6) Schematic Diagram

TH-42PX75U
D-Board (1 of 6) Schematic Diagram

1

2

3

4

5

6

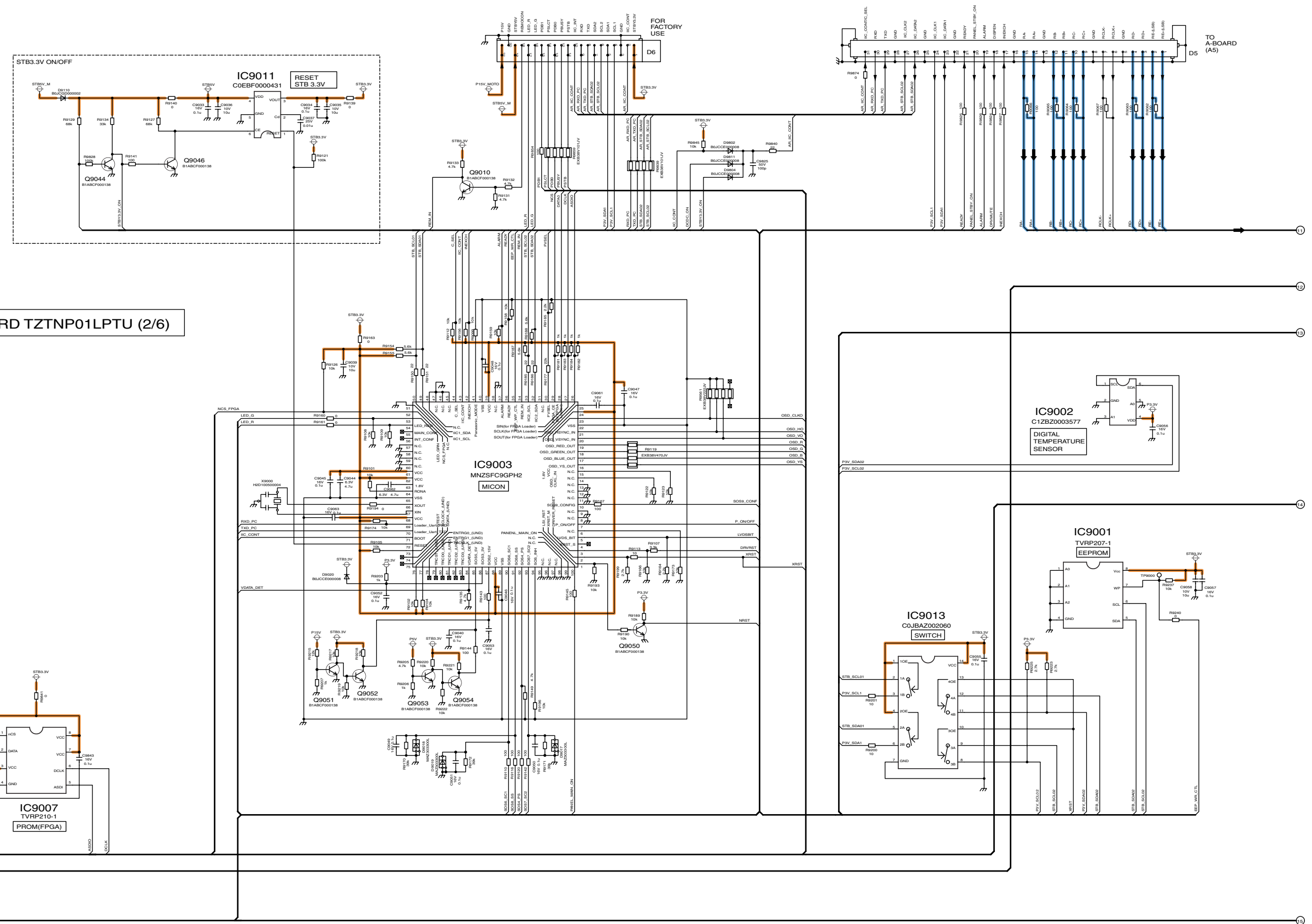
7

8

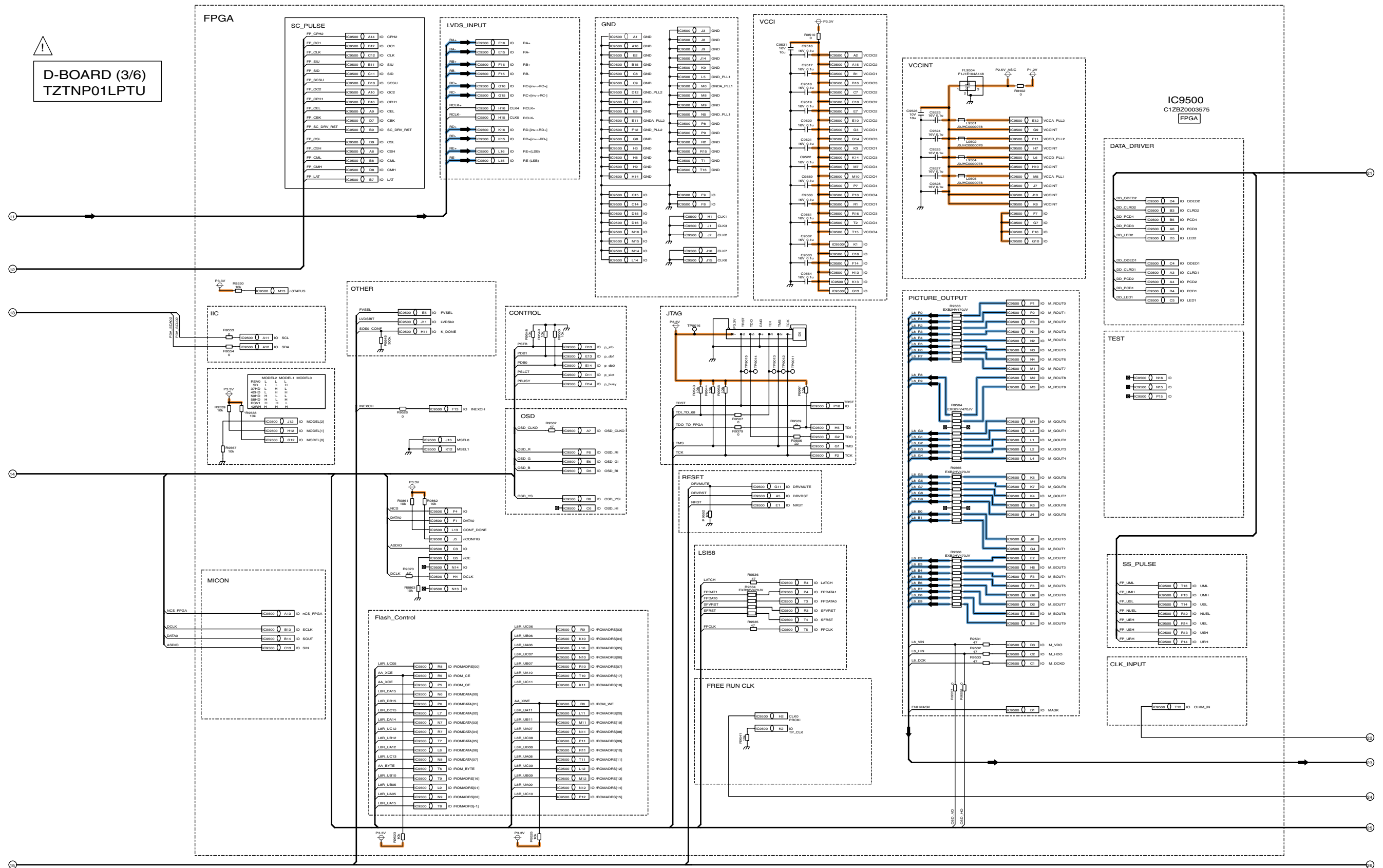
9

15.30. D-Board (2 of 6) Schematic Diagram

! D-BOARD TZTNP01LPTU (2/6)



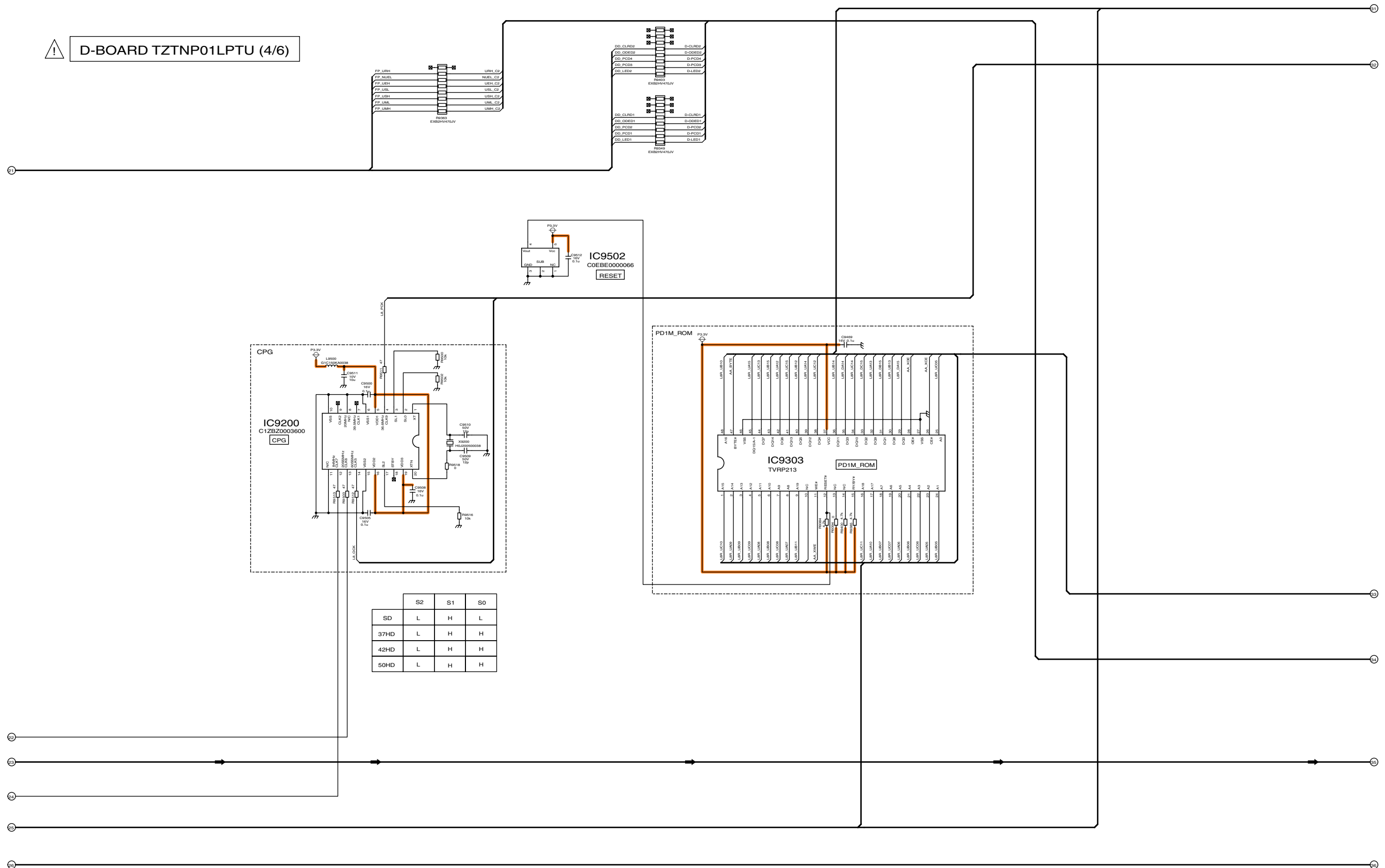
15.31. D-Board (3 of 6) Schematic Diagram



TH-42PX75U
D-Board (3 of 6) Schematic Diagram

TH-42PX75U
D-Board (3 of 6) Schematic Diagram

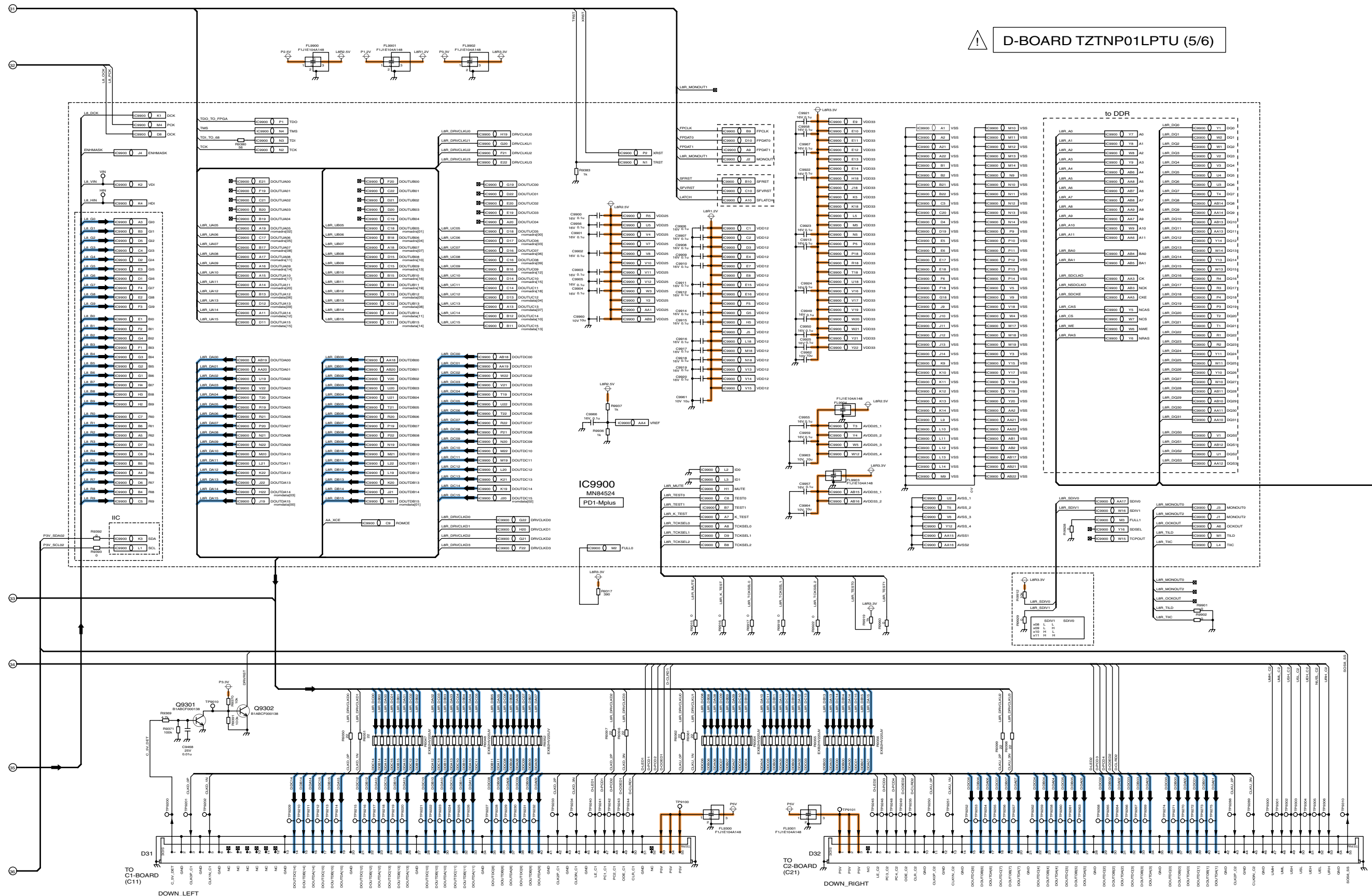
15.32. D-Board (4 of 6) Schematic Diagram



TH-42PX75U
D-Board (4 of 6) Schematic Diagram

TH-42PX75U
D-Board (4 of 6) Schematic Diagram

15.33. D-Board (5 of 6) Schematic Diagram



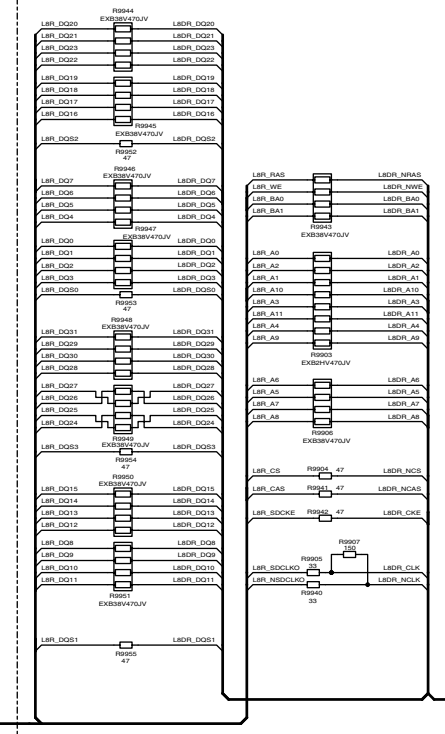
TH-42PX75U
D-Board (5 of 6) Schematic Diagram

TH-42PX75U
D-Board (5 of 6) Schematic Diagram

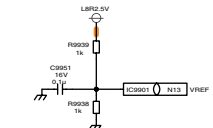
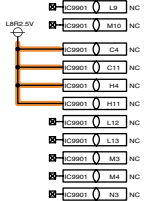
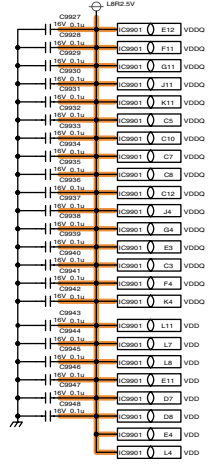
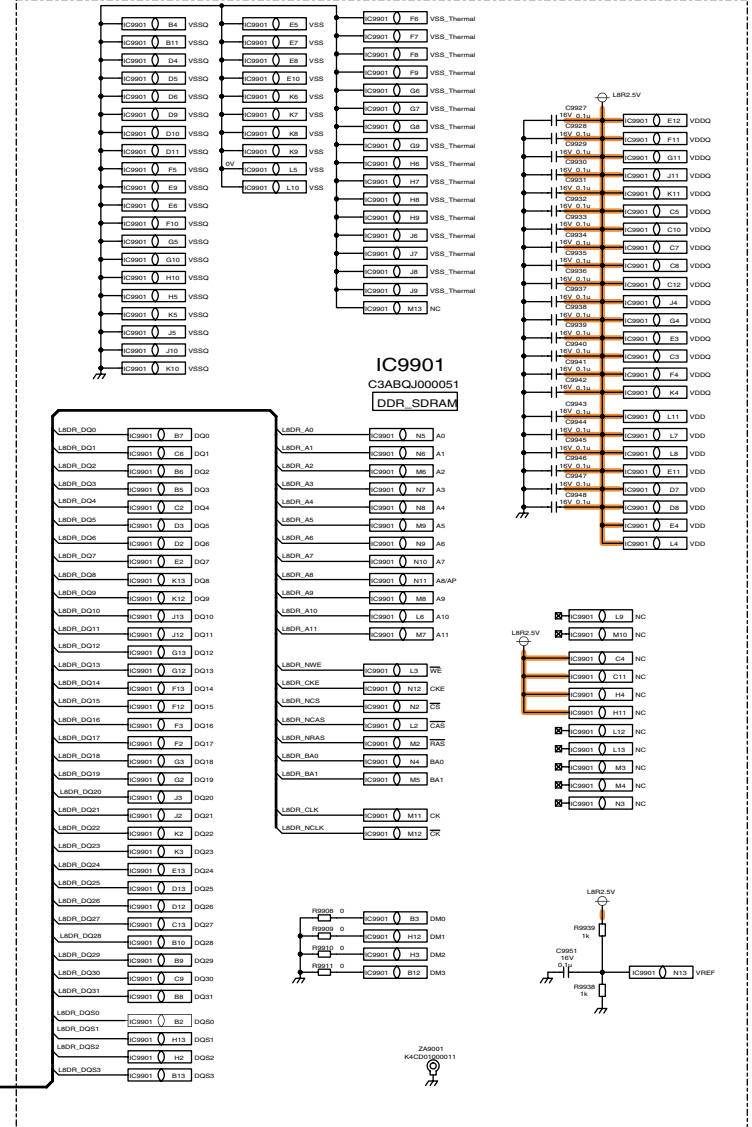
15.34. D-Board (6 of 6) Schematic Diagram

! D-BOARD TZTNP01LPTU (6/6)

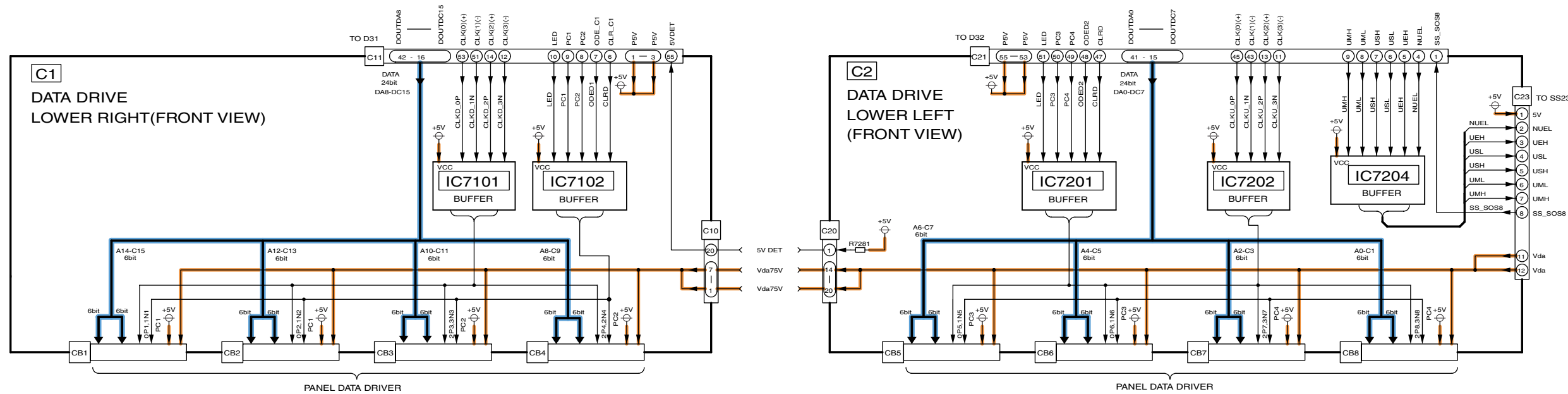
DDR-Terminate



DDR-SDRAM



15.35. C1 and C2-Board Block Diagram



15.36. C1-Board (1 of 2) Schematic Diagram

! C1-BOARD TXNC11HNTU (1/2)

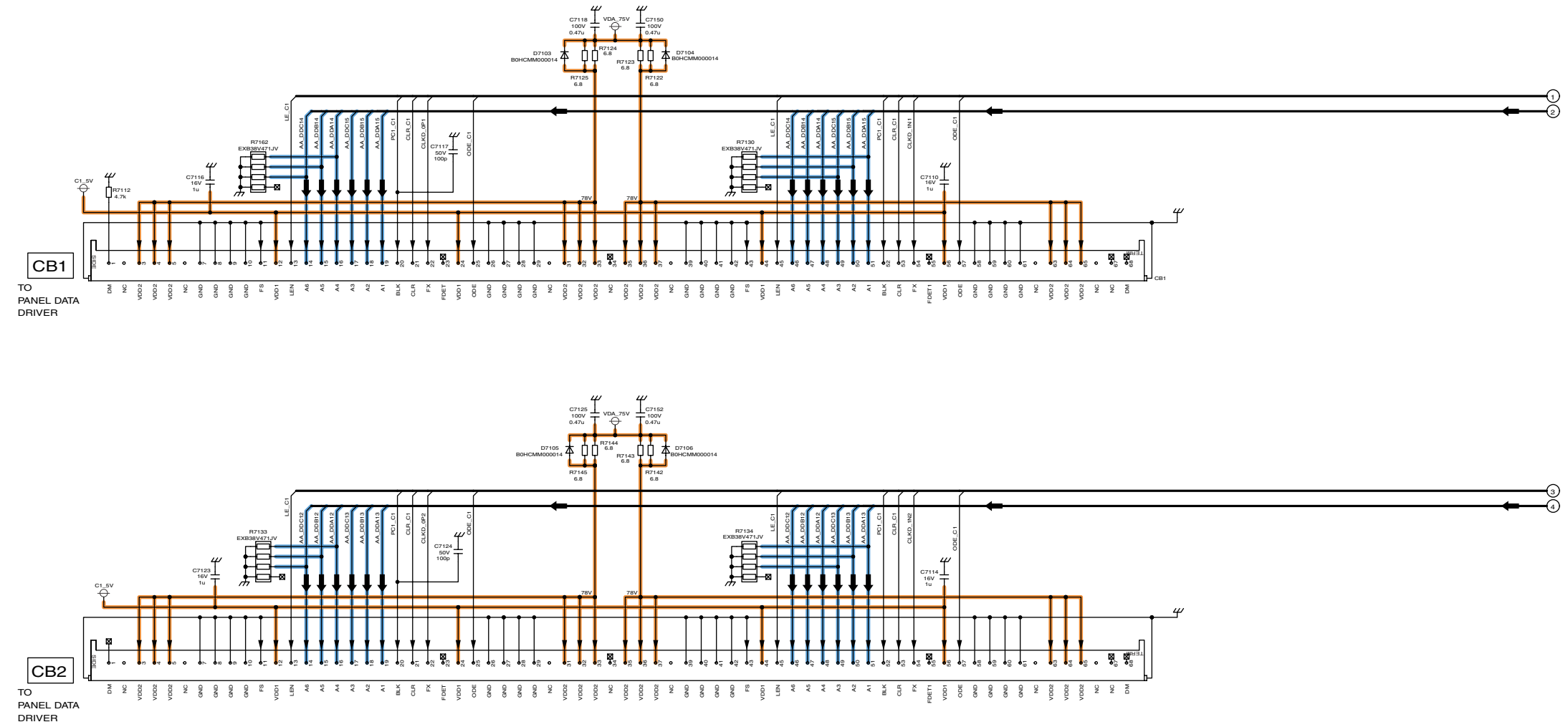
A

B

C

D

E



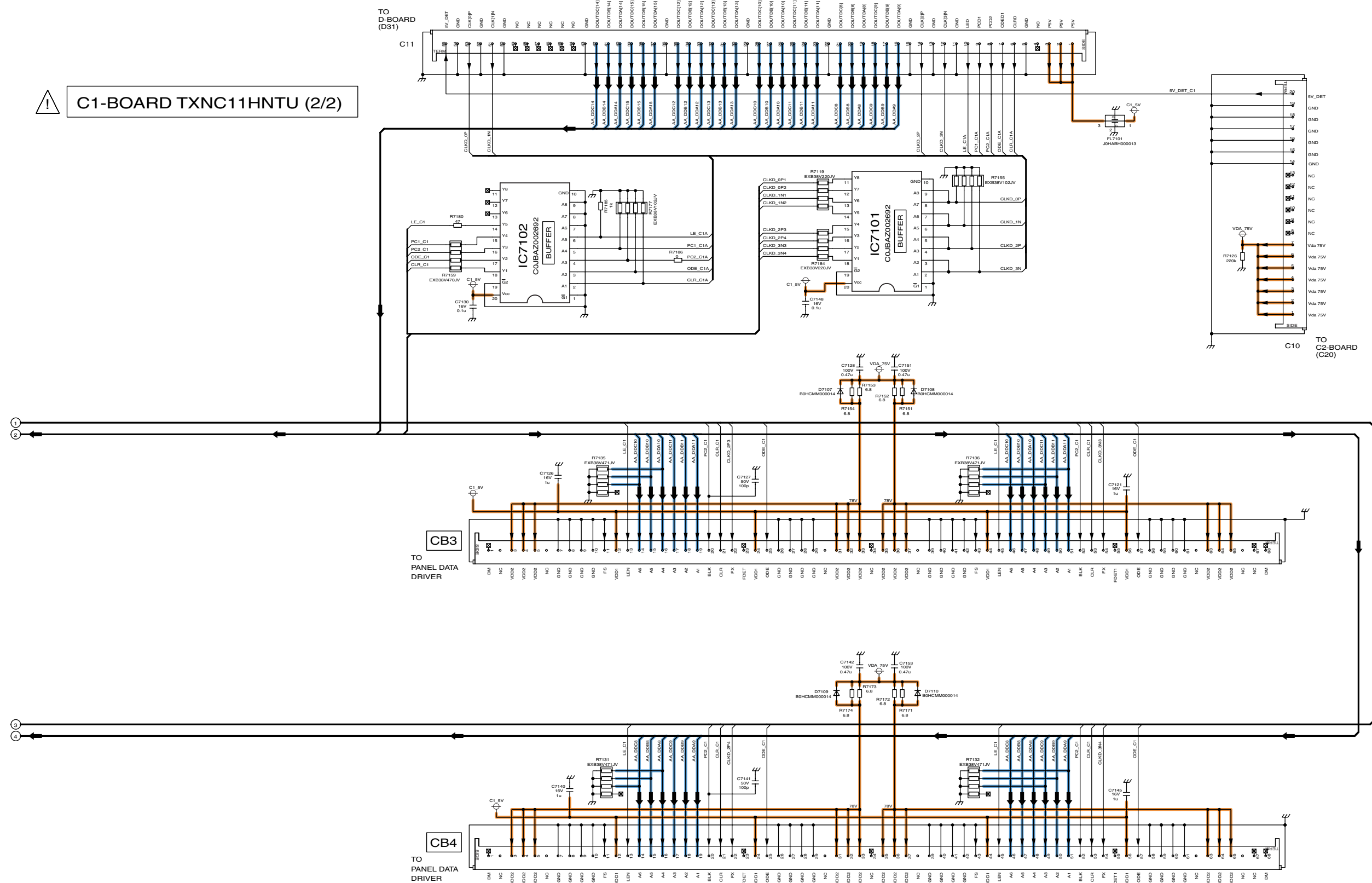
TH-42PX75U
C1-Board (1 of 2) Schematic Diagram

TH-42PX75U
C1-Board (1 of 2) Schematic Diagram

1 2 3 4 5 6 7 8

15.37. C1-Board (2 of 2) Schematic Diagram

C1-BOARD TXNC11HNTU (2/2)

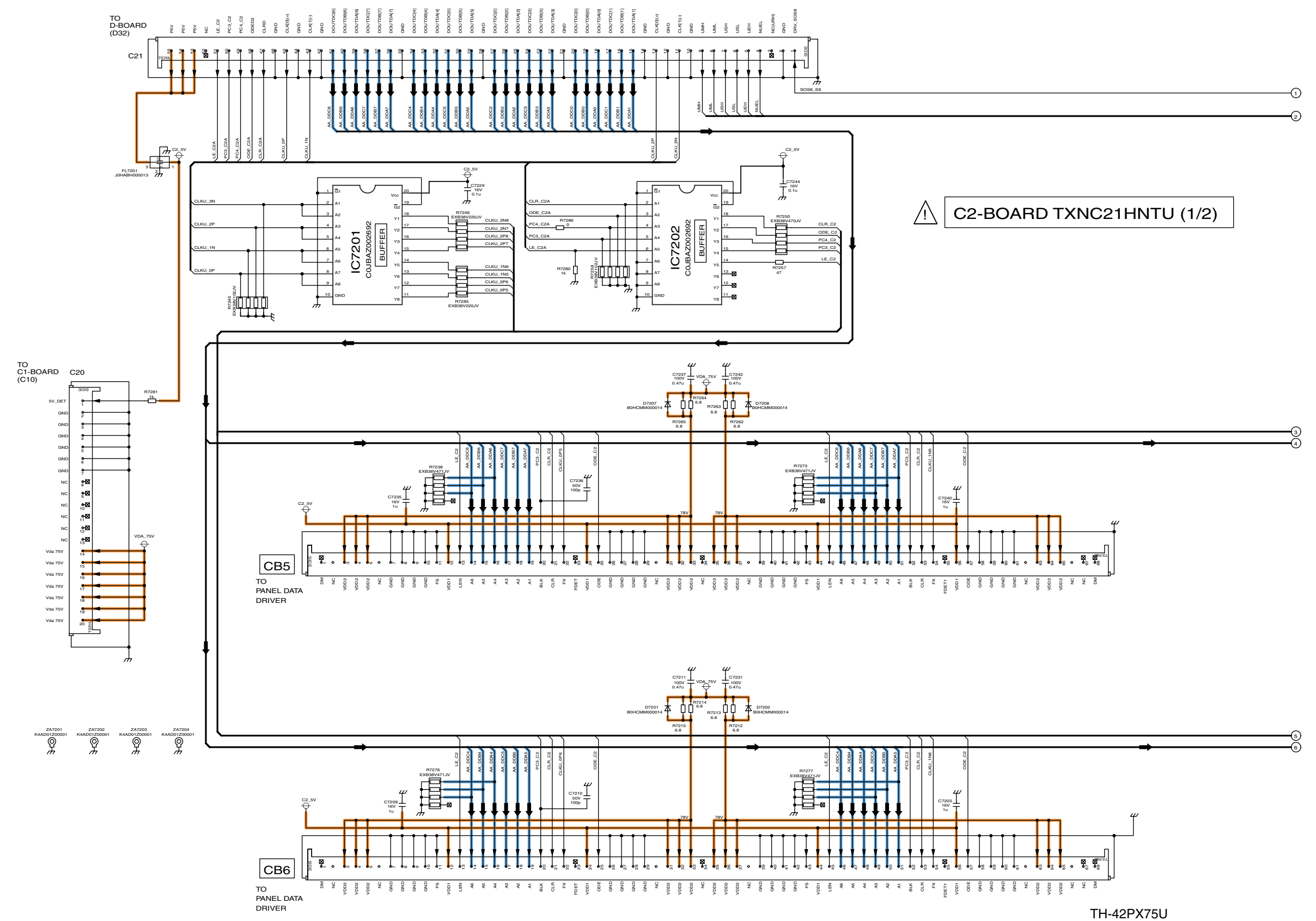


TH-42PX75U
C1-Board (2 of 2) Schematic Diagram

TH-42PX75U
C1-Board (2 of 2) Schematic Diagram

15.38. C2-Board (1 of 2) Schematic Diagram

A
B
C
D
E



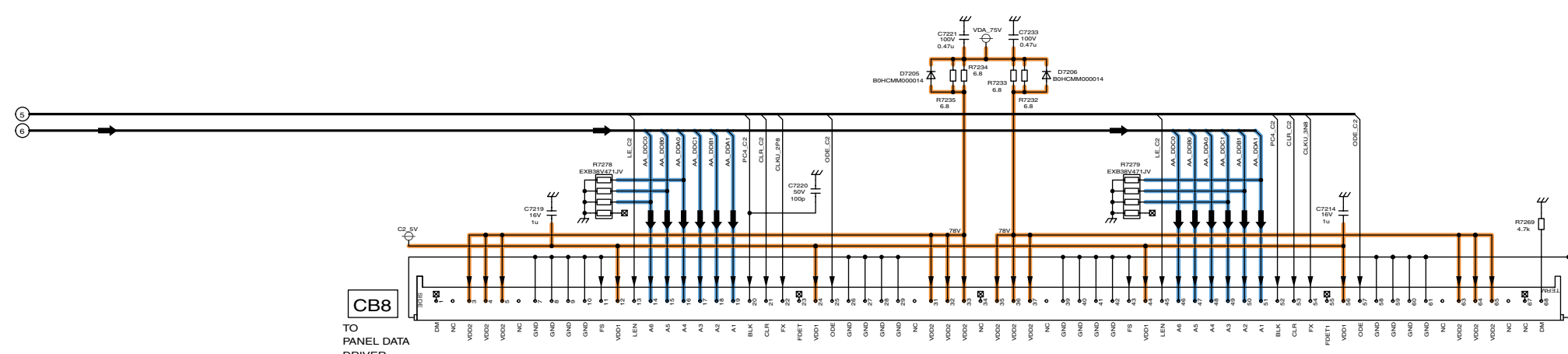
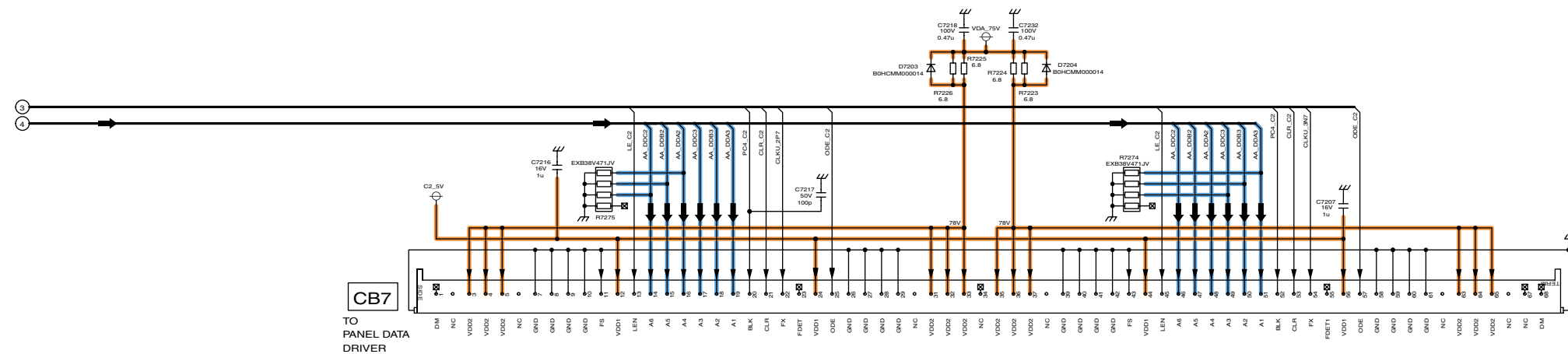
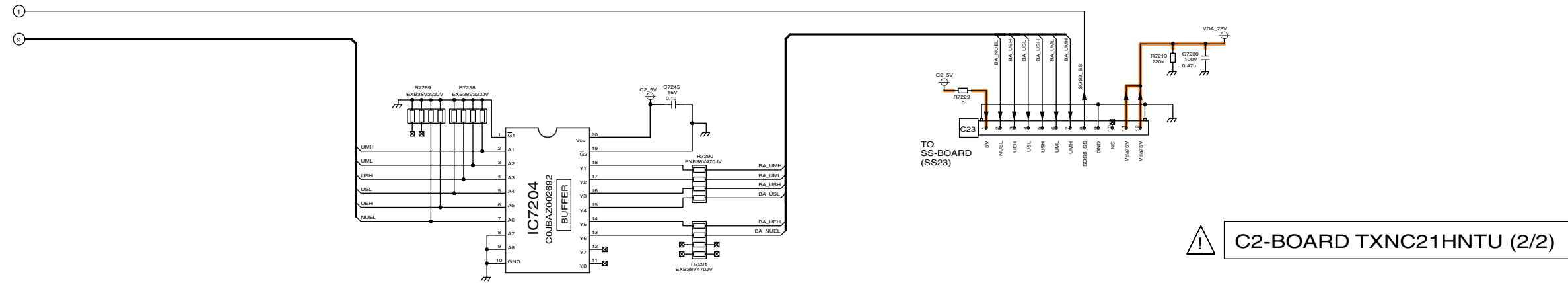
⚠ C2-BOARD TXNC21HNTU (1/2)

TH-42PX75U
C2-Board (1 of 2) Schematic Diagram

TH-42PX75U
C2-Board (1 of 2) Schematic Diagram

1 2 3 4 5 6 7 8

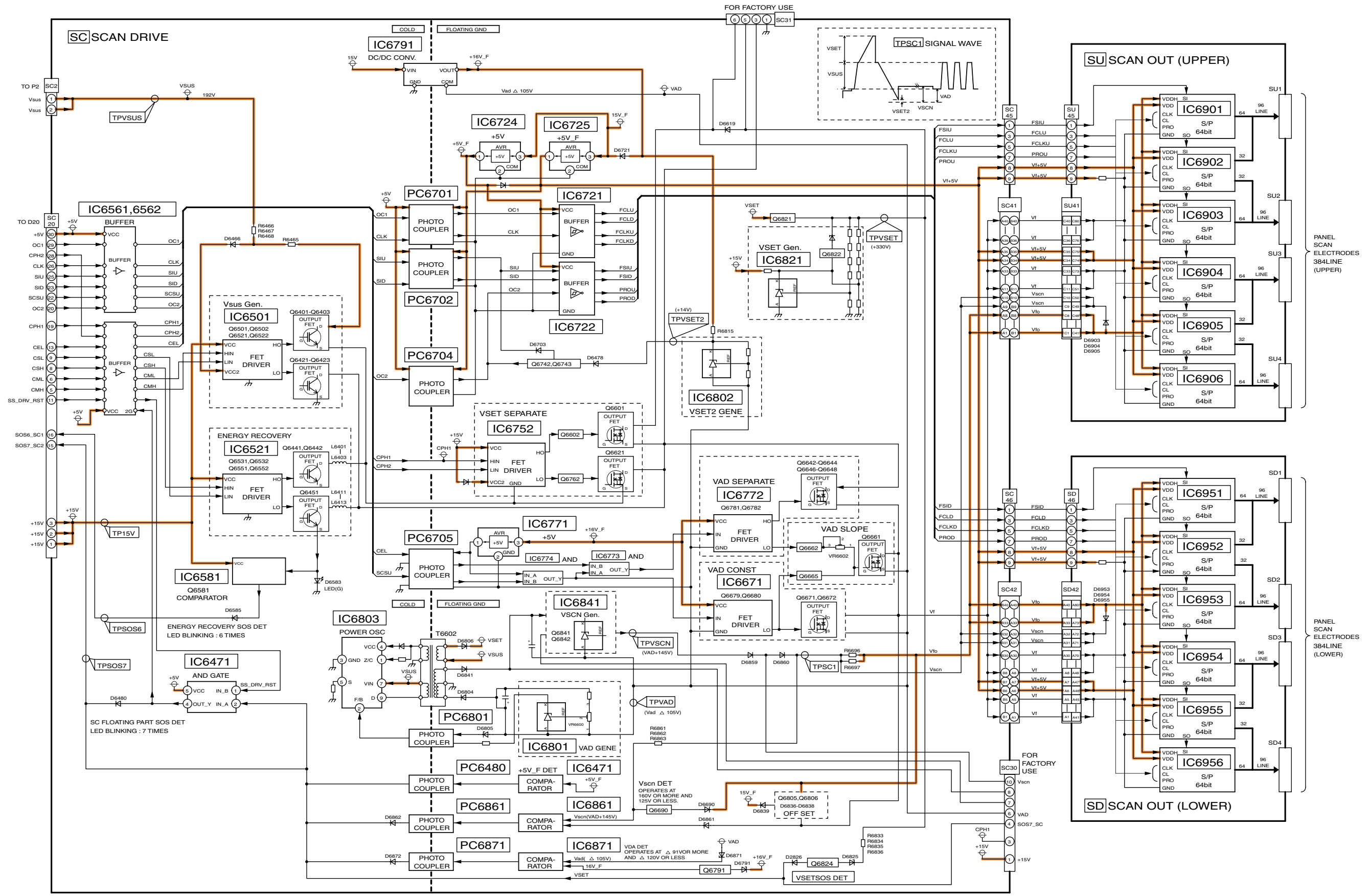
15.39. C2-Board (2 of 2) Schematic Diagram



TH-42PX75U
C2-Board (2 of 2) Schematic Diagram

TH-42PX75U
C2-Board (2 of 2) Schematic Diagram

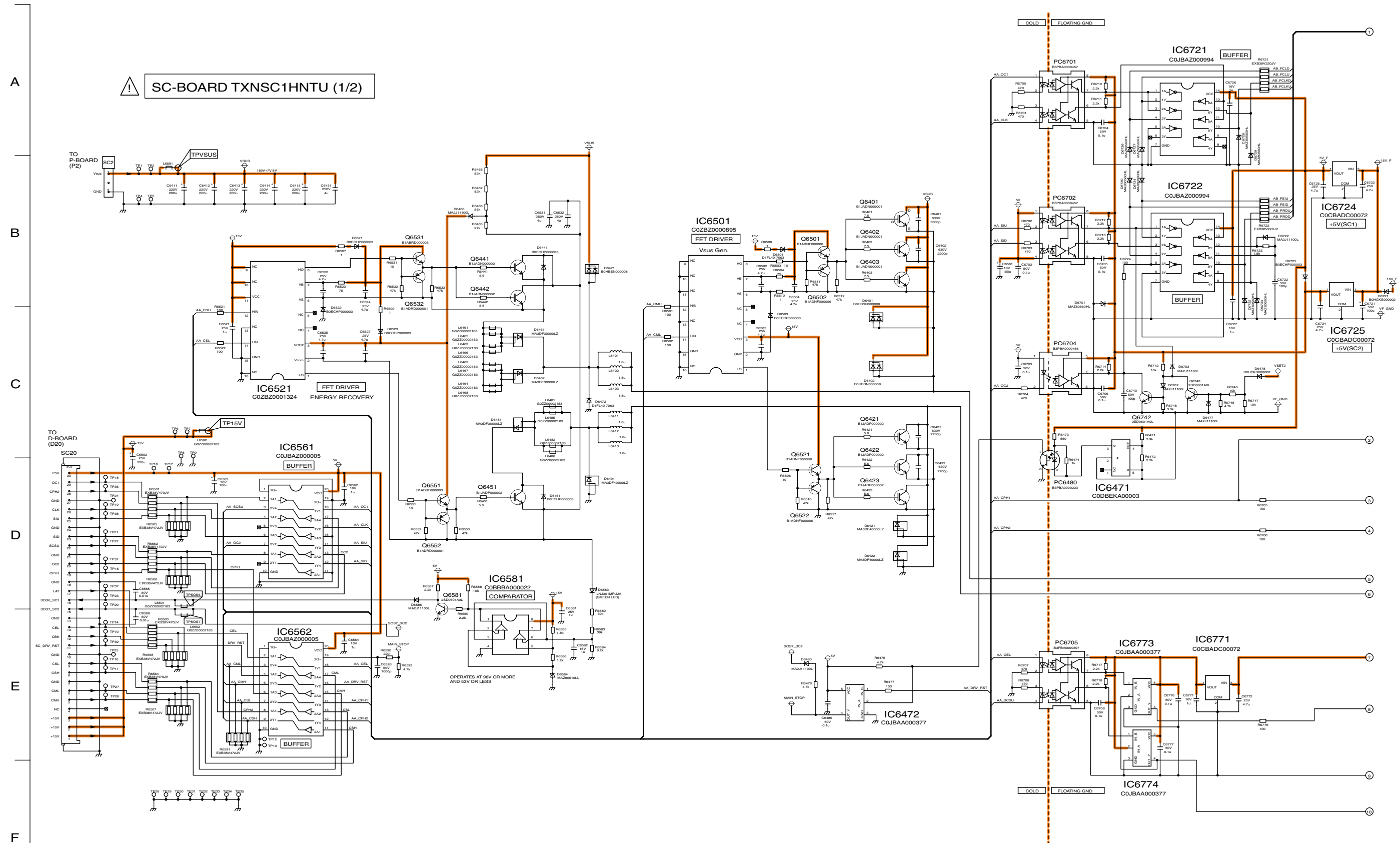
15.40. SC, SU and SD-Board Block Diagram



TH-42PX75U
SC, SU and SD-Board Block Diagram

TH-42PX75U
SC, SU and SD-Board Block Diagram

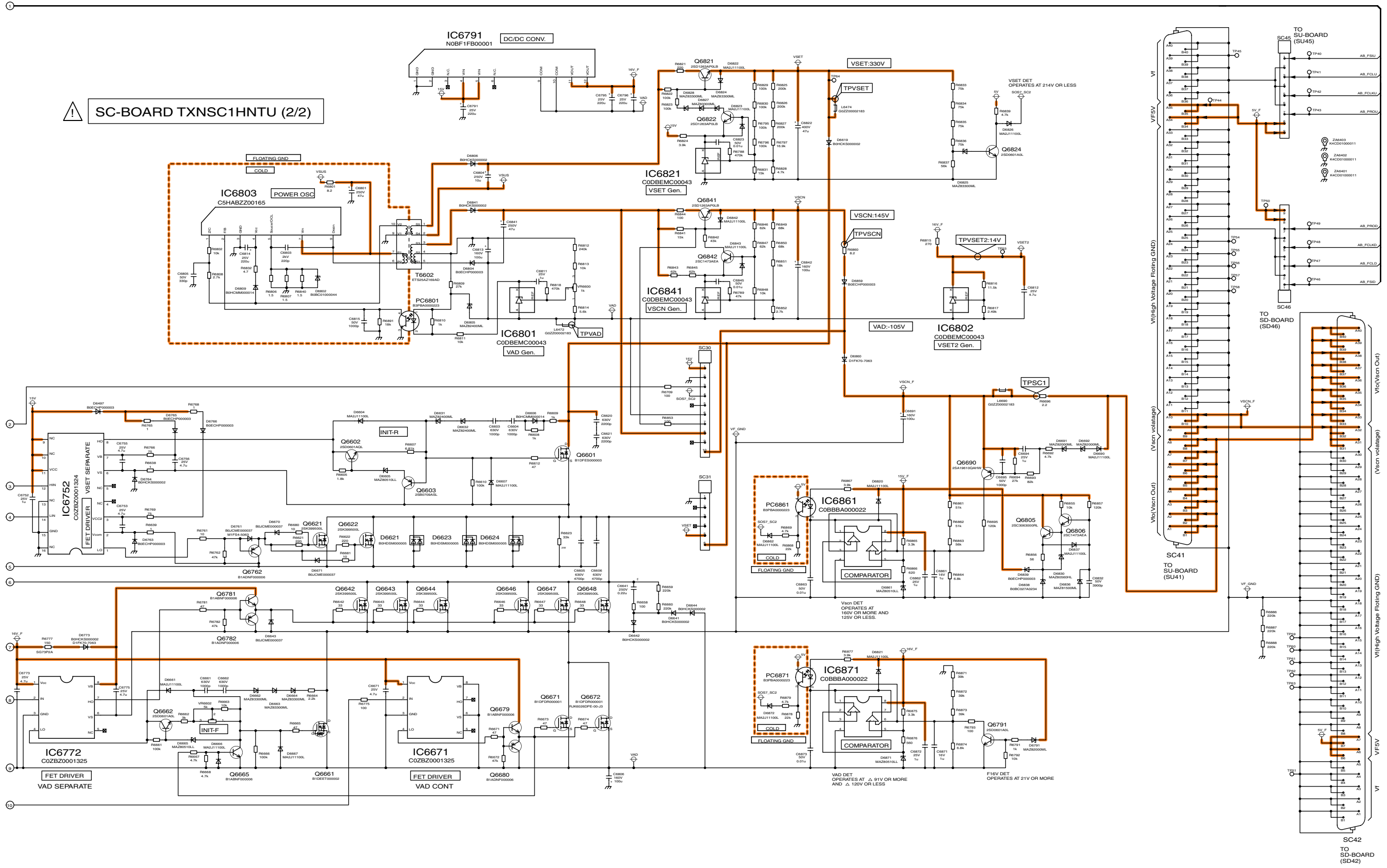
15.41. SC-Board (1 of 2) Schematic Diagram



TH-42PX75U
SC-Board (1 of 2) Schematic Diagram

TH-42PX75U
SC-Board (1 of 2) Schematic Diagram

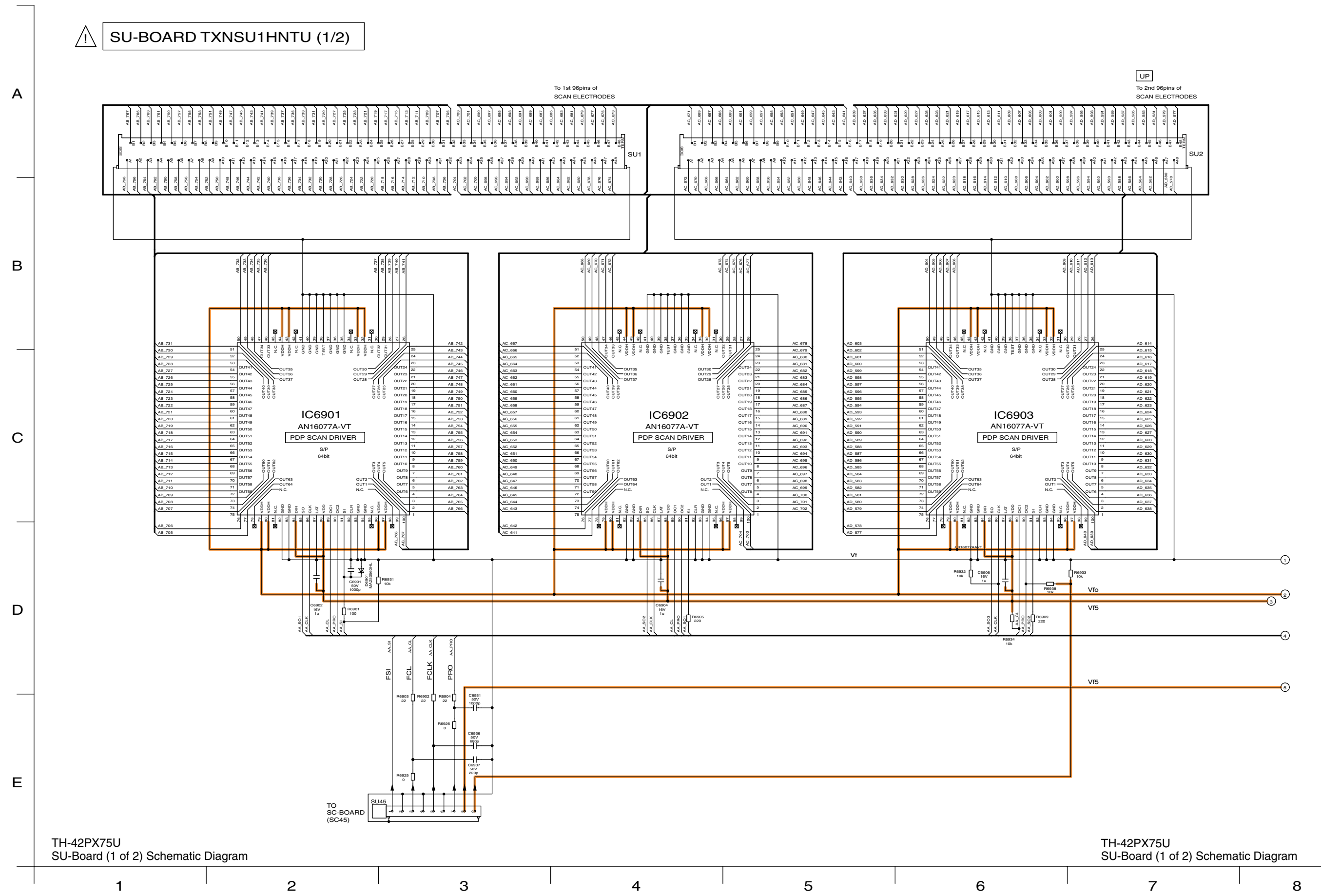
15.42. SC-Board (2 of 2) Schematic Diagram



TH-42PX75U
SC-Board (2 of 2) Schematic Diagram

TH-42PX75U
SC-Board (2 of 2) Schematic Diagram

15.43. SU-Board (1 of 2) Schematic Diagram

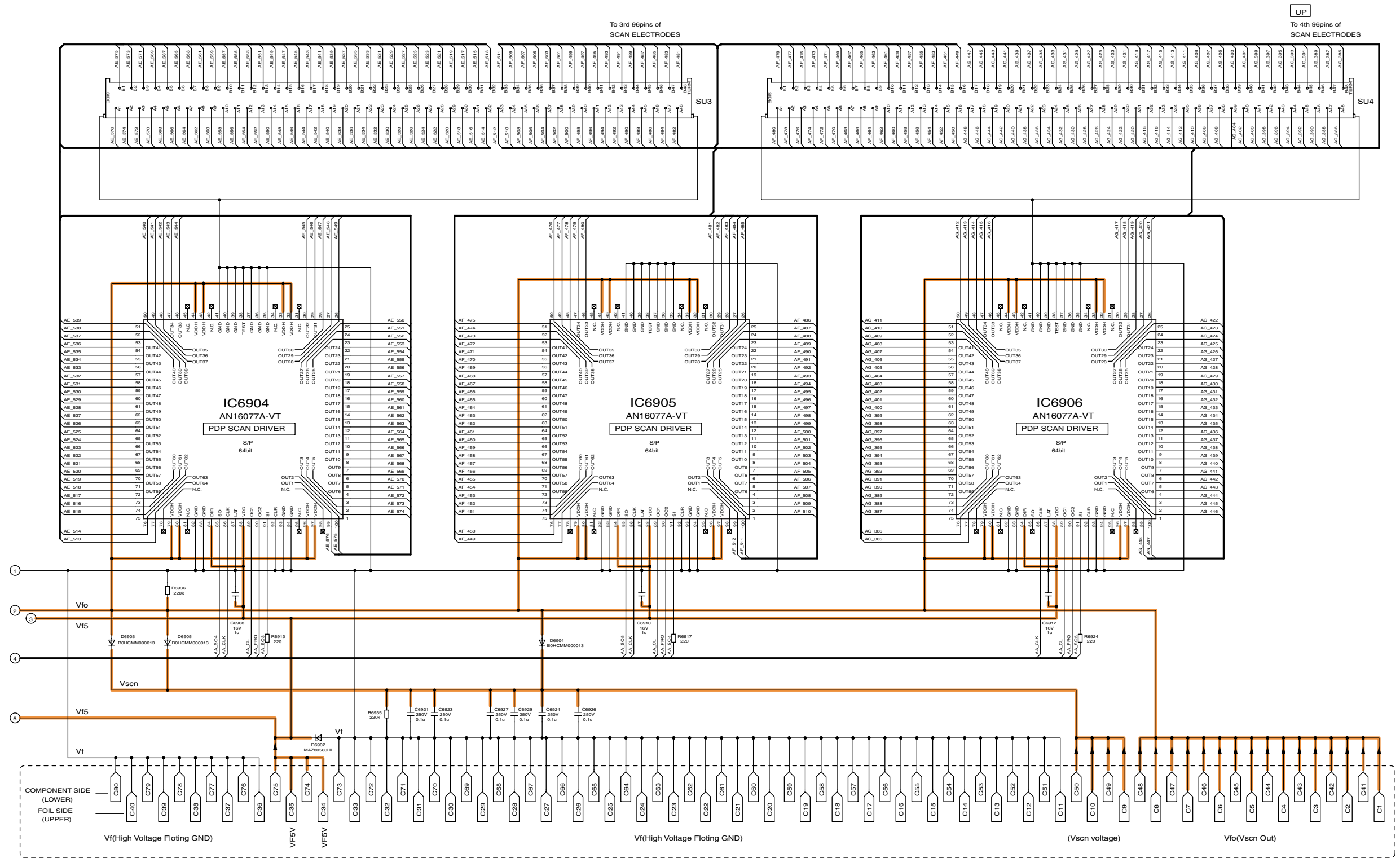


TH-42PX75U
SU-Board (1 of 2) Schematic Diagram

TH-42PX75U
SU-Board (1 of 2) Schematic Diagram

15.44. SU-Board (2 of 2) Schematic Diagram

SU-BOARD TXNSU1HNTU (2/2)



TH-42PX75U
SU-Board (2 of 2) Schematic Diagram

TH-42PX75U
SU-Board (2 of 2) Schematic Diagram

8 9 10 11 12 13 14 15

15.45. SD-BOARD (1 of 2) Schematic Diagram

SD-BOARD TXNSD1HNTU (1/2)

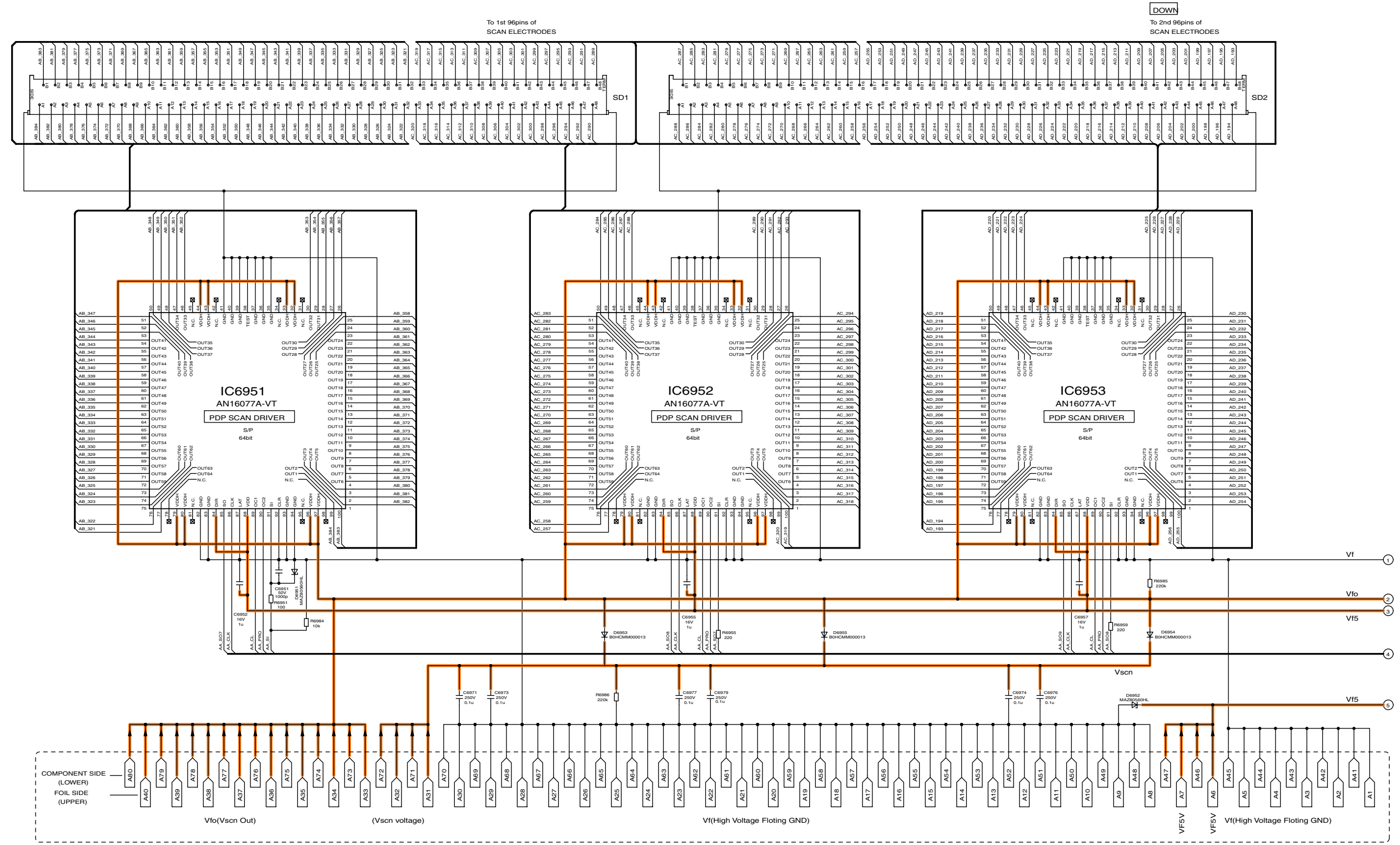
A

B

C

D

E



TH-42PX75U SD-Board (1 of 2) Schematic Diagram

TH-42PX75U SD-Board (1 of 2) Schematic Diagram

1

2

3

4

5

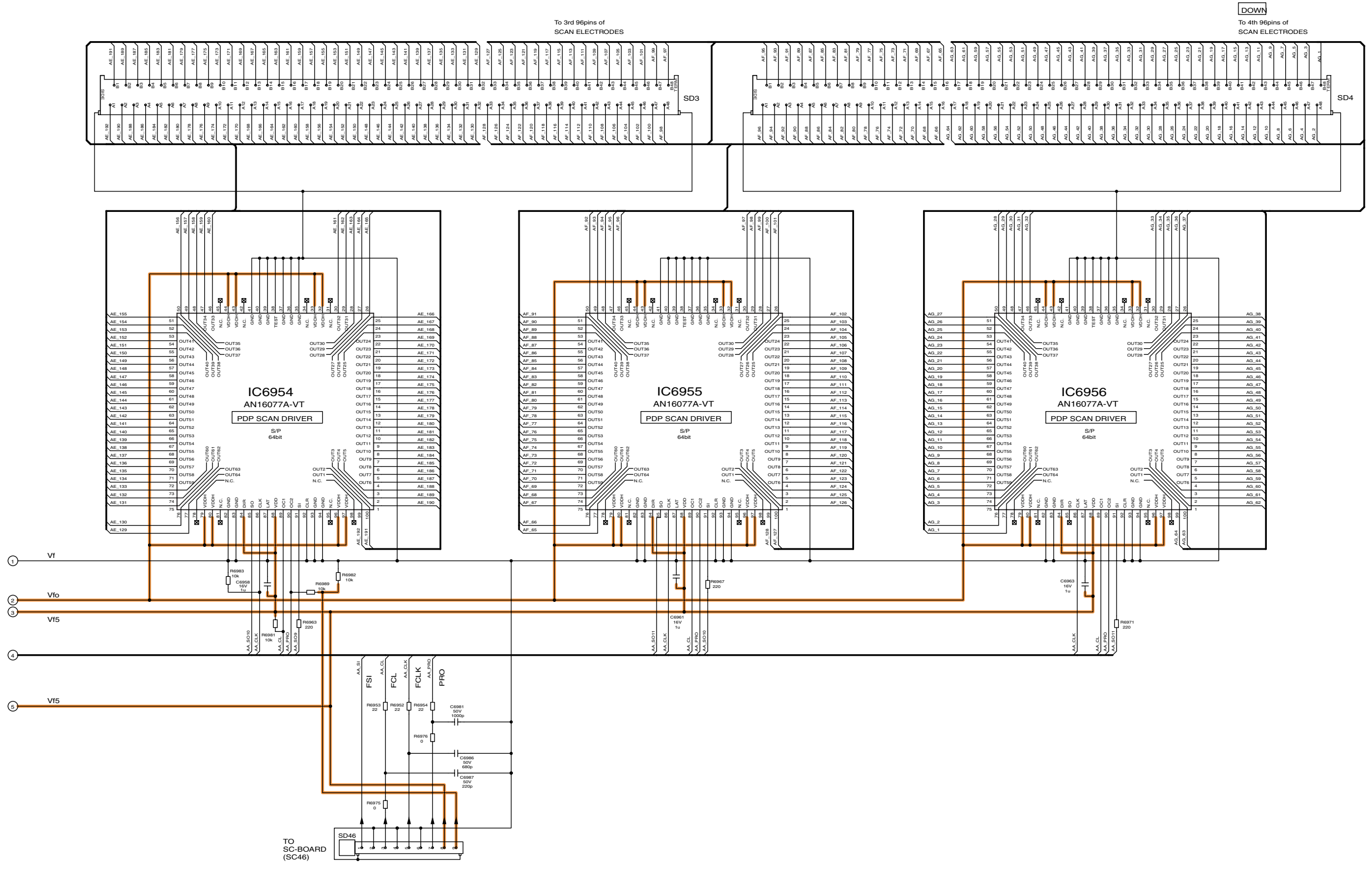
6

7

8

15.46. SD-Board (2 of 2) Schematic Diagram

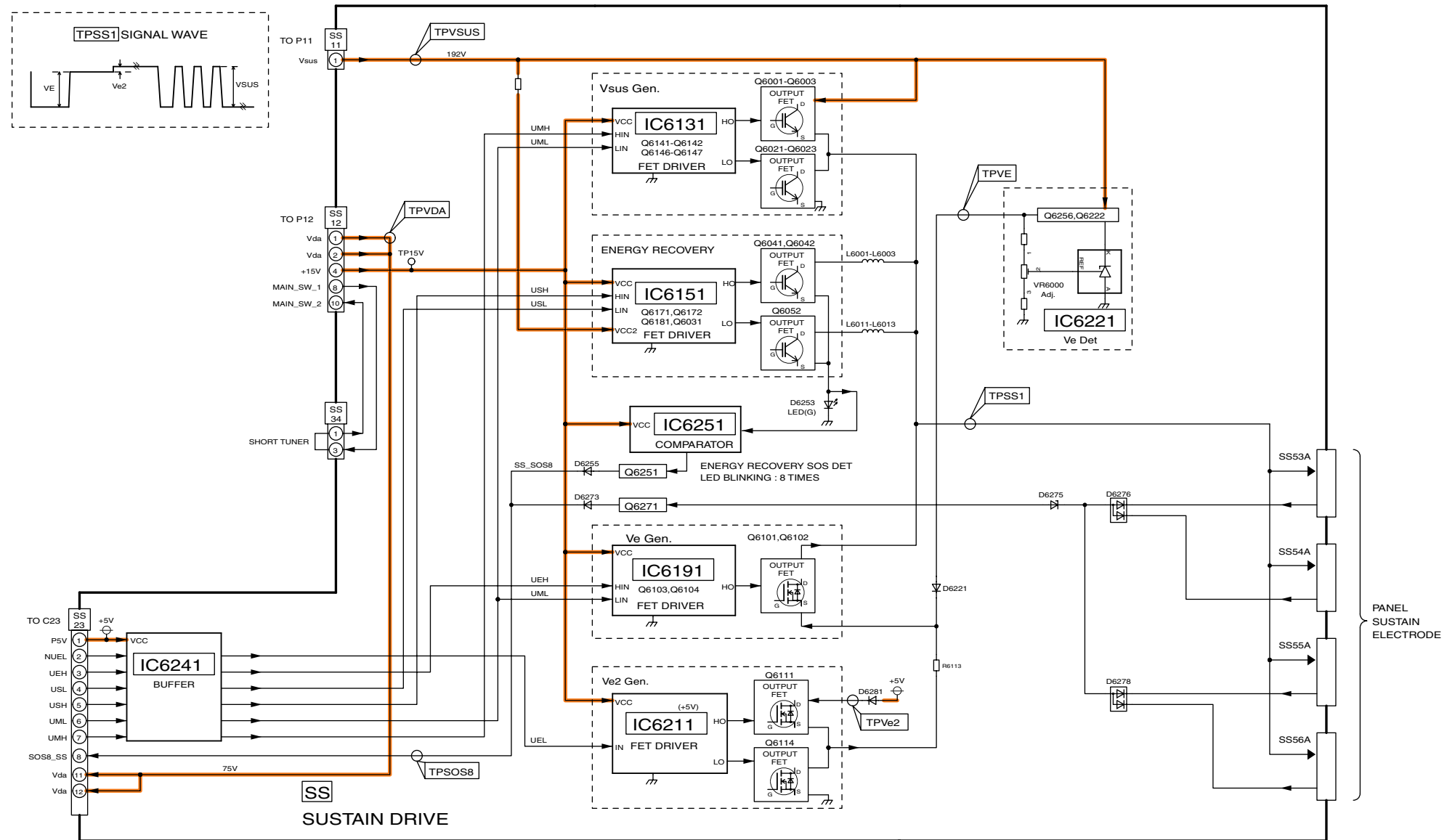
SD-BOARD TXNSD1HNTU (2/2)



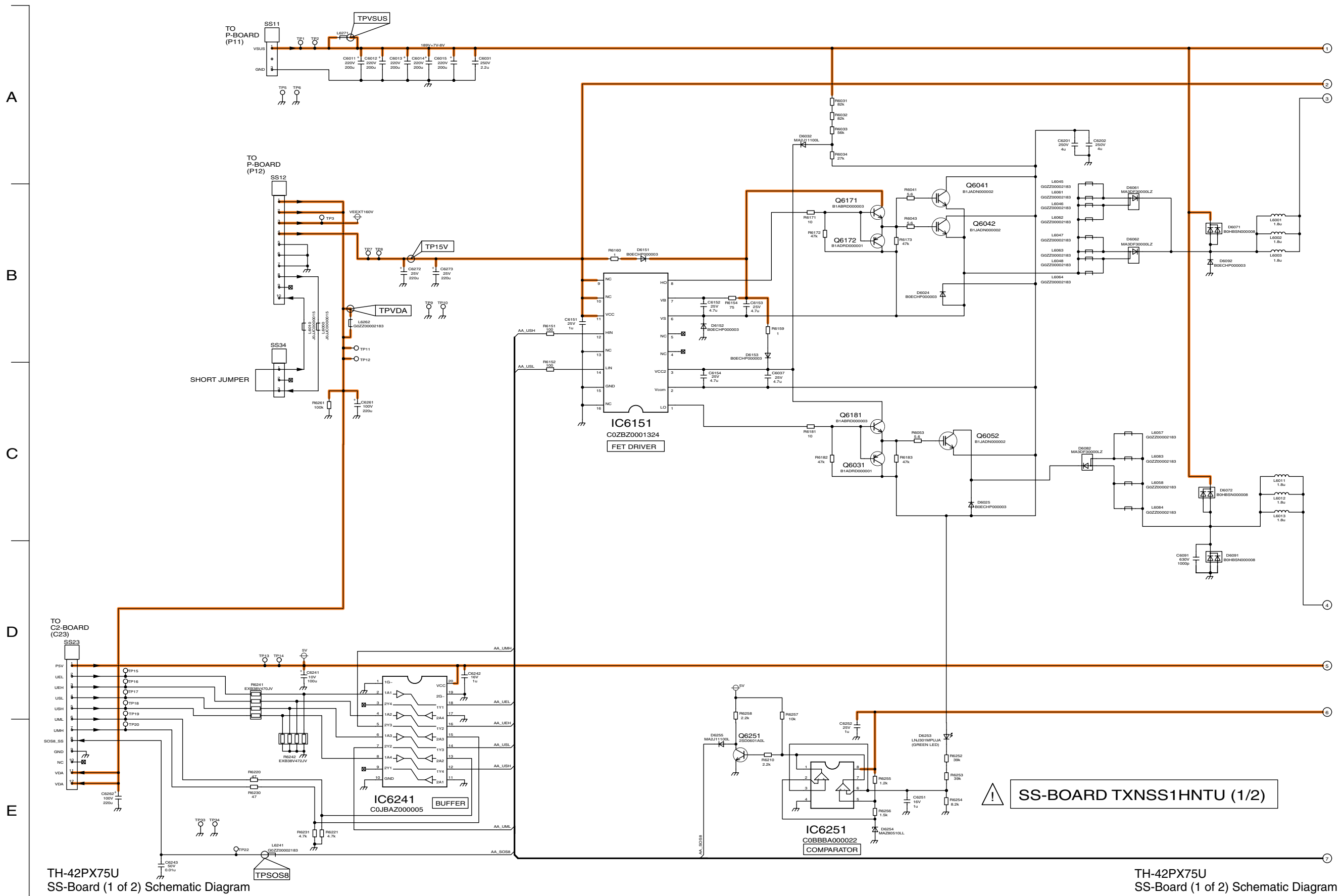
TH-42PX75U SD-Board (2 of 2) Schematic Diagram

TH-42PX75U SD-Board (2 of 2) Schematic Diagram

15.47. SS-Board Block Diagram



15.48. SS-Board (1 of 2) Schematic Diagram

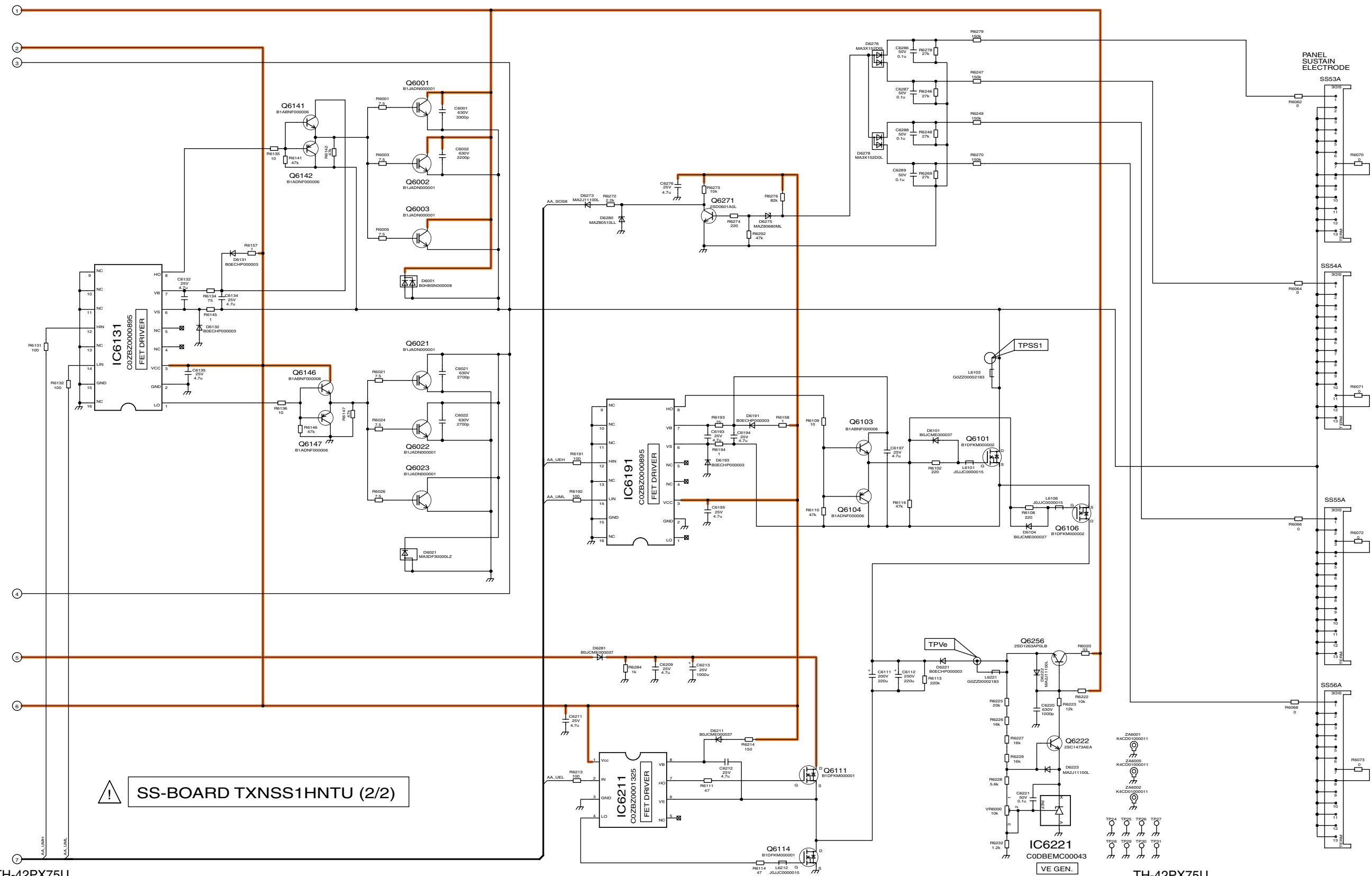


SS-BOARD TXNSS1HNTU (1/2)

TH-42PX75U SS-Board (1 of 2) Schematic Diagram

TH-42PX75U SS-Board (1 of 2) Schematic Diagram

15.49. SS-Board (2 of 2) Schematic Diagram



TH-42PX75U
SS-Board (2 of 2) Schematic Diagram

TH-42PX75U
SS-Board (2 of 2) Schematic Diagram

8

9

10

11

12

13

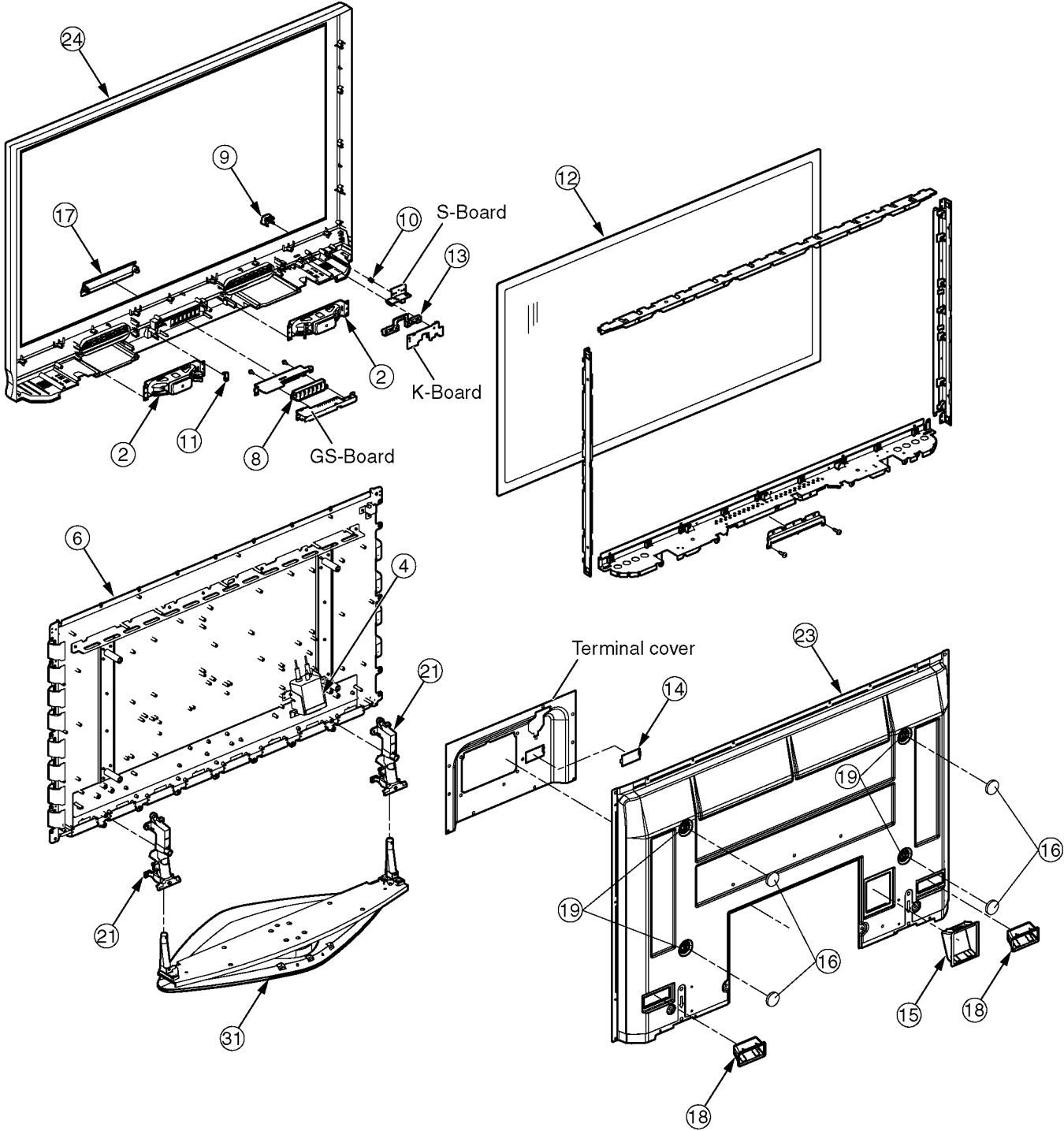
14

15

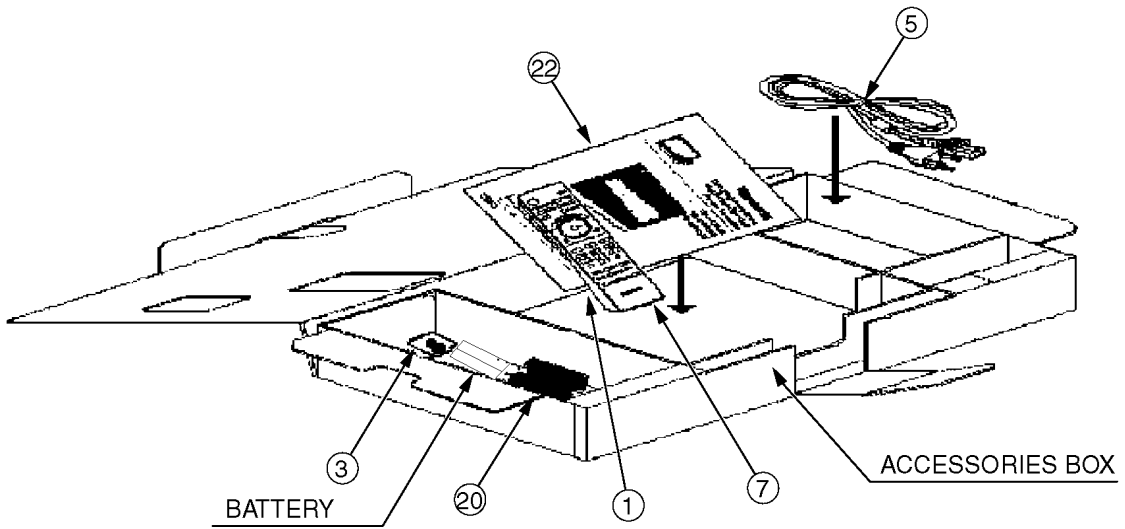
NOTE

16 Exploded Views & Replacement Parts List

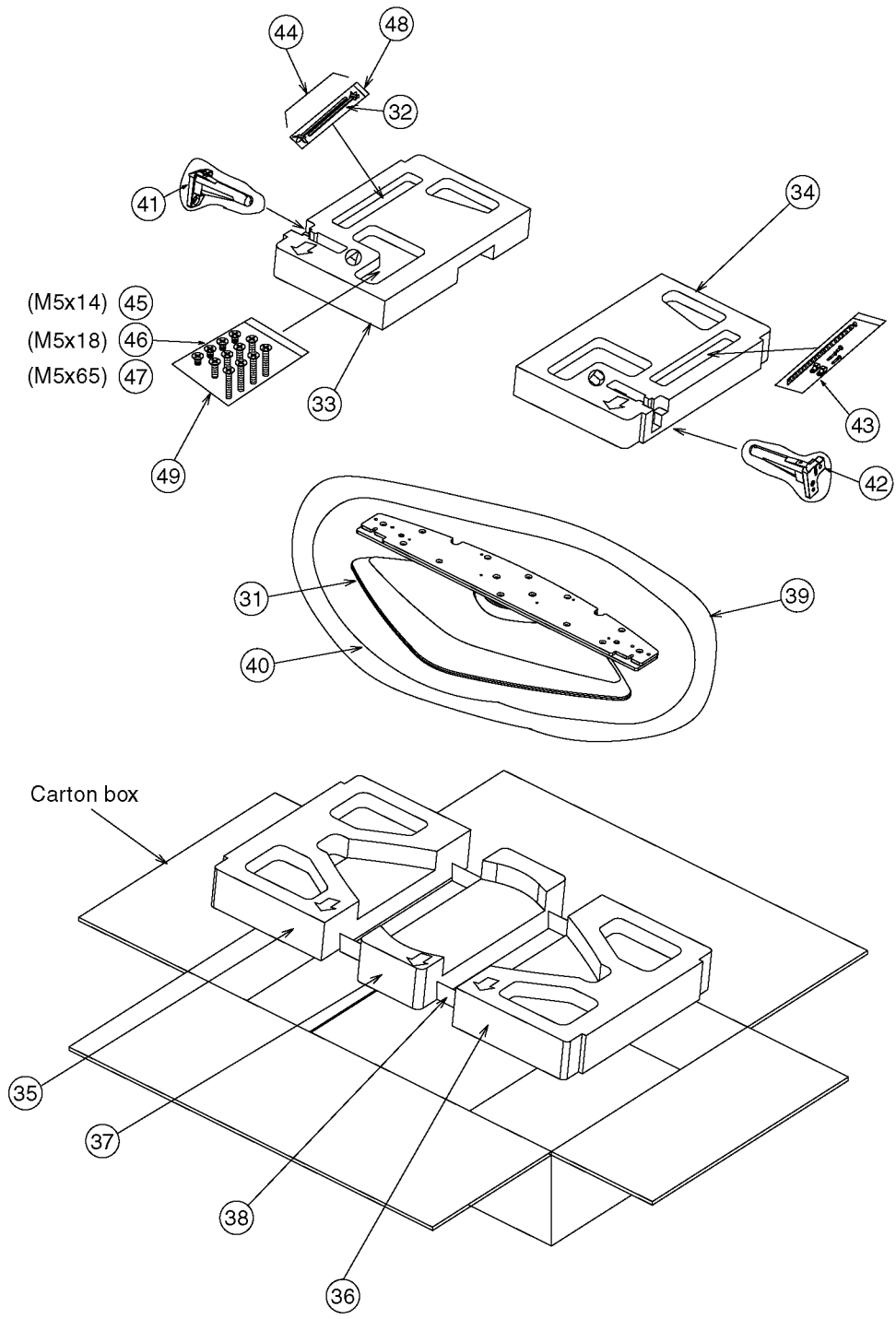
16.1. Exploded Views



16.2. Packing Exploded Views (Accessories box)



16.3. Packing Exploded Views (Stand)



16.4. Replacement Parts List Notes

Important Safety Notice

Components identified by Δ mark have special characteristics important for safety. When replacing any of these components, use only manufacturer's specified parts.

RTL (Retention Time Limited)

Note: The marking (RTL) indicates that the Retention Time is Limited for this item. After the discontinuation of this assembly in production, the item will continue to be available for a specific period of time. The retention period of availability is dependant on the type of assembly, and in accordance with the laws governing part and product retention. After the end of this period, the assembly will no longer be available.

Abbreviation of part name and description

1. Resistor

Example:

ERD25TJ104 C 100KOHM, J, 1/4W
 Type Allowance

2. Capacitor

Example:

ECKF1H103ZF C 0.01UF, Z, 50V
 Type Allowance

Type	Allowance
C : Carbon	F : $\pm 1\%$
F : Fuse	G : $\pm 2\%$
M : Metal Oxide Metal Film	J : $\pm 5\%$
S : Solid	K : $\pm 10\%$
W : Wire Wound	M : $\pm 20\%$

Type	Allowance
C : Ceramic	C : $\pm 0.25\text{pF}$
E : Electrolytic	D : $\pm 0.5\text{pF}$
P : Polyester	F : $\pm 1\text{pF}$
Polyprop	G : $\pm 3\text{pF}$
lene	J : $\pm 5\text{pF}$
T : Tantalum	K : $\pm 10\text{pF}$
	L : $\pm 15\text{pF}$
	M : $\pm 20\text{pF}$
	P : +100%, -0%
	Z : +80%, -20%

16.5. Mechanical Replacement Parts List (PDP TV)

Note:

All parts except parts mentioned [PAVCA] in the Remarks column are supplied by PAVC-CSG.

Parts mentioned [PAVCA] are supplied by PAVCA.

Ref. No.	Part No.	Part Name & Description	Pcs	Remarks
1	10030-0035300	BATTERY COVER	1	PAVCA
2	EAS16S06A	SPEAKER (PED)	2	PAVCA
3	K1RGZBA00001	F TERMINAL (5C TYPE)	1	
4	K2AHYH000012	AC-INLET WITH CABLE	1	PAVCA △
5	K2CG3DH00025	AC CORD	1	△
6	MD42H10A1J	PLASMA DISPLAY PANEL	1	△
	MN865061NNE1	DATA MODULE	8	
7	N2QAYB000103	REMOTE CONTROL	1	PAVCA
8	TBX2AA4001	CONTROL BUTTON	1	PAVCA
9	TBX2AA4012	POWER BUTTON	1	PAVCA
10	TES2AA0141	SPRING	1	PAVCA
11	TES2AA0161	LEAF SPRING	1	PAVCA
	THEL0429	SCREW	19	
	THEL044N	SCREW	10	
	THEL047J	SCREW (HDMI:2)	2	
	THTD011J	SCREW	2	
	THTF011N	SCREW	53	
12	TKGA5324S	FRONT GLASS	1	PAVCA
13	TKK2AA7601	PANEL LIGHT	1	PAVCA
14	TKK2AA7701	ADJUSTMENT COVER	1	PAVCA
15	TKP2AA1912	INLET COVER	1	PAVCA
16	TKP2AA1932	M8 SPACER CAP	4	PAVCA
17	TKP2AA2502	DOOR	1	PAVCA
	TKP2AA2702	BOTTOM COVER	1	PAVCA
	TKP2AA2902	SHEET HOLDER LEFT	1	PAVCA
	TKP2AA3002	SHEET HOLDER RIGHT	1	PAVCA
18	TKR2AA00122	REAR COVER HANDLE	2	PAVCA
	TMM16473-1	CLAMPER	1	
	TMM25401	CLAMPER	1	
19	TMM2AD00601	M8 SPACER	4	PAVCA
	TMM2AX0061	BC HOOK LEFT	1	PAVCA
	TMM2AX0071	BC HOOK RIGHT	1	PAVCA
	TMM7468-1	CLAMPER	1	
	TMME061	CLAMPER	5	
	TMME084	CLAMPER	1	
	TMME088	CLAMPER	1	
	TMME226	AC CORD CLAMPER	1	
	TMME260	CLAMPER	12	
20	TMME289	CLAMPER	2	
	TMME292	CLAMPER	1	
21	TMZ2AX0151	STAND BRACKET	2	PAVCA
22	TQB2AA0751	INSTRUCTION BOOK (ENG/FRE/SPANISH)	1	PAVCA △
	TSXL519	CABLE (C10-C20)	1	
	TSXL562	CABLE (D31-C11/D32-C21)	2	
	TSXL604	CABLE (SC20-D20)	1	
23	TXFKU04RSER	REAR COVER	1	PAVCA △
24	TXFKY01LPTU	CABINET ASSY	1	PAVCA △
	TXJSWRLPTU	SPEAKER LEAD	1	PAVCA
	XTB4+12GFJ	SCREW	47	
	XTB4+12GFJK	SCREW	14	
	XTB4+16GFJ	SCREW	2	
	XTV3+10JFJK	SCREW	1	
	XTW3+10TFJ	SCREW	3	
	XYN3+F10FJ	SCREW	1	
	XYN3+F8FJ	SCREW	16	
	XYN3+J12FJ	SCREW	26	
	XYN3+J6FJ	SCREW	1	
	XYN4+E8FJ	SCREW	1	

Ref. No.	Part No.	Part Name & Description	Pcs	Remarks
	XYN4+F10FJ	SCREW	9	
	XYN4+F10FJK	SCREW	4	
	XYN4+F30FJK	SCREW (BC TOP6 SIDE6: AL)	6	
	XYN5+C15FJ	SCREW	8	

16.6. Mechanical Replacement Parts List (Stand)

Note:

All parts except parts mentioned [PAVCA] in the Remarks column are supplied by PAVC-CSG.

Parts mentioned [PAVCA] are supplied by PAVCA.

Ref. No.	Part No.	Part Name & Description	Pcs	Remarks
31	TBL2AX00161	STAND ASSY	1	PAVCA
	TBLG3074	RUBBER (STAND)	8	
	THEC088N	M6 SCREW	10	
32	TMME108	CABLE STRAP	2	
33	TPDA1275	CUSHION TOP LEFT (STAND)	1	
34	TPDA1276	CUSHION TOP RIGHT (STAND)	1	
35	TPDA1277	CUSHION BOTTOM LEFT (STAND)	1	
36	TPDA1278	CUSHION BOTTOM RIGHT (STAND)	1	
37	TPDA1279	CUSHION BOTTOM CENTER (STAND)	1	
38	TPDF1594	BOTTOM PAD (STAND)	1	
39	TPEB250	EPE SHEET (STAND)	1	
40	TPEB251	PE SHEET (STAND)	1	
41	TXFBL010ZDS	STAND POLE A ASSY	1	PAVCA
42	TXFBL020ZDS	STAND POLE B ASSY	1	PAVCA
	TXFBL02LPTU	SCREW ASSY (STAND)	1	PAVCA
43	TXFMM01BSTW	TIP-PREVENTION PARTS (STAND)	1	
44	TXFMM020ZCS	BAND ASSY (STAND)	1	PAVCA
	XSS6+20FNK	M6X20 SCREW	4	
	XTS4+12JFN	M4X12 SCREW	10	
45	XYN5+F14FN	M5X14 SCREW	4	
46	XYN5+F18FNK	M5X18 SCREW	4	
47	XYN5+F65FNK	M5X65 SCREW	4	
48	XZB6X30B03	POLY BAG (BAND)	1	
49	XZB9X16A04	POLY BAG (SCREW)	1	

16.7. Electrical Replacement Parts List

Note:

All parts except parts mentioned [PAVCA] in the Remarks column are supplied by PAVC-CSG.

Parts mentioned [PAVCA] are supplied by PAVCA.

Ref. No.	Part No.	Part Name & Description	Pcs	Remarks
A1	K1KA07AA0150	7P CONNECTOR	1	
A5	K1KB31AA0140	31P CONNECTOR	1	
A6	K1KA12AA0191	12P CONNECTOR	1	
A7	K1KA11AA0191	11P CONNECTOR	1	
A12	K1KA04AA0192	4P CONNECTOR	1	
A17	K1KA14A00248	14P CONNECTOR	1	
A18	K1KA11AA0153	11P CONNECTOR	1	
A20	K1KA20AA0009	20P CONNECTOR	1	
A52	K1KA13A00152	13P CONNECTOR	1	
C10	K1MN20BA0231	20P CONNECTOR	1	
C11	K1MN55BA0076	55P CONNECTOR	1	
C20	K1MN20BA0231	20P CONNECTOR	1	
C21	K1MN55BA0076	55P CONNECTOR	1	
C23	K1KA12BA0107	12P CONNECTOR	1	
C1102	F1J0J1060004	C 0.010UF, K, 16V	1	
C1103,04	F1G1A104A012	C 0.1UF, K, 10V	2	
C1105	F1H0J1050012	C 1UF, K, 16V	1	
C1106	F1H1H2700008	E 27UF, 50V	1	
C1107	F1H1H2200008	E 22UF, 50V	1	
C1108	F1G1A104A012	C 0.1UF, K, 10V	1	
C1109	ECJ1VB1A105K	C 0.01UF, Z, 50V	1	
C1111	ECJ1VB1A105K	C 0.01UF, Z, 50V	1	
C1112	F1G1A104A012	C 0.1UF, K, 10V	1	
C1114	F1G1A104A012	C 0.1UF, K, 10V	1	
C1117	F1G1A104A012	C 0.1UF, K, 10V	1	
C1122	ECJ0EB1C103K	C 0.010UF, K, 16V	1	
C1123	ECJ1VB1A105K	C 0.01UF, Z, 50V	1	
C1193,94	F1J0J1060004	C 0.010UF, K, 16V	2	
C1197	F1G1H101A565	C 100PF, K, 50V	1	
C2023	F1G1C104A081	C 0.10UF, K, 16V	1	
C2048-50	F1G1C104A081	C 0.10UF, K, 16V	3	
C2052,53	F1G1C104A081	C 0.10UF, K, 16V	2	
C2054	F1J1A106A043	C 0.010UF, K, 16V	1	
C2055,56	ECJ0ECLH120J	C 120PF, K, 50V	2	
C2057,58	F1G1C104A081	C 0.10UF, K, 16V	2	
C2059	F2G0J470A019	E 47UF 6.3V	1	
C2100	F1G1C104A081	C 0.10UF, K, 16V	1	
C2101	F1J1A106A043	C 0.010UF, K, 16V	1	
C2102	F1G1C104A081	C 0.10UF, K, 16V	1	
C2103	EEEB1C101UP	C 100PF, J, 16V	1	
C2105,06	F1G1C104A081	C 0.10UF, K, 16V	2	
C2107,08	F2G0J470A019	E 47UF 6.3V	2	
C2111	F1H0J2250008	C 2.2UF, K, 16V	1	
C2116	F1H1H471A792	E 470UF, 50V	1	
C2118	ECJ1VB1A105K	C 0.01UF, Z, 50V	1	
C2126	F1J1A106A043	C 0.010UF, K, 16V	1	
C2133	F2G0J470A019	E 47UF 6.3V	1	
C2134	ECJ0EB1C103K	C 0.010UF, K, 16V	1	
C2143	F1H1H181A792	E 180UF, 50V	1	
C2146	F1H1H181A792	E 180UF, 50V	1	
C2153	ECJ1VC1H330J	C 33PF, J, 50V	1	
C2170	ECJ1VC1H330J	C 33PF, J, 50V	1	
C2171	ECJ0EB1C103K	C 0.010UF, K, 16V	1	
C2173	ECJ2FF1C475Z	C 0.047UF, Z, 16V	1	
C2183	F1J1A106A043	C 0.010UF, K, 16V	1	

Ref. No.	Part No.	Part Name & Description	Pcs	Remarks
C2185	F1J1A106A043	C 0.010UF, K, 16V	1	
C2186	F1G1C104A081	C 0.10UF, K, 16V	1	
C2187	F1H0J2250008	C 2.2UF, K, 16V	1	
C2188	F1H1H471A792	E 470UF, 50V	1	
C2189	ECJ1VB1A105K	C 0.01UF, Z, 50V	1	
C2190,91	F1J1A106A043	C 0.010UF, K, 16V	2	
C2192	F2G0J470A019	E 47UF 6.3V	1	
C2213	ECJ1VB1H102K	C 1000UF, Z, 50V	1	
C2216	F1G1C104A081	C 0.10UF, K, 16V	1	
C2244	F1G1C104A081	C 0.10UF, K, 16V	1	
C2245	ECJ1VB1H102K	C 1000UF, Z, 50V	1	
C2246	F1J1A106A043	C 0.010UF, K, 16V	1	
C2251	F1J1A106A043	C 0.010UF, K, 16V	1	
C2263,64	ECJ2FB1A475K	C 4.7UF, K, 10V	2	
C2267,68	ECJ1XCLH101J	C 100PF, J, 50V	2	
C2274	F1G1C104A081	C 0.10UF, K, 16V	1	
C2301,02	F1G1C104A081	C 0.10UF, K, 16V	2	
C2303	F1J1E105A171	E 1 UF 25V	1	
C2305	F1J1E105A171	E 1 UF 25V	1	
C2307	F1J1E105A171	E 1 UF 25V	1	
C2309	F1J1E105A171	E 1 UF 25V	1	
C2313	ECJ1XB1H104K	C 10PF, J, 50V	1	
C2317	ECJ1VB1C333K	C 0.033UF, K, 16V	1	
C2319	ECJ1VB1C333K	C 0.033UF, K, 16V	1	
C2321	ECJ1VB1C333K	C 0.033UF, K, 16V	1	
C2323	ECJ1VB1C333K	C 0.033UF, K, 16V	1	
C2325	F1J1H474A757	C 0.47UF, 50V	1	
C2331	F1J1H474A757	C 0.47UF, 50V	1	
C2333	ECJ1XB1H104K	C 10PF, J, 50V	1	
C2335	ECJ1XB1H104K	C 10PF, J, 50V	1	
C2337	F1H1H223A219	E 0.022UF, 50V	1	
C2339	F1H1H223A219	E 0.022UF, 50V	1	
C2341	ECJ1XB1H104K	C 10PF, J, 50V	1	
C2343	ECJ1XB1H104K	C 10PF, J, 50V	1	
C2345	F1H1H223A219	E 0.022UF, 50V	1	
C2347	F1H1H223A219	E 0.022UF, 50V	1	
C2349	F1G1C104A081	C 0.10UF, K, 16V	1	
C2352	ECJ1VB1C105K	C 0.01UF, K, 16V	1	
C2353	ECJ1XB1H104K	C 10PF, J, 50V	1	
C2355	ECJ1XB1H104K	C 10PF, J, 50V	1	
C2357	ECJ1XB1H104K	C 10PF, J, 50V	1	
C2359	ECJ1XB1H104K	C 10PF, J, 50V	1	
C2361	EEEFGL1E471P	E 470UF, 25V	1	
C2365	F1G1C104A081	C 0.10UF, K, 16V	1	
C2367	F1G1C104A081	C 0.10UF, K, 16V	1	
C2369	F1G1C104A081	C 0.10UF, K, 16V	1	
C2371	F1G1C104A081	C 0.10UF, K, 16V	1	
C2373	F1G1C104A081	C 0.10UF, K, 16V	1	
C2375	F1H1H223A219	E 0.022UF, 50V	1	
C2377	F1H1H223A219	E 0.022UF, 50V	1	
C2379	F1H1H223A219	E 0.022UF, 50V	1	
C2381	F1H1H223A219	E 0.022UF, 50V	1	
C2383	ECJ1VB1H102K	C 1000UF, Z, 50V	1	
C2385	ECJ1VB1H102K	C 1000UF, Z, 50V	1	
C2387	ECJ1VB1H102K	C 1000UF, Z, 50V	1	
C2389	ECJ1VB1H102K	C 1000UF, Z, 50V	1	
C2512	ECJ3XB0J106M	C 10UF, M, 6.3V	1	
C2515	ECJ1VB1H103K	C 0.001UF, K, 50V	1	
C2521	ECJ1VB1H103K	C 0.001UF, K, 50V	1	
C3001	ECJ1VB1A105K	C 0.01UF, Z, 50V	1	
C3003	ECJ1VB1A105K	C 0.01UF, Z, 50V	1	
C3005	ECJ0EB1C103K	C 0.010UF, K, 16V	1	

Ref. No.	Part No.	Part Name & Description	Pcs	Remarks
C3006	F1G1C104A081	C 0.10UF, K, 16V	1	
C3007	F2G1A101A019	E 100UF, 10V	1	
C3020	ECJ1VB1A105K	C 0.01UF, Z, 50V	1	
C3025	F1G1C104A081	C 0.10UF, K, 16V	1	
C3032	EEEB1C220R	C 22PF, J, 16V	1	
C3033	EEEB1A221P	C 220PF, J, 10V	1	
C3045	F1G1C104A081	C 0.10UF, K, 16V	1	
C3069	F1G1C104A081	C 0.10UF, K, 16V	1	
C3071	ECJ1VB1A105K	C 0.01UF, Z, 50V	1	
C3073	ECJ1VB1A105K	C 0.01UF, Z, 50V	1	
C3075	ECJ1VB1A105K	C 0.01UF, Z, 50V	1	
C3077	ECJ1VB1A105K	C 0.01UF, Z, 50V	1	
C3079	ECJ1VB1A105K	C 0.01UF, Z, 50V	1	
C3081	ECJ1VB1A105K	C 0.01UF, Z, 50V	1	
C3086	EEEB1C100R	C 10PF, J, 16V	1	
C3087	ECJ1VB1A105K	C 0.01UF, Z, 50V	1	
C3095	ECJ1VB1A105K	C 0.01UF, Z, 50V	1	
C3097	ECJ1VB1A105K	C 0.01UF, Z, 50V	1	
C3099	ECJ0EB1C103K	C 0.010UF, K, 16V	1	
C3103,04	ECJ1VB1A105K	C 0.01UF, Z, 50V	2	
C3105	F1G1C104A081	C 0.10UF, K, 16V	1	
C3106-17	ECJ1VB1A105K	C 0.01UF, Z, 50V	12	
C3123,24	F1K1A106A021	C 0.010UF, K, 6.3V	2	PAVCA
C3132,33	F1H0J2250008	C 2.2UF, K, 16V	2	
C3138	EEEB1C220R	C 22PF, J, 16V	1	
C3145	F2G1A101A019	E 100UF, 10V	1	
C3146	F1G1C104A081	C 0.10UF, K, 16V	1	
C3153	ECJ1VB1A105K	C 0.01UF, Z, 50V	1	
C3157	F1G1C104A081	C 0.10UF, K, 16V	1	
C3502	F2A1C471A256	E 470UF, 16V	1	PAVCA
C3503	F1G1C104A081	C 0.10UF, K, 16V	1	
C3504	F2A1C471A256	E 470UF, 16V	1	PAVCA
C3505	F1G1C104A081	C 0.10UF, K, 16V	1	
C3513,14	F1G1C104A081	C 0.10UF, K, 16V	2	
C3515	F2A1H331A257	E 330UF, 50V	1	
C3516	ECJ1VB1E104K	C 0.10UF, K, 25V	1	
C3530	EEEFGL1E471P	E 470UF, 25V	1	
C3750	F1J1H102A721	E 1000UF, 50V	1	PAVCA
C4075	F1G1C104A081	C 0.10UF, K, 16V	1	
C4500-03	F1G1C104A081	C 0.10UF, K, 16V	4	
C4506,07	F1G1C104A081	C 0.10UF, K, 16V	2	
C4508,09	EEEB0J330R	C 33PF, J, 6.3V	2	
C4510,11	F1G1C104A081	C 0.10UF, K, 16V	2	
C4515	F1G1C104A081	C 0.10UF, K, 16V	1	
C4527	ECJ1VB1A105K	C 0.01UF, Z, 50V	1	
C4528	F1G1C104A081	C 0.10UF, K, 16V	1	
C4531	F1G1C104A081	C 0.10UF, K, 16V	1	
C4533	F1G1H680A565	E 68UF, 50V	1	
C4534,35	F1G1C104A081	C 0.10UF, K, 16V	2	
C4538	F2G0J470A019	E 47UF 6.3V	1	
C4539	F1J1A106A043	C 0.010UF, K, 16V	1	
C4541	F1H1H471A219	E 470UF, 50V	1	
C4543-45	F1G1C104A081	C 0.10UF, K, 16V	3	
C4546	F1H0J2250008	C 2.2UF, K, 16V	1	
C4547	F1G1C104A081	C 0.10UF, K, 16V	1	
C4548,49	ECJ1XB1H104K	C 10PF, J, 50V	2	
C4550,51	F1G1C104A081	C 0.10UF, K, 16V	2	
C4552	ECJ1XB1H104K	C 10PF, J, 50V	1	
C4553	F1G1H1020008	E 1000UF, 50V	1	
C4555,56	F1J1A106A043	C 0.010UF, K, 16V	2	
C4557	F1G1C104A081	C 0.10UF, K, 16V	1	
C4559,60	F1G1C104A081	C 0.10UF, K, 16V	2	
C4562	F1H1H822A219	E 8200UF, 50V	1	
C4563	ECJ1VB1C823K	C 0.082UF, K, 16V	1	
C4564,65	F1G1E1030005	C 0.01UF, Z, 25V	2	
C4566	ECJ1XB1C393K	C 0.039UF, K, 16V	1	
C4568	F1G1C104A081	C 0.10UF, K, 16V	1	
C4569	F1J1C684A097	C 0.68UF, Z, 16V	1	

Ref. No.	Part No.	Part Name & Description	Pcs	Remarks
C4570	F2G0J470A019	E 47UF 6.3V	1	
C4572,73	F1G1C104A081	C 0.10UF, K, 16V	2	
C4574	F1G1E1030005	C 0.01UF, Z, 25V	1	
C4575	ECJ1VB1A105K	C 0.01UF, Z, 50V	1	
C4576	EEEB1C220R	C 22PF, J, 16V	1	
C4577,78	F1G1C104A081	C 0.10UF, K, 16V	2	
C4580	F1G1E1030005	C 0.01UF, Z, 25V	1	
C4581	ECJ1VB1A105K	C 0.01UF, Z, 50V	1	
C4582,83	F1G1C104A081	C 0.10UF, K, 16V	2	
C4584,85	ECJ1VB1A105K	C 0.01UF, Z, 50V	2	
C4586	F1G1E1030005	C 0.01UF, Z, 25V	1	
C4587	F1G1C104A081	C 0.10UF, K, 16V	1	
C4588	ECJ1VB1C823K	C 0.082UF, K, 16V	1	
C4589	F1G1H150A565	E 15UF, 50V	1	
C4590	F1G1H180A565	E 18UF, 50V	1	
C4593	F1G1E1030005	C 0.01UF, Z, 25V	1	
C4595	F1G1E1030005	C 0.01UF, Z, 25V	1	
C4596	F1G1C104A081	C 0.10UF, K, 16V	1	
C4598	ECJ1VB1A105K	C 0.01UF, Z, 50V	1	
C4600,01	F1G1E1030005	C 0.01UF, Z, 25V	2	
C4602	F1G1C104A081	C 0.10UF, K, 16V	1	
C4604	F1H0J2250008	C 2.2UF, K, 16V	1	
C4605	F1G1C104A081	C 0.10UF, K, 16V	1	
C4607	F2G0J470A019	E 47UF 6.3V	1	
C4609	ECJ1VB1A105K	C 0.01UF, Z, 50V	1	
C4611	ECJ1VB1A105K	C 0.01UF, Z, 50V	1	
C4612	F1G1E1030005	C 0.01UF, Z, 25V	1	
C4613	ECJ1VB1A105K	C 0.01UF, Z, 50V	1	
C4614	F1G1C104A081	C 0.10UF, K, 16V	1	
C4615	F1G1E1030005	C 0.01UF, Z, 25V	1	
C4616,17	F1G1C104A081	C 0.10UF, K, 16V	2	
C4618	F1G1E1030005	C 0.01UF, Z, 25V	1	
C4619	F1G1C104A081	C 0.10UF, K, 16V	1	
C4620	ECJ1VB1A105K	C 0.01UF, Z, 50V	1	
C4623-25	F1G1C104A081	C 0.10UF, K, 16V	3	
C4630	F1G1C104A081	C 0.10UF, K, 16V	1	
C4701	F1G1H1020008	E 1000UF, 50V	1	
C4702	F1G1A104A012	C 0.1UF, K, 10V	1	
C4703	F1G1H1020008	E 1000UF, 50V	1	
C4704,05	F1G1A104A012	C 0.1UF, K, 10V	2	
C4711,12	F1G1A104A012	C 0.1UF, K, 10V	2	
C4713,14	F1G1H1020008	E 1000UF, 50V	2	
C4715	F1G1A104A012	C 0.1UF, K, 10V	1	
C4716-19	F1G1H1020008	E 1000UF, 50V	4	
C4721	F1G1A104A012	C 0.1UF, K, 10V	1	
C4722-24	F1G1H1020008	E 1000UF, 50V	3	
C4741	F1G1H1020008	E 1000UF, 50V	1	
C4742	F1G1A104A012	C 0.1UF, K, 10V	1	
C4743	F1G1H1020008	E 1000UF, 50V	1	
C4744,45	F1G1A104A012	C 0.1UF, K, 10V	2	
C4746	F1G1H1020008	E 1000UF, 50V	1	
C4751-55	F1G1A104A012	C 0.1UF, K, 10V	5	
C4761-63	ECJ1VB1H103K	C 0.001UF, K, 50V	3	
C4771	F1G1H1020008	E 1000UF, 50V	1	
C4772	F1G1A104A012	C 0.1UF, K, 10V	1	
C4773	F1G1H1020008	E 1000UF, 50V	1	
C4774,75	F1G1A104A012	C 0.1UF, K, 10V	2	
C4776	F1G1H1020008	E 1000UF, 50V	1	
C4777-80	F1G1A104A012	C 0.1UF, K, 10V	4	
C4795-98	F1G1H1020008	E 1000UF, 50V	4	
C5600	ECJ1VB1C105K	C 0.01UF, K, 16V	1	
C5601	F1G1C104A081	C 0.10UF, K, 16V	1	
C5602	ECGRLOG680ER	C 68PF, J, 4V	1	
C5603,04	F1G1E1030005	C 0.01UF, Z, 25V	2	
C5605	F1J1A475A039	C 4.7UF, K, 10V	1	
C5606	F1H1H471A219	E 470UF, 50V	1	
C5607	F1G1H221A459	E 220UF, 50V	1	
C5608	F1G1C104A081	C 0.10UF, K, 16V	1	
C5609,10	EEEB1C470P	C 47PF, J, 16V	2	
C5613	F1H0J1050012	C 1UF, K, 16V	1	
C5614	F1G1C104A081	C 0.10UF, K, 16V	1	

Ref. No.	Part No.	Part Name & Description	Pcs	Remarks
C5615	F1J1A106A043	C 0.010UF, K, 16V	1	
C5616	ECJOEB1A473K	C 0.047UF, K, 10V	1	
C5617	ECJ1VB1C105K	C 0.01UF, K, 16V	1	
C5618,19	F1J1A106A043	C 0.010UF, K, 16V	2	
C5620	ECJ1VB1E104K	C 0.10UF, K, 25V	1	
C5621	F1G1E1030005	C 0.01UF, Z, 25V	1	
C5622	F1J1A475A039	C 4.7UF, K, 10V	1	
C5623	ECJOEB1H471K	C 470PF, K, 50V	1	
C5624	F1G1H221A459	E 220UF, 50V	1	
C5625	F1G1E1030005	C 0.01UF, Z, 25V	1	
C5626,27	F1G1C104A081	C 0.10UF, K, 16V	2	
C5628,29	ECGRL0G680ER	C 68PF, J, 4V	2	
C5630,31	EEHHC1C470P	C 47PF, J, 16V	2	
C5632	ECJ1VB1C105K	C 0.01UF, K, 16V	1	
C5636-41	F1G1C104A081	C 0.10UF, K, 16V	6	
C5643-45	F1G1C104A081	C 0.10UF, K, 16V	3	
C5646	F1H0J1050012	C 1UF, K, 16V	1	
C5647	EEHHC0G101R	C 100PF, J, 4V	1	
C5648	ECJOEB1C103K	C 0.010UF, K, 16V	1	
C5649,50	F1H0J1050012	C 1UF, K, 16V	2	
C5652	ECJ1XC1H102J	C 1000PF, J, 50V	1	
C5654	ECJ1VB1H472K	C 4700PF, K, 50V	1	
C5655	EEHHC1V220P	E 22UF, 35V	1	
C5656	ECJ1VB1H103K	C 0.001UF, K, 50V	1	
C5657	F1H1A225A051	E 22UF, 50V	1	
C5658	F1G1E1030005	C 0.01UF, Z, 25V	1	
C5660	ECJ3XB1C106M	C 1.0UF, K, 16V	1	
C5661,62	F1J1H474A757	C 0.47UF, 50V	2	
C5765	ECJOEB1A473K	C 0.047UF, K, 10V	1	
C5766,67	ECJOEB1C103K	C 0.010UF, K, 16V	2	
C6001	F1L2J332A022	C 3300UF, K,6.3V	1	
C6002	F1L2J222A022	C 2200UF, K,6.3V	1	
C6011-15	F2A2T201A002	E 200UF,	5	
C6021,22	F1L2J272A022	C 2700UF, K,6.3V	2	
C6031	F0C2E225A218	E 0.022UF, 250V	1	
C6037	F1L1E4750004	C 4.7UF, 25V	1	
C6091	F1L2J1020001	C 1000UF, K,6.3V	1	
C6111,12	F2A2D221A022	E 220UF, 200V	2	
C6132	F1L1E4750004	C 4.7UF, 25V	1	
C6134,35	F1L1E4750004	C 4.7UF, 25V	2	
C6151	ECJ3YB1E105K	C 1UF, K, 25V	1	
C6152-54	F1L1E4750004	C 4.7UF, 25V	3	
C6193-95	F1L1E4750004	C 4.7UF, 25V	3	
C6197	F1L1E4750004	C 4.7UF, 25V	1	
C6201,02	F0C2E405A176	E 0.040UF, 250V	2	
C6209	F1L1E4750004	C 4.7UF, 25V	1	
C6211,12	F1L1E4750004	C 4.7UF, 25V	2	
C6213	F2A1E102A220	E 1000UF, 25V	1	
C6220	F1L2J1020001	C 1000UF, K,6.3V	1	
C6221	ECJ2XB1H104K	C 0.1UF, K, 50V	1	
C6241	F2A1A101A439	E 100UF, 10V	1	
C6242	F1H1C105A072	C 1UF, K, 16V	1	
C6243	ECJ2VB1H103K	C 0.01UF, K, 50V	1	
C6251	F1H1C105A072	C 1UF, K, 16V	1	
C6252	ECJ3YB1E105K	C 1UF, K, 25V	1	
C6261,62	F2A2A221A073	E 220UF, 100V	2	
C6272,73	F2A1E221A487	E 220UF, 25V	2	
C6276	F1L1E4750004	C 4.7UF, 25V	1	
C6286-89	ECJ2XB1H104K	C 0.1UF, K, 50V	4	
C6401	F1L2J332A022	C 3300UF, K,6.3V	1	
C6402	F1L2J222A022	C 2200UF, K,6.3V	1	
C6411-15	F2A2T201A002	E 200UF,	5	
C6421,22	F1L2J272A022	C 2700UF, K,6.3V	2	
C6431	F0C2E405A176	E 0.040UF, 250V	1	
C6480	ECJ2XB1H104K	C 0.1UF, K, 50V	1	
C6502	F1L1E4750004	C 4.7UF, 25V	1	
C6504,05	F1L1E4750004	C 4.7UF, 25V	2	

Ref. No.	Part No.	Part Name & Description	Pcs	Remarks
C6521	ECJ3YB1E105K	C 1UF, K, 25V	1	
C6522	F1L1E4750004	C 4.7UF, 25V	1	
C6524,25	F1L1E4750004	C 4.7UF, 25V	2	
C6527	F1L1E4750004	C 4.7UF, 25V	1	
C6531,32	F0C2E405A176	E 0.040UF, 250V	2	
C6561	F2A1A101A439	E 100UF, 10V	1	
C6562	F1H1C105A072	C 1UF, K, 16V	1	
C6563	F2A1A101A439	E 100UF, 10V	1	
C6564	F1H1C105A072	C 1UF, K, 16V	1	
C6565,66	ECJ2VB1H103K	C 0.01UF, K, 50V	2	
C6581	ECJ3YB1E105K	C 1UF, K, 25V	1	
C6582	F1H1C105A072	C 1UF, K, 16V	1	
C6592	F2A1E221A487	E 220UF, 25V	1	
C6593	ECJ2XC1H102J	C 1000PF, J, 50V	1	
C6603,04	F1K2J102A014	C 1000UF, K,6.3V	2	
C6605,06	F1L2J472A022	C 4700UF, K,6.3V	2	
C6620,21	F1E2J222A002	C 2200PF, 600V	2	
C6641	ECQE2224KF	P 2.2UF, K,250V	1	
C6661,62	F1K2J102A014	C 1000UF, K,6.3V	2	
C6671	F1L1E4750004	C 4.7UF, 25V	1	
C6691	ECA2CM101	E 100UF, 160V	1	
C6694	ECJ3YB1E105K	C 1UF, K, 25V	1	
C6695	ECJ2XC1H102J	C 1000PF, J, 50V	1	
C6702-06	ECJ2XB1H104K	C 0.1UF, K, 50V	5	
C6708	ECJ2XB1H104K	C 0.1UF, K, 50V	1	
C6721	ECA1HM101	E 100UF, 50V	1	
C6722	ECJ2XC1H101J	C 100PF, J, 50V	1	
C6723-25	F1L1E4750004	C 4.7UF, 25V	3	
C6726,27	F1H1C105A072	C 1UF, K, 16V	2	
C6740	ECJ2XC1H101J	C 100PF, J, 50V	1	
C6752	ECJ3YB1E105K	C 1UF, K, 25V	1	
C6753	F1L1E4750004	C 4.7UF, 25V	1	
C6755,56	F1L1E4750004	C 4.7UF, 25V	2	
C6771	F1H1C105A072	C 1UF, K, 16V	1	
C6772,73	F1L1E4750004	C 4.7UF, 25V	2	
C6775	F1L1E4750004	C 4.7UF, 25V	1	
C6776,77	ECJ2XB1H104K	C 0.1UF, K, 50V	2	
C6791	F2A1E221A487	E 220UF, 25V	1	
C6795,96	F2A1E221A487	E 220UF, 25V	2	
C6801	F2A2E470A022	E 47UF, 250V	1	
C6803	ECKD3D221KBP	C 220PF, K, 2KV	1	
C6804	F2A2E100A022	E 10UF, 250V	1	
C6805	ECJ2XC1H331J	C 330PF, J, 50V	1	
C6806	ECA2CM101	E 100UF, 160V	1	
C6811	ECJ3YB1E105K	C 1UF, K, 25V	1	
C6812	F1L1E4750004	C 4.7UF, 25V	1	
C6813	ECA2CM101	E 100UF, 160V	1	
C6814	F2A1E221A487	E 220UF, 25V	1	
C6815	ECJ2XC1H102J	C 1000PF, J, 50V	1	
C6822	F2A2G470A018	E 470UF, 400V	1	
C6823	ECJ2VB1H103K	C 0.01UF, K, 50V	1	
C6832	ECJ2XB1H392K	C 3900PF, K, 50V	1	
C6841	F2A2E470A022	E 47UF, 250V	1	
C6842	ECA2CM101	E 100UF, 160V	1	
C6845	ECJ2VB1H103K	C 0.01UF, K, 50V	1	
C6861	F1H1C105A072	C 1UF, K, 16V	1	
C6862	ECJ3YB1E105K	C 1UF, K, 25V	1	
C6863	ECJ2VB1H103K	C 0.01UF, K, 50V	1	
C6871	F1H1C105A072	C 1UF, K, 16V	1	
C6872	ECJ3YB1E105K	C 1UF, K, 25V	1	
C6873	ECJ2VB1H103K	C 0.01UF, K, 50V	1	
C6901	ECJ2XB1H102K	C 1000PF, K, 50V	1	
C6902	TCUY1C105ZFN	C 1UF, 16V	1	
C6904	TCUY1C105ZFN	C 1UF, 16V	1	
C6906	TCUY1C105ZFN	C 1UF, 16V	1	
C6908	TCUY1C105ZFN	C 1UF, 16V	1	
C6910	TCUY1C105ZFN	C 1UF, 16V	1	
C6912	TCUY1C105ZFN	C 1UF, 16V	1	
C6921	F1L2E1040002	E 1000UF, 25V	1	
C6923,24	F1L2E1040002	E 1000UF, 25V	2	
C6926,27	F1L2E1040002	E 1000UF, 25V	2	
C6929	F1L2E1040002	E 1000UF, 25V	1	
C6931	ECJ2XB1H102K	C 1000PF, K, 50V	1	

Ref. No.	Part No.	Part Name & Description	Pcs	Remarks
C6936	ECJ2XB1H681K	C 680PF, K, 50V	1	
C6937	ECJ2VB1H221K	C 220PF, K, 50V	1	
C6951	ECJ2XB1H102K	C 1000PF, K, 50V	1	
C6952	TCUY1C105ZFN	C 1UF, 16V	1	
C6955	TCUY1C105ZFN	C 1UF, 16V	1	
C6957,58	TCUY1C105ZFN	C 1UF, 16V	2	
C6961	TCUY1C105ZFN	C 1UF, 16V	1	
C6963	TCUY1C105ZFN	C 1UF, 16V	1	
C6971	F1L2E1040002	E 1000UF, 25V	1	
C6973,74	F1L2E1040002	E 1000UF, 25V	2	
C6976,77	F1L2E1040002	E 1000UF, 25V	2	
C6979	F1L2E1040002	E 1000UF, 25V	1	
C6981	ECJ2XB1H102K	C 1000PF, K, 50V	1	
C6986	ECJ2XB1H681K	C 680PF, K, 50V	1	
C6987	ECJ2VB1H221K	C 220PF, K, 50V	1	
C7110	F1H1C105A072	C 1UF, K, 16V	1	
C7114	F1H1C105A072	C 1UF, K, 16V	1	
C7116	F1H1C105A072	C 1UF, K, 16V	1	
C7117	ECJ1XC1H101J	C 100PF, J, 50V	1	
C7118	FlK2A474A006	C 0.47UF, 6.3V	1	
C7121	F1H1C105A072	C 1UF, K, 16V	1	
C7123	F1H1C105A072	C 1UF, K, 16V	1	
C7124	ECJ1XC1H101J	C 100PF, J, 50V	1	
C7125	FlK2A474A006	C 0.47UF, 6.3V	1	
C7126	F1H1C105A072	C 1UF, K, 16V	1	
C7127	ECJ1XC1H101J	C 100PF, J, 50V	1	
C7128	FlK2A474A006	C 0.47UF, 6.3V	1	
C7130	ECJ1XB1C104K	C 0.1UF, Z, 16V	1	
C7140	F1H1C105A072	C 1UF, K, 16V	1	
C7141	ECJ1XC1H101J	C 100PF, J, 50V	1	
C7142	FlK2A474A006	C 0.47UF, 6.3V	1	
C7145	F1H1C105A072	C 1UF, K, 16V	1	
C7148	ECJ1XB1C104K	C 0.1UF, Z, 16V	1	
C7150-53	FlK2A474A006	C 0.47UF, 6.3V	4	
C7203	F1H1C105A072	C 1UF, K, 16V	1	
C7207	F1H1C105A072	C 1UF, K, 16V	1	
C7209	F1H1C105A072	C 1UF, K, 16V	1	
C7210	ECJ1XC1H101J	C 100PF, J, 50V	1	
C7211	FlK2A474A006	C 0.47UF, 6.3V	1	
C7214	F1H1C105A072	C 1UF, K, 16V	1	
C7216	F1H1C105A072	C 1UF, K, 16V	1	
C7217	ECJ1XC1H101J	C 100PF, J, 50V	1	
C7218	FlK2A474A006	C 0.47UF, 6.3V	1	
C7219	F1H1C105A072	C 1UF, K, 16V	1	
C7220	ECJ1XC1H101J	C 100PF, J, 50V	1	
C7221	FlK2A474A006	C 0.47UF, 6.3V	1	
C7229	ECJ1XB1C104K	C 0.1UF, Z, 16V	1	
C7230-33	FlK2A474A006	C 0.47UF, 6.3V	4	
C7235	F1H1C105A072	C 1UF, K, 16V	1	
C7236	ECJ1XC1H101J	C 100PF, J, 50V	1	
C7237	FlK2A474A006	C 0.47UF, 6.3V	1	
C7240	F1H1C105A072	C 1UF, K, 16V	1	
C7242	FlK2A474A006	C 0.47UF, 6.3V	1	
C7244,45	ECJ1XB1C104K	C 0.1UF, Z, 16V	2	
C7701	ECJ1VC1H330J	C 33PF, J, 50V	1	
C7702	EEEB0G101R	C 100PF, J, 4V	1	
C7703	ECJ1VC1H330J	C 33PF, J, 50V	1	
C7705	ECJ1VF1C104Z	C 0.1UF, Z, 16V	1	
C7708,09	ECJ1VF1C104Z	C 0.1UF, Z, 16V	2	
C7726,27	ECJ1VC1H330J	C 33PF, J, 50V	2	
C7729,30	F1J0J106A020	C 0.010UF, K, 16V	2	
C8001	F1G1A104A012	C 0.1UF, K, 10V	1	
C8002-05	ECJ1VB0J105K	C 1UF, K, 16V	4	
C8006-08	F1G1A104A012	C 0.1UF, K, 10V	3	
C8009,10	F1J1A106A043	C 0.010UF, K, 16V	2	
C8011-14	F1G1A104A012	C 0.1UF, K, 10V	4	
C8015,16	ECJ1VB0J105K	C 1UF, K, 16V	2	
C8017	F1J1A106A043	C 0.010UF, K, 16V	1	
C8018-21	F1G1A104A012	C 0.1UF, K, 10V	4	
C8022	ECJ1VB0J105K	C 1UF, K, 16V	1	

Ref. No.	Part No.	Part Name & Description	Pcs	Remarks
C8023,24	F1J1A106A043	C 0.010UF, K, 16V	2	
C8025-29	F1G1A104A012	C 0.1UF, K, 10V	5	
C8030,31	ECJ1VB0J105K	C 1UF, K, 16V	2	
C8032	F1J1A106A043	C 0.010UF, K, 16V	1	
C8033,34	F1G1A104A012	C 0.1UF, K, 10V	2	
C8035,36	F1J1A106A043	C 0.010UF, K, 16V	2	
C8037-41	F1G1A104A012	C 0.1UF, K, 10V	5	
C8042	ECGRL0G680ER	C 68PF, J, 4V	1	
C8043-51	F1G1A104A012	C 0.1UF, K, 10V	9	
C8052	ECJ1VB0J105K	C 1UF, K, 16V	1	
C8053	ECJ0EB1C103K	C 0.010UF, K, 16V	1	
C8056,57	F1G1A104A012	C 0.1UF, K, 10V	2	
C8058	F1J1A106A043	C 0.010UF, K, 16V	1	
C8067	ECJ0EB1C103K	C 0.010UF, K, 16V	1	
C8068	F1G1A104A012	C 0.1UF, K, 10V	1	
C8070-74	F1G1A104A012	C 0.1UF, K, 10V	5	
C8075	F1J0G2260001	C 0.001UF, 6.3V	1	PAVCA
C8076-80	F1G1C104A081	C 0.10UF, K, 16V	5	
C8300	F1G1A104A012	C 0.1UF, K, 10V	1	
C8301	F1G1H1020008	E 1000UF, 50V	1	
C8302	F1G1A104A012	C 0.1UF, K, 10V	1	
C8303	F1G1H103A573	E 0.01UF, 50V	1	PAVCA
C8304,05	F1G1H820A565	E 82UF, 50V	2	
C8306	F1G1H100A565	C 100PF, K, 50V	1	
C8307	F1G1A104A012	C 0.1UF, K, 10V	1	
C8309,10	EEEB0J221UP	C 220PF, J, 6.3V	2	
C8311	F2G1V220A020	E 22UF, 35V	1	
C8312	EEEB0J221UP	C 220PF, J, 6.3V	1	
C8313	F1G1H1020008	E 1000UF, 50V	1	
C8320,21	F1G1H1020008	E 1000UF, 50V	2	
C8324	F1G1H270A565	E 27UF, 50V	1	PAVCA
C8327,28	F1G1H120A565	E 12UF, 50V	2	
C8329	F1G1H270A565	E 27UF, 50V	1	PAVCA
C8330,31	F1G1H101A565	C 100PF, K, 50V	2	
C8333,34	F1G1H470A565	E 47UF, 50V	2	
C8335,36	ECJ0EB1C103K	C 0.010UF, K, 16V	2	
C8337,38	F1G1H150A565	E 15UF, 50V	2	
C8339-42	F1G1A104A012	C 0.1UF, K, 10V	4	
C8344-49	F1G1A104A012	C 0.1UF, K, 10V	6	
C8350	F1J1A106A043	C 0.010UF, K, 16V	1	
C8351-57	F1G1A104A012	C 0.1UF, K, 10V	7	
C8359-61	F1G1A104A012	C 0.1UF, K, 10V	3	
C8363-65	F1G1A104A012	C 0.1UF, K, 10V	3	
C8367-71	F1G1A104A012	C 0.1UF, K, 10V	5	
C8372	ECJ1VB0J105K	C 1UF, K, 16V	1	
C8374-76	F1J1A106A043	C 0.010UF, K, 16V	3	
C8377-85	F1G1A104A012	C 0.1UF, K, 10V	9	
C8386	F1J1A106A043	C 0.010UF, K, 16V	1	
C8387	F1G1H1020008	E 1000UF, 50V	1	
C8388	ECJ1XB1H104K	C 10PF, J, 50V	1	
C8394	F1G1A104A012	C 0.1UF, K, 10V	1	
C8396	F1J1A106A043	C 0.010UF, K, 16V	1	
C8397	F1G1A104A012	C 0.1UF, K, 10V	1	
C8500,01	F1G1A104A012	C 0.1UF, K, 10V	2	
C8506	F1G1A104A012	C 0.1UF, K, 10V	1	
C8513	ECJ0EB1C103K	C 0.010UF, K, 16V	1	
C8517	F1G1A104A012	C 0.1UF, K, 10V	1	
C8519	ECJ0EB1C103K	C 0.010UF, K, 16V	1	
C9028,29	F1J1A106A043	C 0.010UF, K, 16V	2	
C9033,34	F1G1C104A083	C 0.10UF, K, 16V	2	
C9035,36	F1J1A106A043	C 0.010UF, K, 16V	2	

Ref. No.	Part No.	Part Name & Description	Pcs	Remarks
C9037	F1G1E1030005	C 0.01UF, Z, 25V	1	
C9039	F1J1A106A043	C 0.010UF, K, 16V	1	
C9040	F1G1C104A083	C 0.10UF, K, 16V	1	
C9044	ECJ2YB0J475K	C 3.3UF, Z, 4.7V	1	
C9045-53	F1G1C104A083	C 0.10UF, K, 16V	9	
C9055-57	F1G1C104A083	C 0.10UF, K, 16V	3	
C9058	F1J1A106A043	C 0.010UF, K, 16V	1	
C9061	F1G1C104A077	C 0.10UF, K, 16V	1	
C9062	ECJ2YB0J475K	C 3.3UF, Z, 4.7V	1	
C9063	F1G1C104A083	C 0.10UF, K, 16V	1	
C9468	F1G1E1030005	C 0.01UF, Z, 25V	1	
C9469	F1G1C104A083	C 0.10UF, K, 16V	1	
C9500	F1G1C104A077	C 0.10UF, K, 16V	1	
C9505	F1G1C104A077	C 0.10UF, K, 16V	1	
C9508	F1G1C104A077	C 0.10UF, K, 16V	1	
C9509,10	F1G1H120A565	E 12UF, 50V	2	
C9511	F1J1A106A043	C 0.010UF, K, 16V	1	
C9516-25	F1G1C104A077	C 0.10UF, K, 16V	10	
C9526	F1J1A106A043	C 0.010UF, K, 16V	1	
C9527,28	F1G1C104A077	C 0.10UF, K, 16V	2	
C9531	F1J1A106A043	C 0.010UF, K, 16V	1	
C9559-64	F1G1C104A077	C 0.10UF, K, 16V	6	
C9823	ECJ3YB1E106M	C 10 UF, K, 25V	1	
C9825	F1G1H101A565	C 100PF, K, 50V	1	
C9832	F1J1A106A043	C 0.010UF, K, 16V	1	
C9837	F1J1A106A043	C 0.010UF, K, 16V	1	
C9838	F1G1C104A083	C 0.10UF, K, 16V	1	
C9840	F1G1E1030005	C 0.01UF, Z, 25V	1	
C9841-43	F1G1C104A083	C 0.10UF, K, 16V	3	
C9844	F1G1E1030005	C 0.01UF, Z, 25V	1	
C9845,46	F1G1C104A083	C 0.10UF, K, 16V	2	
C9858	ECJ3YB1E106M	C 10 UF, K, 25V	1	
C9859	F1G1E1030005	C 0.01UF, Z, 25V	1	
C9860	ECJ2YB0J475K	C 3.3UF, Z, 4.7V	1	
C9861,62	ECJ1VB1E104K	C 0.10UF, K, 25V	2	
C9863	ECJ2YB0J475K	C 3.3UF, Z, 4.7V	1	
C9864	ECJ1VB1E104K	C 0.10UF, K, 25V	1	
C9865,66	ECGRL0G680ER	C 68PF, J, 4V	2	
C9867-72	ECJ3YB1E106M	C 10 UF, K, 25V	6	
C9873	ECGRL0G680ER	C 68PF, J, 4V	1	
C9874	F1G1H680A565	E 68UF, 50V	1	
C9877	F1G1H680A565	E 68UF, 50V	1	
C9878	F1G1E1030005	C 0.01UF, Z, 25V	1	
C9879,80	F1G1E822A086	C 8200UF, Z, 25V	2	
C9881	F1G1E1030005	C 0.01UF, Z, 25V	1	
C9882	F1G1E822A086	C 8200UF, Z, 25V	1	
C9883	F1G1H101A565	C 100PF, K, 50V	1	
C9884,85	F1G1H1020008	E 1000UF, 50V	2	
C9886,87	ECJ1VB1E104K	C 0.10UF, K, 25V	2	
C9888	F1G1H361A565	E 360UF, 50V	1	
C9900-25	F1G1C104A077	C 0.10UF, K, 16V	26	
C9927-51	F1G1C104A077	C 0.10UF, K, 16V	25	
C9955-59	F1G1C104A077	C 0.10UF, K, 16V	5	
C9960-64	F1J1A106A043	C 0.010UF, K, 16V	5	
C9966,67	F1G1C104A077	C 0.10UF, K, 16V	2	
CB1-B8	K1MN68BA0052	68P CONNECTOR	8	
D5	K1KB31BA0064	31P CONNECTOR	1	
D6	K1KA21A00011	21P CONNECTOR	1	
D9	K1KA07A00292	7P CONNECTOR	1	
D20	K1KY30BA0090	30P CONNECTOR	1	
D25	K1KA13B00069	13P CONNECTOR	1	
D31,32	K1MN55BA0257	55P CONNECTOR	2	
D1107	MA704A	DIODE	1	
D1111-13	MA2J11100L	DIODE	3	
D1120	MA2J72800L	DIODE	1	

Ref. No.	Part No.	Part Name & Description	Pcs	Remarks
D2059	MA2J11100L	DIODE	1	
D2062-64	MA2J11100L	DIODE	3	
D2066	MA2J11100L	DIODE	1	
D2301,02	MA2J11100L	DIODE	2	
D2303	MA3056H	ZENER DIODE	1	
D2304	MA2J11100L	DIODE	1	
D2512	MA8043LTX	ZENER DIODE	1	
D2520A	LN1271RAL-TR	LED	1	
D2524	MAZ80560ML	ZENER DIODE	1	
D3005	K7AAAY000003	PHOTO LINK	1	
D3047-52	MA8140M	ZENER DIODE	6	
D3060-80	MA8140M	ZENER DIODE	21	
D3500	B0BC01000035	ZENER DIODE	1	PAVCA
D3502	MA2J11100L	DIODE	1	
D3503,04	MA3X152A0L	DIODE	2	
D3505	MA8120M	ZENER DIODE	1	
D3506	MAZ80680LL	ZENER DIODE	1	
D3507	MA2J11100L	DIODE	1	
D3514	B0BC6R600005	ZENER DIODE	1	
D3515	B0BC01100001	ZENER DIODE	1	
D4500-12	EZAEG2A50AX	DIODE	13	
D4513	MA3056MTX	ZENER DIODE	1	
D4514	EZAEG2A50AX	DIODE	1	
D4515	MA3056MTX	ZENER DIODE	1	
D4516-23	EZAEG2A50AX	DIODE	8	
D4524-27	B0HCMM000014	DIODE	4	
D4528	EZAEG2A50AX	DIODE	1	
D4532	B0HCMM000014	DIODE	1	
D5024,25	MA2J11100L	DIODE	2	
D5601,02	MA22D3900L	DIODE	2	
D5603,04	B0JCDD000002	DIODE	2	
D5605	MA22D3900L	DIODE	1	
D5606	B0JCDD000002	DIODE	1	
D5607,08	MA8024LTX	ZENER DIODE	2	
D5609	B0HCMM000014	DIODE	1	
D5610	MA3X78900L	ZENER DIODE	1	
D5611	B0BC03900015	ZENER DIODE	1	
D5612	MA8056LTX	ZENER DIODE	1	
D6001	B0HBSN000008	DIODE	1	
D6021	MA3DF30000LZ	ZENER DIODE	1	
D6024,25	B0ECHP000003	DIODE	2	
D6032	MA2J11100L	DIODE	1	
D6061,62	MA3DF30000LZ	ZENER DIODE	2	
D6071,72	B0HBSN000008	DIODE	2	
D6082	MA3DF30000LZ	ZENER DIODE	1	
D6091	B0HBSN000008	DIODE	1	
D6092	B0ECHP000003	DIODE	1	
D6101	B0JCME000037	DIODE	1	
D6104	B0JCME000037	DIODE	1	
D6131,32	B0ECHP000003	DIODE	2	
D6151-53	B0ECHP000003	DIODE	3	
D6191	B0ECHP000003	DIODE	1	
D6193	B0ECHP000003	DIODE	1	
D6211	B0JCME000037	DIODE	1	
D6221	B0ECHP000003	DIODE	1	
D6222,23	MA2J11100L	DIODE	2	
D6253	LNJ301MPUJA	LED	1	
D6254	MAZ80510LL	ZENER DIODE	1	
D6255	MA2J11100L	DIODE	1	
D6273	MA2J11100L	DIODE	1	
D6275	MA8068M	ZENER DIODE	1	
D6276	MA3X152A0L	DIODE	1	
D6278	MA3X152A0L	DIODE	1	
D6280	MAZ80510LL	ZENER DIODE	1	
D6281	B0JCME000037	DIODE	1	
D6401,02	B0HBSN000008	DIODE	2	
D6422	MA3DF40000LZ	ZENER DIODE	1	
D6441	B0ECHP000003	DIODE	1	
D6451	B0ECHP000003	DIODE	1	
D6461,62	MA3DF30000LZ	ZENER DIODE	2	
D6466	MA2J11100L	DIODE	1	
D6471	B0HBSN000008	DIODE	1	
D6472	B0ECHP000003	DIODE	1	

Ref. No.	Part No.	Part Name & Description	Pcs	Remarks
D6477	MA2J11100L	DIODE	1	
D6478	B0HCKS000002	DIODE	1	
D6480	MA2J11100L	DIODE	1	
D6481	MA3DF30000LZ	ZENER DIODE	1	
D6491	MA3DF40000LZ	ZENER DIODE	1	
D6497	B0ECHP000003	DIODE	1	
D6501	B0ECHP000003	DIODE	1	
D6503	B0ECHP000003	DIODE	1	
D6521-23	B0ECHP000003	DIODE	3	
D6583	LNJ301MPUJA	LED	1	
D6584	MAZ80510LL	ZENER DIODE	1	
D6585	MA2J11100L	DIODE	1	
D6604	MA2J11100L	DIODE	1	
D6605	MAZ80510LL	ZENER DIODE	1	
D6606	B0HCMM000014	DIODE	1	
D6607	MA2J11100L	DIODE	1	
D6619	B0HCKS000002	DIODE	1	
D6621	B0HDSM000005	DIODE	1	
D6623,24	B0HDSM000005	DIODE	2	
D6631,32	MA8240MTX	ZENER DIODE	2	
D6641,42	B0HCKS000002	DIODE	2	
D6643	B0JCME000037	DIODE	1	
D6644	B0HCKS000002	DIODE	1	
D6661	MA2J11100L	DIODE	1	
D6662-64	MA8330M	ZENER DIODE	3	
D6665	MAZ80510LL	ZENER DIODE	1	
D6666,67	MA2J11100L	DIODE	2	
D6670,71	B0JCME000037	DIODE	2	
D6690	MA2J11100L	DIODE	1	
D6691,92	MA8200M	ZENER DIODE	2	
D6701	MA8056H	ZENER DIODE	1	
D6702,03	MA2J11100L	DIODE	2	
D6721	B0HCKS000002	DIODE	1	
D6722	MA2J11100L	DIODE	1	
D6725	B0ECHP000003	DIODE	1	
D6726-33	MA8056H	ZENER DIODE	8	
D6761	B0JCME000037	DIODE	1	
D6763	B0ECHP000003	DIODE	1	
D6764	B0HCKS000002	DIODE	1	
D6765,66	B0ECHP000003	DIODE	2	
D6773	B0HCKS000002	DIODE	1	
D6791	MA8200M	ZENER DIODE	1	
D6802	B0BC01000044	ZENER DIODE	1	
D6804	B0ECHP000003	DIODE	1	
D6805	MA8240MTX	ZENER DIODE	1	
D6806	B0HCKS000002	DIODE	1	
D6809	B0HCMM000014	DIODE	1	
D6820-23	MA2J11100L	DIODE	4	
D6824,25	MA8330M	ZENER DIODE	2	
D6826	MA2J11100L	DIODE	1	
D6827,28	MA8330M	ZENER DIODE	2	
D6830	MA8056H	ZENER DIODE	1	
D6836	MAZ81500ML	ZENER DIODE	1	
D6837	MA2J11100L	DIODE	1	
D6838	B0BC027A0234	ZENER DIODE	1	
D6839	B0ECHP000003	DIODE	1	
D6841	B0HCKS000002	DIODE	1	
D6842,43	MA2J11100L	DIODE	2	
D6859	B0ECHP000003	DIODE	1	
D6860	B0HCKS000002	DIODE	1	
D6861	MAZ80510LL	ZENER DIODE	1	
D6862	MA2J11100L	DIODE	1	
D6871	MAZ80510LL	ZENER DIODE	1	
D6872	MA2J11100L	DIODE	1	
D6901,02	MA8056H	ZENER DIODE	2	
D6903-05	B0HCMM000013	DIODE	3	
D6951,52	MA8056H	ZENER DIODE	2	
D6953-55	B0HCMM000013	DIODE	3	
D7103-10	B0HCMM000014	DIODE	8	
D7201-08	B0HCMM000014	DIODE	8	
D9017-19	MA3033	ZENER DIODE	3	
D9020	B0JCCE000008	DIODE	1	
D9110	B0JCGD000002	DIODE	1	

Ref. No.	Part No.	Part Name & Description	Pcs	Remarks
D9802	B0JCCE000008	DIODE	1	
D9804	B0JCCE000008	DIODE	1	
D9807,08	B0JCCE000008	DIODE	2	
D9811	B0JCCE000008	DIODE	1	
D9812	MA22D3900L	DIODE	1	
D9813-15	B0JCGD000002	DIODE	3	
D9816,17	MA22D3900L	DIODE	2	
F401.402	K5D802BNA005	TIME LAG FUSE HIGH	2	△
FL4000	JOHAAB000036	LC FILTER	1	
FL4003,04	JOHAAB000036	LC FILTER	2	
FL4800-02	JOJAD0000028	CHIP INDUCTOR	3	
FL7101	JOHABH000013	LC FILTER	1	
FL7201	JOHABH000013	LC FILTER	1	
FL8308	JOMAB0000164	LC FILTER	1	
FL8500,01	JOHAAA000013	LC FILTER	2	
FL9300,01	FLJ1E104A148	C 0.10UF, Z, 25V	2	
FL9504	FLJ1E104A148	C 0.10UF, Z, 25V	1	
FL9803	FLJ1E104A148	C 0.10UF, Z, 25V	1	
FL9805,06	FLJ1E104A148	C 0.10UF, Z, 25V	2	
FL9900-04	FLJ1E104A148	C 0.10UF, Z, 25V	5	
GS52	K1KA14B00129	14P CONNECTOR	1	PAVCA
IC1100	MNZSFD7GP42	IC	1	PAVCA
IC1101	TVRP388S	IC	1	PAVCA
IC1108	C0EBF0000354	IC	1	
IC2008	C0CBCBE00001	IC	1	
IC2011	C0ABBB000230	IC	1	
IC2106	C1AB00002747	IC	1	
IC2107	C0DBFFD00003	IC	1	
IC2301	C1AB00002730	IC	1	
IC2303	C0DBGYY00202	IC	1	
IC3001	AN15876A-VT	IC	1	
IC3101	AN15862A-VT	IC	1	
IC3500	EHMDD9851	LINEAR IC	1	
IC4500	TVRP387S	IC	1	PAVCA
IC4501	TVRP386S	IC	1	PAVCA
IC4504	C3EBEY000009	IC	1	
IC4506	C0DBGGF00001	IC	1	
IC4508,09	C0CBAD000082	IC	2	
IC4510	C1AB00002753	IC	1	
IC4800	C1ZBZ0003577	IC	1	
IC5600	C0DBAYY00273	IC	1	
IC5601	C0DBAYY00274	IC	1	
IC5602	C0EBF0000335	IC	1	
IC5603	C0DBEMB00005	LINEAR IC	1	
IC5604	C0CBCBD00043	IC	1	
IC5605	C0DBAJB00004	IC	1	
IC5704	C0EBM0000026	IC	1	
IC6131	C0ZBZ0000895	IC	1	
IC6151	C0ZBZ0001324	IC	1	
IC6191	C0ZBZ0000895	IC	1	
IC6211	C0ZBZ0001325	IC	1	
IC6221	C0DBEMC00043	IC	1	
IC6241	C0JBAZ000005	IC	1	
IC6251	NJM2903M	INTEGRATED CIRCUIT	1	
IC6471	C0DBEKA00003	IC	1	
IC6472	C0JBAA000377	IC	1	
IC6501	C0ZBZ0000895	IC	1	
IC6521	C0ZBZ0001324	IC	1	
IC6561,62	C0JBAZ000005	IC	2	
IC6581	NJM2903M	INTEGRATED CIRCUIT	1	
IC6671	C0ZBZ0001325	IC	1	
IC6721,22	C0JBAZ000994	IC	2	
IC6724,25	C0CBADC00072	IC	2	
IC6752	C0ZBZ0001324	IC	1	
IC6771	C0CBADC00072	IC	1	
IC6772	C0ZBZ0001325	IC	1	
IC6773,74	C0JBAA000377	IC	2	

Ref. No.	Part No.	Part Name & Description	Pcs	Remarks
IC6791	N0BF1FB00001	IC	1	
IC6801,02	C0DBEMC00043	IC	2	
IC6803	C5HABZZ00165	IC	1	
IC6821	C0DBEMC00043	IC	1	
IC6841	C0DBEMC00043	IC	1	
IC6861	NJM2903M	INTEGRATED CIRCUIT	1	
IC6871	NJM2903M	INTEGRATED CIRCUIT	1	
IC6901-06	AN16077A-VT	IC	6	PAVCA
IC6951-56	AN16077A-VT	IC	6	PAVCA
IC7101,02	C0JBAAZ001120	IC	2	
IC7201,02	C0JBAAZ001120	IC	2	
IC7204	C0JBAAZ001120	IC	1	
IC8001	MN2WS0039A	IC	1	PAVCA
IC8002,03	C3ABSG000039	IC	2	PAVCA
IC8004	C0ZBZ0001030	IC	1	
IC8302	MN88435	IC	1	PAVCA
IC8502	TVRP390S	IC	1	PAVCA
IC8503	TVRP389S	IC	1	PAVCA
IC9001	TVRP207-2	IC	1	
IC9002	C1ZBZ0003577	IC	1	
IC9003	MNZSFC9GPH2	IC	1	
IC9007	TVRP210-3	IC	1	
IC9011	C0EBF0000431	IC	1	
IC9013	C0JBAAZ002060	IC	1	
IC9200	C1ZBZ0003600	IC	1	
IC9303	TVRP213	IC	1	
IC9500	C1ZBZ0003575	IC	1	
IC9802,03	C0JBAAZ001120	IC	2	
IC9805	C0DBAYY00274	IC	1	
IC9806	C0DBAYY00273	IC	1	
IC9900	MN84524	IC	1	
IC9901	C3ABQJ000051	IC	1	
JK3000	K1U939A00003	TERMINAL BOARD	1	PAVCA
JK3002	K2HA204A0041	JACK	1	
JK4500,01	K1FY119D0002	CONNECTOR	2	
JK7701	K1NA09E00080	9P CONNECTOR	1	
JS2042	D0YAR0000007	M 0.0 OHM, J,0.063W	1	
JS2088	ERJ6GEY0R00V	M 0 OHM, 1/10W	1	
JS2301-05	ERJ6GEY0R00V	M 0 OHM, 1/10W	5	
JS3251-53	D0YAR0000007	M 0.0 OHM, J,0.063W	3	
JS4010	ERJ6GEY0R00V	M 0 OHM, 1/10W	1	
JS4023	D0YAR0000007	M 0.0 OHM, J,0.063W	1	
JS4025	D0YAR0000007	M 0.0 OHM, J,0.063W	1	
JS4501	D0YAR0000007	M 0.0 OHM, J,0.063W	1	
JS7701	J0JCC0000100	CHIP INDUCTOR	1	
JS8502	ERJ6GEY0R00V	M 0 OHM, 1/10W	1	
K1	K1KY12B00001	12P CONNECTOR	1	
K2	K1KA02BA0061	2P CONNECTOR	1	
L1100	J0JHC0000078	CHIP INDUCTOR	1	
L2021	J0JHC0000078	CHIP INDUCTOR	1	
L2029	J0JCC0000077	CHIP INDUCTOR	1	
L2040	J0JHC0000045	CHIP INDUCTOR	1	
L2300	G1C100M00044	INDUCTION COIL	1	
L2302	G1C100M00044	INDUCTION COIL	1	
L2304	G1C100M00044	INDUCTION COIL	1	
L2306	G1C100M00044	INDUCTION COIL	1	
L2308	J0JJC0000011	CHIP INDUCTOR	1	
L2310	J0JJC0000011	CHIP INDUCTOR	1	
L3001	J0JHC0000078	CHIP INDUCTOR	1	
L3101	J0JHC0000078	CHIP INDUCTOR	1	
L3500	TALL08N2R7MA	INDUCTION COIL	1	
L3501,02	G1C150MA0234	INDUCTION COIL	2	
L3506	G1C100M00044	INDUCTION COIL	1	

Ref. No.	Part No.	Part Name & Description	Pcs	Remarks
L3511	G1C3R3ZA0083	INDUCTION COIL	1	
L4500-07	J0JHC0000078	CHIP INDUCTOR	8	
L4511	J0JHC0000078	CHIP INDUCTOR	1	
L4512	J0JCC0000077	CHIP INDUCTOR	1	
L4515,16	J0JHC0000078	CHIP INDUCTOR	2	
L4518	J0JHC0000078	CHIP INDUCTOR	1	
L4520,21	J0JHC0000078	CHIP INDUCTOR	2	
L4524	J0JHC0000078	CHIP INDUCTOR	1	
L5600,01	G1C2R2ZA0083	INDUCTION COIL	2	
L5602	G1C3R3ZA0083	INDUCTION COIL	1	
L5604	G1C100MA0077	INDUCTION COIL	1	
L5605	J0JCC0000241	CHIP INDUCTOR	1	
L5606	G1C100MA0077	INDUCTION COIL	1	
L5607-09	J0JHC0000078	CHIP INDUCTOR	3	
L5610	G0A2R7ZA0021	CHOKE COIL	1	
L5611	G1C100MA0077	INDUCTION COIL	1	
L5612	G1C470MA0077	INDUCTION COIL	1	
L6000	J0JJC0000015	CHIP INDUCTOR	1	
L6001-03	ELC13P1R9	CHOKE COIL	3	
L6010	J0JJC0000015	CHIP INDUCTOR	1	
L6011-13	ELC13P1R9	CHOKE COIL	3	
L6045-48	G0ZZ00002183	PEAKING COIL	4	
L6057,58	G0ZZ00002183	PEAKING COIL	2	
L6061-64	G0ZZ00002183	PEAKING COIL	4	
L6083,84	G0ZZ00002183	PEAKING COIL	2	
L6101	J0JJC0000015	CHIP INDUCTOR	1	
L6103	G0ZZ00002183	PEAKING COIL	1	
L6106	J0JJC0000015	CHIP INDUCTOR	1	
L6212	J0JJC0000015	CHIP INDUCTOR	1	
L6221	G0ZZ00002183	PEAKING COIL	1	
L6241	G0ZZ00002183	PEAKING COIL	1	
L6262	G0ZZ00002183	PEAKING COIL	1	
L6271	G0ZZ00002183	PEAKING COIL	1	
L6401-03	ELC13P1R9	CHOKE COIL	3	
L6411-13	ELC13P1R9	CHOKE COIL	3	
L6461-68	G0ZZ00002183	PEAKING COIL	8	
L6472	G0ZZ00002183	PEAKING COIL	1	
L6474	G0ZZ00002183	PEAKING COIL	1	
L6481,82	G0ZZ00002183	PEAKING COIL	2	
L6485,86	G0ZZ00002183	PEAKING COIL	2	
L6591,92	G0ZZ00002183	PEAKING COIL	2	
L6601,02	G0ZZ00002183	PEAKING COIL	2	
L6690	G0ZZ00002183	PEAKING COIL	1	
L7701	J0JCC0000143	CHIP INDUCTOR	1	PAVCA
L8001-05	J0JHC0000045	CHIP INDUCTOR	5	
L8006	J0JCC0000100	CHIP INDUCTOR	1	
L8007-10	J0JHC0000045	CHIP INDUCTOR	4	
L8300-03	J0JHC0000045	CHIP INDUCTOR	4	
L8306,07	G1CR22JA0020	INDUCTION COIL	2	
L8309	G1CR39JA0020	INDUCTION COIL	1	PAVCA
L8310,11	J0JHC0000045	CHIP INDUCTOR	2	
L8313,14	J0JHC0000045	CHIP INDUCTOR	2	
L8317,18	G1CR22JA0020	INDUCTION COIL	2	
L8500	J0JCC0000241	CHIP INDUCTOR	1	
L8501	J0JHC0000045	CHIP INDUCTOR	1	
L8507	J0JHC0000045	CHIP INDUCTOR	1	
L9500	G1C150KA0038	INDUCTION COIL	1	
L9501,02	J0JHC0000078	CHIP INDUCTOR	2	
L9504,05	J0JHC0000078	CHIP INDUCTOR	2	
L9800	G1C2R2Z00007	INDUCTION COIL	1	
L9801	G1C1R5Z00006	INDUCTION COIL	1	
L9802	G1C2R2Z00007	INDUCTION COIL	1	
NP	TNPH0692ABS	CIRCUIT BOARD A	1	PAVCA ▲
NP	TXNC11HNTU	CIRCUIT BOARD C1	1	PAVCA ▲
NP	TXNC21HNTU	CIRCUIT BOARD C2	1	PAVCA ▲
NP	TZTNP01LPTU	CIRCUIT BOARD D	1	PAVCA ▲
NP	TXN/P1HNTUS	CIRCUIT BOARD P	1	PAVCA ▲
NP	TXNSC1HNTU	CIRCUIT BOARD SC	1	PAVCA ▲
NP	TXNSD1HNTU	CIRCUIT BOARD SD	1	PAVCA ▲
NP	TXNSS1HNTUJS	CIRCUIT BOARD SS	1	PAVCA ▲
NP	TXNSU1HNTU	CIRCUIT BOARD SU	1	PAVCA ▲
NP	TNPA4280S	CIRCUIT BOARD GS	1	PAVCA ▲

Ref. No.	Part No.	Part Name & Description	Pcs	Remarks
NP	TNPA4236S	CIRCUIT BOARD K	1	PAVCA Δ
NP	TNPA4237S	CIRCUIT BOARD S	1	PAVCA Δ
PA9800	K5H4022A0023	FUSE	1	
PA9900	K5H5022A0023	FUSE	1	
PC6480	B3PBA0000223	IC	1	
PC6701,02	B3PBA0000457	IC	2	
PC6704	B3PBA0000456	IC	1	
PC6705	B3PBA0000397	IC	1	
PC6801	B3PBA0000223	IC	1	
PC6861	B3PBA0000223	IC	1	
PC6871	B3PBA0000223	IC	1	
Q1107,08	2SD0601ARL	TRANSISTOR	2	
Q2041,42	2SD0601ARL	TRANSISTOR	2	
Q2053	2SB0709ARL	TRANSISTOR	1	
Q2056	2SD0601ARL	TRANSISTOR	1	
Q2057	2SB0709ARL	TRANSISTOR	1	
Q2059,60	2SD0601ARL	TRANSISTOR	2	
Q2066	2SD0601ARL	TRANSISTOR	1	
Q2301	2SB0709ARL	TRANSISTOR	1	
Q2302	2SD0601ARL	TRANSISTOR	1	
Q2510,11	2SD0601ARL	TRANSISTOR	2	
Q2602	B1MBACA00008	TRANSISTOR	1	
Q3123,24	2SD0601ARL	TRANSISTOR	2	
Q3125	2SB0709ARL	TRANSISTOR	1	
Q3500	2SD0601ARL	TRANSISTOR	1	
Q3502,03	2SB0709ARL	TRANSISTOR	2	
Q3504,05	2SD0601ARL	TRANSISTOR	2	
Q4014,15	2SD0601ARL	TRANSISTOR	2	
Q4500-05	2SD0601ARL	TRANSISTOR	6	
Q4514-17	2SB0709ARL	TRANSISTOR	4	
Q5021	2SB0709ARL	TRANSISTOR	1	
Q5600-02	B1MBEDA00015	TRANSISTOR	3	
Q5603	2SD602A-R	TRANSISTOR	1	
Q5604	2SB0709ARL	TRANSISTOR	1	
Q5605	2SK3065T100	FET	1	
Q5606,07	2SD0601ARL	TRANSISTOR	2	
Q6001-03	B1JADN000001	TRANSISTOR	3	
Q6021-23	B1JADN000001	TRANSISTOR	3	
Q6031	B1ADR000001	TRANSISTOR	1	
Q6041,42	B1JADN000002	TRANSISTOR	2	
Q6052	B1JADN000002	TRANSISTOR	1	
Q6101	B1DFKM000002	TRANSISTOR	1	
Q6103	B1ABNF000006	TRANSISTOR	1	
Q6104	B1ADNF000006	TRANSISTOR	1	
Q6106	B1DFKM000002	TRANSISTOR	1	
Q6111	B1DFKM000001	TRANSISTOR	1	
Q6114	B1DFKM000001	TRANSISTOR	1	
Q6141	B1ABNF000006	TRANSISTOR	1	
Q6142	B1ADNF000006	TRANSISTOR	1	
Q6146	B1ABNF000006	TRANSISTOR	1	
Q6147	B1ADNF000006	TRANSISTOR	1	
Q6171	B1ABRD000003	TRANSISTOR	1	
Q6172	B1ADR000001	TRANSISTOR	1	
Q6181	B1ABRD000003	TRANSISTOR	1	
Q6222	2SC1473AEA	TRANSISTOR	1	
Q6251	2SD0601ARL	TRANSISTOR	1	
Q6256	2SD1263A	TRANSISTOR	1	
Q6271	2SD0601ARL	TRANSISTOR	1	
Q6401-03	B1JADN000001	TRANSISTOR	3	
Q6421-23	B1JADP000002	TRANSISTOR	3	
Q6441,42	B1JADN000002	TRANSISTOR	2	
Q6451	B1JADP000002	TRANSISTOR	1	
Q6501	B1ABNF000006	TRANSISTOR	1	
Q6502	B1ADNF000006	TRANSISTOR	1	
Q6521	B1ABNF000006	TRANSISTOR	1	
Q6522	B1ADNF000006	TRANSISTOR	1	
Q6531	B1ABRD000003	TRANSISTOR	1	
Q6532	B1ADR000001	TRANSISTOR	1	
Q6551	B1ABRD000003	TRANSISTOR	1	
Q6552	B1ADR000001	TRANSISTOR	1	

Ref. No.	Part No.	Part Name & Description	Pcs	Remarks
Q6581	2SD0601ARL	TRANSISTOR	1	
Q6601	B1DFES000003	TRANSISTOR	1	
Q6602	2SD0601ARL	TRANSISTOR	1	
Q6603	2SB0709ARL	TRANSISTOR	1	
Q6621,22	2SK399500L	FET	2	
Q6642-44	2SK399500L	FET	3	
Q6646-48	2SK399500L	FET	3	
Q6661	B1DEET000002	TRANSISTOR	1	
Q6662	2SD0601ARL	TRANSISTOR	1	
Q6665	B1ABNF000006	TRANSISTOR	1	
Q6671,72	B1DFDR000001	TRANSISTOR	2	
Q6679	B1ABNF000006	TRANSISTOR	1	
Q6680	B1ADNF000006	TRANSISTOR	1	
Q6690	2SA19610Q0HW	TRANSISTOR	1	
Q6742,43	2SD0601ARL	TRANSISTOR	2	
Q6762	B1ADNF000006	TRANSISTOR	1	
Q6781	B1ABNF000006	TRANSISTOR	1	
Q6782	B1ADNF000006	TRANSISTOR	1	
Q6791	2SD0601ARL	TRANSISTOR	1	
Q6805	2SC3063	TRANSISTOR	1	
Q6806	2SC1473AEA	TRANSISTOR	1	
Q6821,22	2SD1263A	TRANSISTOR	2	
Q6824	2SD0601ARL	TRANSISTOR	1	
Q6841	2SD1263A	TRANSISTOR	1	
Q6842	2SC1473AEA	TRANSISTOR	1	
Q8301	2SB0709ARL	TRANSISTOR	1	
Q8302,03	B1CBHD000002	FET	2	
Q9010	2SD0601ARL	TRANSISTOR	1	
Q9044	2SD0601ARL	TRANSISTOR	1	
Q9046	2SD0601ARL	TRANSISTOR	1	
Q9050-54	2SD0601ARL	TRANSISTOR	5	
Q9301,02	2SD0601ARL	TRANSISTOR	2	
Q9805,06	2SD0601ARL	TRANSISTOR	2	
Q9807-09	B1MBEDA00015	TRANSISTOR	3	
R1100	ERJ2GEJ101	M 100 OHM, J,0.063W	1	
R1101	DOYAR0000007	M 0.0 OHM, J,0.063W	1	
R1102	ERJ2GEJ101	M 100 OHM, J,0.063W	1	
R1103	ERJ2RKD330	M 33 OHM, J,0.063W	1	
R1104	ERJ2GEJ473	M 47KOHM, J,0.063W	1	
R1105-09	ERJ2GEJ101	M 100 OHM, J,0.063W	5	
R1110	ERJ2GEJ103	M 10KOHM, J,0.063W	1	
R1111,12	ERJ2GEJ474	M 470KOHM, J,0.063W	2	
R1113	ERJ2GEJ101	M 100 OHM, J,0.063W	1	
R1124,25	ERJ2GEJ473	M 47KOHM, J,0.063W	2	
R1126	ERJ2GEJ101	M 100 OHM, J,0.063W	1	
R1134	ERJ2GEJ473	M 47KOHM, J,0.063W	1	
R1137	ERJ2GEJ473	M 47KOHM, J,0.063W	1	
R1139,40	ERJ2GEJ473	M 47KOHM, J,0.063W	2	
R1143,44	ERJ2GEJ473	M 47KOHM, J,0.063W	2	
R1146	ERJ2GEJ102X	M 1KOHM, J,0.063W	1	
R1147	ERJ2GEJ105	M 1MOHM, J,0.063W	1	
R1148	ERJ2GEJ101	M 100 OHM, J,0.063W	1	
R1151,52	ERJ2GEJ473	M 47KOHM, J,0.063W	2	
R1153	ERJ2GEJ821	M 820 OHM, J,0.063W	1	
R1162	ERJ2GEJ101	M 100 OHM, J,0.063W	1	

Ref. No.	Part No.	Part Name & Description	Pcs	Remarks
R1164	ERJ2GEJ103	M 10KOHM, J,0.063W	1	
R1165	ERJ2GEJ182	M 1.8KOHM, J,0.063W	1	
R1166	ERJ2GEJ104	M 100KOHM, J,0.063W	1	
R1167	ERJ2GED563X	M 56KOHM, J,0.063W	1	
R1168	ERJ2GEJ333	M 33KOHM, J,0.063W	1	
R1169	ERJ2GED563X	M 56KOHM, J,0.063W	1	
R1170	ERJ2GEJ273	M 27KOHM, J,0.063W	1	
R1171	ERJ2GED563X	M 56KOHM, J,0.063W	1	
R1172	ERJ2GEJ273	M 27KOHM, J,0.063W	1	
R1173	ERJ2GEJ473	M 47KOHM, J,0.063W	1	
R1174,75	ERJ2GEJ220	M 22 OHM, J,0.063W	2	
R1179	ERJ2GEJ101	M 100 OHM, J,0.063W	1	
R1181	ERJ2GEJ101	M 100 OHM, J,0.063W	1	
R1182	ERJ2GEJ273	M 27KOHM, J,0.063W	1	
R1183,84	ERJ2GEJ220	M 22 OHM, J,0.063W	2	
R1187	ERJ2GEJ473	M 47KOHM, J,0.063W	1	
R1190,91	ERJ2GEJ473	M 47KOHM, J,0.063W	2	
R1194	ERJ2GED563X	M 56KOHM, J,0.063W	1	
R1195	ERJ2GEJ104	M 100KOHM, J,0.063W	1	
R1196	ERJ2GEJ333	M 33KOHM, J,0.063W	1	
R1199	ERJ2GEJ473	M 47KOHM, J,0.063W	1	
R1200,01	ERJ2GEJ562	M 5.6KOHM, J,0.063W	2	
R1203	ERJ2GEJ473	M 47KOHM, J,0.063W	1	
R1204	D0YAR0000007	M 0.0 OHM, J,0.063W	1	
R1205,06	ERJ2GEJ220	M 22 OHM, J,0.063W	2	
R1209	ERJ2GEJ473	M 47KOHM, J,0.063W	1	
R1216	ERJ2GEJ333	M 33KOHM, J,0.063W	1	
R1217	ERJ2GED563X	M 56KOHM, J,0.063W	1	
R1218-20	ERJ2GEJ103	M 10KOHM, J,0.063W	3	
R1221	ERJ3EKF7151	M 7.15KOHM, 1/16W	1	
R1222	ERJ2GEJ473	M 47KOHM, J,0.063W	1	
R1223	ERJ2GEJ103	M 10KOHM, J,0.063W	1	
R1224	ERJ2GEJ473	M 47KOHM, J,0.063W	1	
R1225	ERJ2GEJ103	M 10KOHM, J,0.063W	1	
R1226-28	ERJ2GEJ473	M 47KOHM, J,0.063W	3	
R1229	ERJ2GEJ101	M 100 OHM, J,0.063W	1	
R1230-37	ERJ2GEJ473	M 47KOHM, J,0.063W	8	
R1242-47	ERJ2GEJ473	M 47KOHM, J,0.063W	6	
R1250-56	ERJ2GEJ473	M 47KOHM, J,0.063W	7	
R1260	ERJ2GEJ473	M 47KOHM, J,0.063W	1	

Ref. No.	Part No.	Part Name & Description	Pcs	Remarks
R1262	ERJ2GEJ101	M 100 OHM, J,0.063W	1	
R1263	ERJ2GEJ473	M 47KOHM, J,0.063W	1	
R1264	D0YAR0000007	M 0.0 OHM, J,0.063W	1	
R1267-71	ERJ2GEJ473	M 47KOHM, J,0.063W	5	
R1273	ERJ2GEJ473	M 47KOHM, J,0.063W	1	
R1343	ERJ2GEJ561	M 60 OHM, J,0.063W	1	
R1344,45	ERJ2GEJ473	M 47KOHM, J,0.063W	2	
R1356	ERJ2GEJ101	M 100 OHM, J,0.063W	1	
R2056,57	ERJ2GEJ220	M 22 OHM, J,0.063W	2	
R2058	D0YAR0000007	M 0.0 OHM, J,0.063W	1	
R2059	ERJ2GEJ105	M 1MOHM, J,0.063W	1	
R2100	ERJ3EKF2002	M 20KOHM, 1/16W	1	
R2102	ERJ2GEJ562	M 5.6KOHM, J,0.063W	1	
R2104	ERJ3EKF2001	M 2KOHM, 1/16W	1	
R2106	ERJ2GEJ103	M 10KOHM, J,0.063W	1	
R2107,08	ERJ2GEJ102X	M 1KOHM, J,0.063W	2	
R2110	ERJ2GEJ103	M 10KOHM, J,0.063W	1	
R2111	ERJ2GEJ101	M 100 OHM, J,0.063W	1	
R2112	ERJ2GEJ104	M 100KOHM, J,0.063W	1	
R2113	ERJ3EKF1203	M 120KOHM, 1/16W	1	
R2114	ERJ3EKF7502	M 75KOHM, 1/16W	1	
R2115	ERJ2GEJ103	M 10KOHM, J,0.063W	1	
R2116	ERJ2GEJ102X	M 1KOHM, J,0.063W	1	
R2117	ERJ2GEJ473	M 47KOHM, J,0.063W	1	
R2118	ERJ2GEJ223	M 22KOHM, J,0.063W	1	
R2125	ERJ2GEJ102X	M 1KOHM, J,0.063W	1	
R2130,31	ERJ2GEJ103	M 10KOHM, J,0.063W	2	
R2132	ERJ2GEJ104	M 100KOHM, J,0.063W	1	
R2139	ERJ2GEJ103	M 10KOHM, J,0.063W	1	
R2140	ERJ2GEJ104	M 100KOHM, J,0.063W	1	
R2142	ERJ2GEJ223	M 22KOHM, J,0.063W	1	
R2145	ERJ2GEJ104	M 100KOHM, J,0.063W	1	
R2146	ERJ2GEJ105	M 1MOHM, J,0.063W	1	
R2148	D0YAR0000007	M 0.0 OHM, J,0.063W	1	
R2149	ERJ2GEJ103	M 10KOHM, J,0.063W	1	
R2150,51	ERJ3EKF2802	M 28KOHM, 1/16W	2	
R2153	ERJ2GEJ104	M 100KOHM, J,0.063W	1	
R2165	ERJ2GEJ103	M 10KOHM, J,0.063W	1	
R2166	ERJ3EKF1602	M16.0KOHM, 1/16W	1	
R2168	ERJ3EKF1602	M16.0KOHM, 1/16W	1	
R2169	ERJ3EKF2202	M 22KOHM, 1/16W	1	
R2181	ERJ3EKF2202	M 22KOHM, 1/16W	1	
R2182,83	ERJ3EKF3602	M 36KOHM, 1/16W	2	
R2199	J0JCC0000100	CHIP INDUCTOR	1	
R2271	EXB28VR000X	RESISTOR ARRAY	1	

Ref. No.	Part No.	Part Name & Description	Pcs	Remarks
R2276	ERJ2GEJ103	M 10KOHM, J, 0.063W	1	
R2301, 02	ERJ2GEJ222	M 2.2KOHM, J, 0.063W	2	
R2305	ERJ3GEYJ471	M 470 OHM, J, 1/16W	1	
R2306	ERJ3GEYJ683	M 68KOHM, J, 1/16W	1	
R2308	ERJ8GEYJ3R3V	M 3.3 OHM, J, 1/8W	1	
R2311	ERJ8GEYJ3R3V	M 3.3 OHM, J, 1/8W	1	
R2313	ERJ8GEYJ3R3V	M 3.3 OHM, J, 1/8W	1	
R2315	ERJ8GEYJ3R3V	M 3.3 OHM, J, 1/8W	1	
R2317	ERJ6GEYJ100V	M 10 OHM, J, 1/10W	1	
R2319	ERJ6GEYJ100V	M 10 OHM, J, 1/10W	1	
R2321	ERJ6GEYJ100V	M 10 OHM, J, 1/10W	1	
R2325	ERJ6GEYJ100V	M 10 OHM, J, 1/10W	1	
R2330	ERJ2GEJ102X	M 1KOHM, J, 0.063W	1	
R2331	ERJ2GEJ222	M 2.2KOHM, J, 0.063W	1	
R2350	ERJ2GEJ224	M 220KOHM, J, 0.063W	1	
R2351	ERJ2GEJ103	M 10KOHM, J, 0.063W	1	
R2352	ERJ2GEJ473	M 47KOHM, J, 0.063W	1	
R2353	ERJ2GEJ104	M 100KOHM, J, 0.063W	1	
R2362	ERJ6GEYJ100V	M 10 OHM, J, 1/10W	1	
R2516	ERJ3GEYJ223	M 22KOHM, J, 1/16W	1	
R2517	ERJ6GEYJ470V	M 47 OHM, J, 1/10W	1	
R2520	ERJ3GEYJ224	M 220KOHM, J, 1/16W	1	
R2524	ERJ3GEYJ223	M 22KOHM, J, 1/16W	1	
R2525	ERJ3GEYF821	M 820 OHM, 1/16W	1	
R2542	D0GB473JA057	M 47KOHM, J, 1/16W	1	
R2557	ERJ3GEYJ562	M 5.6KOHM, J, 1/16W	1	
R2620, 21	ERJ2GEJ220	M 22 OHM, J, 0.063W	2	
R2622, 23	ERJ2GEJ472	M 4.7KOHM, J, 0.063W	2	
R3001	ERJ2GEJ221	M 220 OHM, J, 0.063W	1	
R3002	ERJ2GEJ102X	M 1KOHM, J, 0.063W	1	
R3003	ERJ2GEJ221	M 220 OHM, J, 0.063W	1	
R3005	ERJ2GEJ221	M 220 OHM, J, 0.063W	1	
R3020	ERJ2GEJ221	M 220 OHM, J, 0.063W	1	
R3032	ERJ2GEJ221	M 220 OHM, J, 0.063W	1	
R3033	ERJ3EKF75R0	M 0.75HM, 1/16W	1	
R3071	ERJ2GEJ680	M 68 OHM, J, 0.063W	1	
R3073	ERJ2GEJ680	M 68 OHM, J, 0.063W	1	
R3075	ERJ2GEJ680	M 68 OHM, J, 0.063W	1	
R3077	ERJ2GEJ680	M 68 OHM, J, 0.063W	1	
R3079	ERJ2GEJ680	M 68 OHM, J, 0.063W	1	
R3081	ERJ2GEJ680	M 68 OHM, J, 0.063W	1	
R3083	ERJ2GEJ331	M 330 OHM, J, 0.063W	1	
R3084	ERJ2GEJ220	M 22 OHM, J, 0.063W	1	
R3087	ERJ2GEJ221	M 220 OHM, J, 0.063W	1	
R3095	ERJ2GEJ221	M 220 OHM, J, 0.063W	1	

Ref. No.	Part No.	Part Name & Description	Pcs	Remarks
R3096	ERJ2GEJ102X	M 1KOHM, J, 0.063W	1	
R3097	ERJ2GEJ221	M 220 OHM, J, 0.063W	1	
R3099	ERJ2GEJ221	M 220 OHM, J, 0.063W	1	
R3103, 04	ERJ2GEJ221	M 220 OHM, J, 0.063W	2	
R3106-17	ERJ2GEJ221	M 220 OHM, J, 0.063W	12	
R3122	ERJ2GEJ104	M 100KOHM, J, 0.063W	1	
R3123, 24	ERJ2GEJ182	M 1.8KOHM, J, 0.063W	2	
R3125, 26	ERJ2GEJ221	M 220 OHM, J, 0.063W	2	
R3134	ERJ2GEJ104	M 100KOHM, J, 0.063W	1	
R3135, 36	ERJ2GEJ220	M 22 OHM, J, 0.063W	2	
R3137	ERJ2GEJ104	M 100KOHM, J, 0.063W	1	
R3145	ERJ2GEJ101	M 100 OHM, J, 0.063W	1	
R3146	ERJ2GEJ184	M 180KOHM, J, 0.063W	1	
R3147	ERJ2GEJ101	M 100 OHM, J, 0.063W	1	
R3148	ERJ2GEJ184	M 180KOHM, J, 0.063W	1	
R3149, 50	ERJ2GEJ101	M 100 OHM, J, 0.063W	2	
R3151	ERJ2GEJ105	M 1MOHM, J, 0.063W	1	
R3152	ERJ2GEJ473	M 47KOHM, J, 0.063W	1	
R3153	ERJ2GEJ102X	M 1KOHM, J, 0.063W	1	
R3154	ERJ2GEJ274	M 270KOHM, J, 0.063W	1	
R3189	ERJ3EKF75R0	M 0.75HM, 1/16W	1	
R3190-93	D0GB393JA041	M 39KOHM, J, 1/16W	4	
R3194	ERJ3EKF75R0	M 0.75HM, 1/16W	1	
R3195, 96	D0GB393JA041	M 39KOHM, J, 1/16W	2	
R3197-99	ERJ3EKF75R0	M 0.75HM, 1/16W	3	
R3200-02	D0GB393JA041	M 39KOHM, J, 1/16W	3	
R3203	ERJ3EKF75R0	M 0.75HM, 1/16W	1	
R3204	D0GB393JA041	M 39KOHM, J, 1/16W	1	
R3205	ERJ3EKF75R0	M 0.75HM, 1/16W	1	
R3207-09	ERJ3EKF75R0	M 0.75HM, 1/16W	3	
R3211, 12	ERJ3EKF75R0	M 0.75HM, 1/16W	2	
R3258-60	ERJ2GEJ470	M 47 OHM, J, 0.063W	3	
R3261	ERJ3EKF1000	M 100 OHM, 1/16W	1	
R3505, 06	ERJ2GEJ103	M 10KOHM, J, 0.063W	2	
R3507	ERJ2GEJ473	M 47KOHM, J, 0.063W	1	
R3508	D0YAR0000007	M 0.0 OHM, J, 0.063W	1	
R3512	ERJ2GEJ222	M 2.2KOHM, J, 0.063W	1	
R3513	ERJ2GEJ472	M 4.7KOHM, J, 0.063W	1	
R3514	ERJ2GEJ103	M 10KOHM, J, 0.063W	1	
R3515	ERJ2GEJ473	M 47KOHM, J, 0.063W	1	
R3516	ERJ2GEJ222	M 2.2KOHM, J, 0.063W	1	
R3517	ERJ2GEJ472	M 4.7KOHM, J, 0.063W	1	
R3518	ERJ3GEYJ681	M 680 OHM, J, 1/16W	1	
R3519	ERJ2GEJ222	M 2.2KOHM, J, 0.063W	1	
R3520	ERJ2GEJ104	M 100KOHM, J, 0.063W	1	

Ref. No.	Part No.	Part Name & Description	Pcs	Remarks
R3521	ERJ3GEYJ471	M 470 OHM, J, 1/16W	1	
R3523	ERJ3GEYJ471	M 470 OHM, J, 1/16W	1	
R3525	ERJ3GEYJ221	M 220 OHM, J, 1/16W	1	
R3527, 28	ERJ2GEJ103	M 10KOHM, J, 0.063W	2	
R3529, 30	ERJ2GEJ472	M 4.7KOHM, J, 0.063W	2	
R3534	ERJ3EKF2611	M2.61KOHM, 1/16W	1	
R3535	ERJ3EKF1271V	M1.27KOHM, 1/16W	1	PAVCA
R3560-63	ERJ8GEY0R00	M 0 OHM, 1/8W	4	
R3572, 73	ERJ8GEY0R00	M 0 OHM, 1/8W	2	
R3752	ERJ6ENF1741	M1.74KOHM, 1/10W	1	
R3753	ERJ6ENF1621	M1.62KOHM, 1/10W	1	
R3754	ERJ6ENF2321	M2.32KOHM, 1/10W	1	
R3756	ERJ6GEY0R00V	M 0 OHM, 1/10W	1	
R3758	ERJ6ENF3161	M3.16KOHM, 1/10W	1	
R3766, 67	ERJ6GEY0R00V	M 0 OHM, 1/10W	2	
R4001	ERJ2GEJ103	M 10KOHM, J, 0.063W	1	
R4013	ERJ2GEJ473	M 47KOHM, J, 0.063W	1	
R4079	D1HG5608A002	NETWORK RESISTER	1	
R4081	D1HG5608A002	NETWORK RESISTER	1	
R4089-91	D1HG5608A002	NETWORK RESISTER	3	
R4092, 93	ERJ6GEY0R00V	M 0 OHM, 1/10W	2	
R4134-37	ERJ2GEJ101	M 100 OHM, J, 0.063W	4	
R4152	J0JCC0000100	CHIP INDUCTOR	1	
R4153, 54	ERJ2GEJ101	M 100 OHM, J, 0.063W	2	
R4156	ERJ2GEJ220	M 22 OHM, J, 0.063W	1	
R4162	ERJ2GEJ104	M 100KOHM, J, 0.063W	1	
R4166	ERJ2GEJ103	M 10KOHM, J, 0.063W	1	
R4167	ERJ2GEJ473	M 47KOHM, J, 0.063W	1	
R4168	EXB2HV473JV	RESISTOR ARRAY	1	
R4286-88	ERJ2GEJ473	M 47KOHM, J, 0.063W	3	
R4325	ERJ2GEJ473	M 47KOHM, J, 0.063W	1	
R4328	ERJ2GEJ473	M 47KOHM, J, 0.063W	1	
R4330	ERJ2GEJ473	M 47KOHM, J, 0.063W	1	
R4500, 01	ERJ2GEJ103	M 10KOHM, J, 0.063W	2	
R4502, 03	ERJ2GEJ390	M 39 OHM, J, 0.063W	2	
R4506, 07	ERJ2GEJ103	M 10KOHM, J, 0.063W	2	
R4508-23	ERJ2GEJ2R2X	M 2.2OHM, J, 0.063W	16	
R4524, 25	ERJ2GEJ103	M 10KOHM, J, 0.063W	2	
R4526, 27	ERJ2GEJ102X	M 1KOHM, J, 0.063W	2	
R4528	ERJ2GEJ103	M 10KOHM, J, 0.063W	1	
R4529	ERJ2GEJ472	M 4.7KOHM, J, 0.063W	1	
R4530	ERJ2GEJ103	M 10KOHM, J, 0.063W	1	
R4531	ERJ2GEJ472	M 4.7KOHM, J, 0.063W	1	
R4532, 33	ERJ2GEJ103	M 10KOHM, J, 0.063W	2	
R4535, 36	ERJ2GEJ472	M 4.7KOHM, J, 0.063W	2	
R4538	ERJ2GEJ473	M 47KOHM, J, 0.063W	1	
R4539	ERJ2GEJ680	M 68 OHM, J, 0.063W	1	

Ref. No.	Part No.	Part Name & Description	Pcs	Remarks
R4540	ERJ2GEJ473	M 47KOHM, J, 0.063W	1	
R4541-43	ERJ2GEJ680	M 68 OHM, J, 0.063W	3	
R4544-47	ERJ2GEJ103	M 10KOHM, J, 0.063W	4	
R4552	ERJ2GEJ220	M 22 OHM, J, 0.063W	1	
R4561	ERJ2GEJ473	M 47KOHM, J, 0.063W	1	
R4562, 63	ERJ2GEJ472	M 4.7KOHM, J, 0.063W	2	
R4564, 65	ERJ2GEJ220	M 22 OHM, J, 0.063W	2	
R4578, 79	ERJ2GEJ151	M 150 OHM, J, 0.063W	2	
R4585	ERJ2GEJ101	M 100 OHM, J, 0.063W	1	
R4587	ERJ3GEYF821	M 820 OHM, 1/16W	1	
R4590, 91	D0YAR0000007	M 0.0 OHM, J, 0.063W	2	
R4593	ERJ3EKF1001	M 1KOHM, 1/16W	1	
R4596-98	ERJ6GEYG102	M 1KOHM, J, 1/10W	3	
R4601	ERJ6GEYG102	M 1KOHM, J, 1/10W	1	
R4604	ERJ3EKF7501	M 7.5KOHM, 1/16W	1	
R4606	ERJ3EKF4701	M 4.7KOHM, 1/16W	1	
R4611	ERJ3EKF1371	M1.37KOHM, 1/16W	1	
R4612	ERJ3EKF1501	M 1.5KOHM, 1/16W	1	
R4613, 14	ERJ2GEJ220	M 22 OHM, J, 0.063W	2	
R4615	ERJ3EKF1600	M 160 OHM, 1/16W	1	
R4617	ERJ2GEJ102X	M 1KOHM, J, 0.063W	1	
R4619	ERJ2GEJ102X	M 1KOHM, J, 0.063W	1	
R4620	D0YAR0000007	M 0.0 OHM, J, 0.063W	1	
R4622	ERJ2GEJ101	M 100 OHM, J, 0.063W	1	
R4624	ERJ3EKF1691	M1.69KOHM, 1/16W	1	
R4626	ERJ2GEJ105	M 1MOHM, J, 0.063W	1	
R4627	D0YAR0000007	M 0.0 OHM, J, 0.063W	1	
R4631	ERJ3EKF4990	M 499 OHM, 1/16W	1	
R4635	EXB28V680JX	RESISTOR ARRAY	1	
R4636-38	ERJ2GEJ680	M 68 OHM, J, 0.063W	3	
R4639, 40	EXB28V680JX	RESISTOR ARRAY	2	
R4641	ERJ2GEJ220	M 22 OHM, J, 0.063W	1	
R4642	EXB28V680JX	RESISTOR ARRAY	1	
R4643, 44	ERJ2GEJ220	M 22 OHM, J, 0.063W	2	
R4645-47	ERJ2GEJ680	M 68 OHM, J, 0.063W	3	
R4648	EXB28V330J	RESISTOR ARRAY	1	
R4649	EXB28V680JX	RESISTOR ARRAY	1	
R4650, 51	ERJ2GEJ680	M 68 OHM, J, 0.063W	2	
R4652	ERJ2GEJ473	M 47KOHM, J, 0.063W	1	
R4653, 54	D0YAR0000007	M 0.0 OHM, J, 0.063W	2	
R4656-58	ERJ2GEJ220	M 22 OHM, J, 0.063W	3	
R4661	ERJ2GEJ101	M 100 OHM, J, 0.063W	1	
R4663, 64	D0YAR0000007	M 0.0 OHM, J, 0.063W	2	
R4666	ERJ2GEJ473	M 47KOHM, J, 0.063W	1	
R4667	ERJ2GEJ151	M 150 OHM, J, 0.063W	1	
R4670	ERJ2GEJ680	M 68 OHM, J, 0.063W	1	
R4671, 72	D0YAR0000007	M 0.0 OHM, J, 0.063W	2	

Ref. No.	Part No.	Part Name & Description	Pcs	Remarks
R4691,92	ERJ2GEJ220	M 22 OHM, J,0.063W	2	
R4746	ERJ2GEJ473	M 47KOHM, J,0.063W	1	
R4748-89	J0JCC0000100	CHIP INDUCTOR	42	
R4819,20	ERJ2GEJ220	M 22 OHM, J,0.063W	2	
R4860,61	ERJ2GEJ102X	M 1KOHM, J,0.063W	2	
R4864	ERJ2GEJ102X	M 1KOHM, J,0.063W	1	
R5058	ERJ2GEJ102X	M 1KOHM, J,0.063W	1	
R5069	ERJ2GEJ103	M 10KOHM, J,0.063W	1	
R5137	ERJ2GEJ102X	M 1KOHM, J,0.063W	1	
R5182	ERJ2GEJ223	M 22KOHM, J,0.063W	1	
R5183	ERJ2GEJ221	M 220 OHM, J,0.063W	1	
R5184	ERJ2GEJ222	M 2.2KOHM, J,0.063W	1	
R5185	ERJ2GEJ221	M 220 OHM, J,0.063W	1	
R5186	ERJ2RHD682X	M 22KOHM, J, 2W	1	
R5188	ERJ2RHD682X	M 22KOHM, J, 2W	1	
R5600	ERJ2GEJ680	M 68 OHM, J,0.063W	1	
R5601	J0JCC0000100	CHIP INDUCTOR	1	
R5602,03	D0YAR0000007	M 0.0 OHM, J,0.063W	2	
R5604	ERJ3GEYF473	M 47KOHM, 1/16W	1	
R5605	ERJ3EKF1272	M12.7KOHM, 1/16W	1	
R5606-09	D0YAR0000007	M 0.0 OHM, J,0.063W	4	
R5610	ERJ2GEJ104	M 100KOHM, J,0.063W	1	
R5611	ERJ3GEYF473	M 47KOHM, 1/16W	1	
R5612	ERJ3EKF1602	M16.0KOHM, 1/16W	1	
R5614	J0JCC0000100	CHIP INDUCTOR	1	
R5616	D0YAR0000007	M 0.0 OHM, J,0.063W	1	
R5620	ERJ2GEJ680	M 68 OHM, J,0.063W	1	
R5621	ERJ3EKF2702V	M27.0KOHM, 1/16W	1	
R5622	ERJ2GEJ104	M 100KOHM, J,0.063W	1	
R5623	ERJ3GEYF473	M 47KOHM, 1/16W	1	
R5625-28	D0YAR0000007	M 0.0 OHM, J,0.063W	4	
R5629	ERJ3EKF2802	M 28KOHM, 1/16W	1	
R5630	ERJ3EKF4752	M47.5KOHM, 1/16W	1	
R5631	ERJ3EKF3602	M 36KOHM, 1/16W	1	
R5632	ERJ3EKF3002	M 30KOHM, 1/16W	1	
R5633	ERJ3EKF3602	M 36KOHM, 1/16W	1	
R5634	ERJ3EKF1602	M16.0KOHM, 1/16W	1	
R5635	ERJ2GEJ223	M 22KOHM, J,0.063W	1	
R5636	ERJ2GEJ683	M 68KOHM, J,0.063W	1	
R5637	D0YAR0000007	M 0.0 OHM, J,0.063W	1	
R5638	ERJ2GEJ102X	M 1KOHM, J,0.063W	1	
R5640	ERJ2GEJ473	M 47KOHM, J,0.063W	1	
R5641	ERJ6GEYG221	M 220 OHM, J,1/10W	1	
R5642-44	ERJ8GEYJ150V	M 15 OHM, J,1/8W	3	
R5645	D1BA8201A026	M 8.2KOHM, 1/10W	1	
R5646	D1BA1911A026	M 1.19KOHM, 1/10W	1	
R5647	D0YAR0000007	M 0.0 OHM, J,0.063W	1	
R5648	ERJ2GEJ103	M 10KOHM, J,0.063W	1	
R5650,51	ERJ2GED563X	M 56KOHM, J,0.063W	2	

Ref. No.	Part No.	Part Name & Description	Pcs	Remarks
R5652	ERJ2GEJ104	M 100KOHM, J,0.063W	1	
R5653	ERJ3EKF8202	M 82KOHM, 1/16W	1	
R5654	ERJ3EKF1622V	M16.2KOHM, 1/16W	1	PAVCA
R5657	ERJ2GEJ222	M 2.2KOHM, J,0.063W	1	
R5658	ERJ2GEJ473	M 47KOHM, J,0.063W	1	
R5659,60	ERJ2GEJ103	M 10KOHM, J,0.063W	2	
R5661	ERJ2GEJ473	M 47KOHM, J,0.063W	1	
R5747	ERJ2GEJ562	M 5.6KOHM, J,0.063W	1	
R5748,49	ERJ2GEJ473	M 47KOHM, J,0.063W	2	
R5762	ERJ2GEJ101	M 100 OHM, J,0.063W	1	
R6001	D0GF7R5JA047	M 7.5 OHM, J,0.33W	1	
R6003	D0GF7R5JA047	M 7.5 OHM, J,0.33W	1	
R6005	D0GF7R5JA047	M 7.5 OHM, J,0.33W	1	
R6020	ERF5TJ330	W 33 OHM, 5W	1	
R6021	D0GF7R5JA047	M 7.5 OHM, J,0.33W	1	
R6024	D0GF7R5JA047	M 7.5 OHM, J,0.33W	1	
R6026	D0GF7R5JA047	M 7.5 OHM, J,0.33W	1	
R6031,32	ERJ6ENF8202	M 82KOHM, 1/10W	2	
R6033	ERJ6ENF5602	M 56KOHM, 1/10W	1	
R6034	ERJ6ENF2702	M 27KOHM, 1/10W	1	
R6041	D0GF5R6JA047	M 5.6 OHM, J,0.33W	1	
R6043	D0GF5R6JA047	M 5.6 OHM, J,0.33W	1	
R6053	D0GF5R6JA047	M 5.6 OHM, J,0.33W	1	
R6062	ERJ6GEY0R00V	M 0 OHM, 1/10W	1	
R6064	ERJ6GEY0R00V	M 0 OHM, 1/10W	1	
R6066	ERJ6GEY0R00V	M 0 OHM, 1/10W	1	
R6068	ERJ6GEY0R00V	M 0 OHM, 1/10W	1	
R6070-73	ERJ6GEY0R00V	M 0 OHM, 1/10W	4	
R6102	DOGD221JA059	M 220 OHM, J,1/10W	1	
R6108	DOGD221JA059	M 220 OHM, J,1/10W	1	
R6109	DOGD100JA059	M 10 OHM, J,0.25W	1	
R6110	ERJ6GEYF473	M 47KOHM, J,1/10W	1	
R6111	DOGD470JA059	M 47 OHM, J,0.25W	1	
R6113	ERJ14YJ224	M 220KOHM, J,1/4W	1	
R6114	DOGD470JA059	M 47 OHM, J,0.25W	1	
R6116	ERJ6GEYF473	M 47KOHM, J,1/10W	1	
R6131,32	ERJ6GEYJ101V	M 100 OHM, J,1/10W	2	
R6134	DOGD750JA059	M 75 OHM, J,0.25W	1	
R6135,36	DOGD100JA059	M 10 OHM, J,0.25W	2	
R6141,42	ERJ6GEYF473	M 47KOHM, J,1/10W	2	
R6145	D0GF1R0JA047	M 1.0 OHM, J,0.33W	1	
R6146,47	ERJ6GEYF473	M 47KOHM, J,1/10W	2	
R6151,52	ERJ6GEYJ101V	M 100 OHM, J,1/10W	2	
R6154	DOGD750JA059	M 75 OHM, J,0.25W	1	
R6157-60	D0GF1R0JA047	M 1.0 OHM, J,0.33W	4	
R6171	DOGD100JA059	M 10 OHM, J,0.25W	1	
R6172,73	ERJ6GEYF473	M 47KOHM, J,1/10W	2	
R6181	DOGD100JA059	M 10 OHM, J,0.25W	1	
R6182,83	ERJ6GEYF473	M 47KOHM, J,1/10W	2	
R6191,92	ERJ6GEYJ101V	M 100 OHM, J,1/10W	2	
R6193	DOGD750JA059	M 75 OHM, J,0.25W	1	
R6194	D0GF1R0JA047	M 1.0 OHM, J,0.33W	1	

Ref. No.	Part No.	Part Name & Description	Pcs	Remarks
R6210	ERJ6GEYG222	M 2.2KOHM, J, 1/10W	1	
R6213	ERJ6GEYJ101V	M 100 OHM, J, 1/10W	1	
R6214	D0GD151JA059	M 150 OHM, J, 0.25W	1	
R6220	ERJ6GEYG470V	M 47 OHM, J, 1/10W	1	
R6221	ERJ6GEYF472	M 4.7KOHM, J, 1/10W	1	
R6222	ERG1FJS103D	M 10KOHM, J, 1W	1	
R6223	ERG2FJS123D	M 12KOHM, J, 2W	1	
R6225	D0GD203JA059	M 20KOHM, J, 1/10W	1	
R6226, 27	ERJ6GEYJ163V	M 16KOHM, J, 1/10W	2	
R6228	ERJ6GEYG562	M 5.6KOHM, J, 1/10W	1	
R6229	ERJ6GEYJ163V	M 16KOHM, J, 1/10W	1	
R6230	ERJ6GEYG470V	M 47 OHM, J, 1/10W	1	
R6231	ERJ6GEYF472	M 4.7KOHM, J, 1/10W	1	
R6232	ERJ6ENF1201	M 1.2KOHM, 1/10W	1	
R6241	EXB38V470J	RESISTOR ARRAY	1	
R6242	EXB38V472JV	RESISTOR ARRAY	1	
R6246	ERJ6GEYJ273	M 27KOHM, J, 1/10W	1	
R6247	D0GF154JA047	M 150 KOHM, J, 0.33W	1	
R6248	ERJ6GEYJ273	M 27KOHM, J, 1/10W	1	
R6249	D0GF154JA047	M 150 KOHM, J, 0.33W	1	
R6252, 53	ERJ6ENF3902	M 39KOHM, 1/10W	2	
R6254	ERJ6ENF8201	M 8.2KOHM, 1/10W	1	
R6255	ERJ6ENF1201	M 1.2KOHM, 1/10W	1	
R6256	ERJ6ENF1501	M 1.5KOHM, 1/10W	1	
R6257	ERJ6GEYG103	M 10KOHM, J, 1/10W	1	
R6258	ERJ6GEYG222	M 2.2KOHM, J, 1/10W	1	
R6261	ERJ6GEYG104	M 100KOHM, J, 1/10W	1	
R6269	ERJ6GEYJ273	M 27KOHM, J, 1/10W	1	
R6270	D0GF154JA047	M 150 KOHM, J, 0.33W	1	
R6272	ERJ6GEYG222	M 2.2KOHM, J, 1/10W	1	
R6273	ERJ6GEYG103	M 10KOHM, J, 1/10W	1	
R6274	ERJ6GEYG221	M 220 OHM, J, 1/10W	1	
R6276	ERJ6GEYG823	M	1	
R6278	ERJ6GEYJ273	M 27KOHM, J, 1/10W	1	
R6279	D0GF154JA047	M 150 KOHM, J, 0.33W	1	
R6284	ERJ6GEYG102	M 1KOHM, J, 1/10W	1	
R6292	ERJ6GEYF473	M 47KOHM, J, 1/10W	1	
R6401-03	D0GF7R5JA047	M 7.5 OHM, J, 0.33W	3	
R6421-23	D0GF5R6JA047	M 5.6 OHM, J, 0.33W	3	
R6441, 42	D0GF5R6JA047	M 5.6 OHM, J, 0.33W	2	
R6451	D0GF5R6JA047	M 5.6 OHM, J, 0.33W	1	
R6465	ERJ6ENF2702	M 27KOHM, 1/10W	1	
R6466	ERJ6ENF5602	M 56KOHM, 1/10W	1	
R6467, 68	ERJ6ENF8202	M 82KOHM, 1/10W	2	
R6471	ERJ6GEYG392	M 3.9KOHM, J, 1/10W	1	
R6472	ERJ6GEYG222	M 2.2KOHM, J, 1/10W	1	
R6473	ERJ6GEYF561	M 560 OHM, J, 1/10W	1	
R6474	ERJ6GEYG102	M 1KOHM, J, 1/10W	1	
R6475, 76	ERJ6GEYF472	M 4.7KOHM, J, 1/10W	2	
R6477	ERJ6GEYJ101V	M 100 OHM, J, 1/10W	1	
R6501, 02	ERJ6GEYJ101V	M 100 OHM, J, 1/10W	2	
R6503	D0GD100JA059	M 10 OHM, J, 0.25W	1	
R6504	D0GD750JA059	M 75 OHM, J, 0.25W	1	
R6506	D0GD100JA059	M 10 OHM, J, 0.25W	1	

Ref. No.	Part No.	Part Name & Description	Pcs	Remarks
R6507-10	D0GF1R0JA047	M 1.0 OHM, J, 0.33W	4	
R6511, 12	ERJ6GEYF473	M 47KOHM, J, 1/10W	2	
R6516, 17	ERJ6GEYF473	M 47KOHM, J, 1/10W	2	
R6521, 22	ERJ6GEYJ101V	M 100 OHM, J, 1/10W	2	
R6523	D0GD750JA059	M 75 OHM, J, 0.25W	1	
R6531	D0GD100JA059	M 10 OHM, J, 0.25W	1	
R6532, 33	ERJ6GEYF473	M 47KOHM, J, 1/10W	2	
R6551	D0GD100JA059	M 10 OHM, J, 0.25W	1	
R6552, 53	ERJ6GEYF473	M 47KOHM, J, 1/10W	2	
R6561-64	EXB38V470J	RESISTOR ARRAY	4	
R6565-68	EXB38V472JV	RESISTOR ARRAY	4	
R6580	ERJ6GEYG222	M 2.2KOHM, J, 1/10W	1	
R6582, 83	ERJ6ENF3902	M 39KOHM, 1/10W	2	
R6584	ERJ6ENF8201	M 8.2KOHM, 1/10W	1	
R6585	ERJ6ENF1801	M 1.8KOHM, 1/10W	1	
R6586	ERJ6ENF1201	M 1.2KOHM, 1/10W	1	
R6587	ERJ6GEYG222	M 2.2KOHM, J, 1/10W	1	
R6588	ERJ6GEYG103	M 10KOHM, J, 1/10W	1	
R6590	ERJ6GEYG221	M 220 OHM, J, 1/10W	1	
R6591	EXB38V472JV	RESISTOR ARRAY	1	
R6592	ERJ6GEYF472	M 4.7KOHM, J, 1/10W	1	
R6605	ERJ6GEYG182	M 1.8KOHM, J, 1/10W	1	
R6607	D1BD6811A027	M 6.81KOHM, 1/10W	1	
R6608, 09	D0GF102JA047	M 1.0 KOHM, J, 0.33W	2	
R6610	ERJ6GEYG104	M 100KOHM, J, 1/10W	1	
R6612	D0GD470JA059	M 47 OHM, J, 0.25W	1	
R6621, 22	ERJ6GEYG221	M 220 OHM, J, 1/10W	2	
R6623	ERG2FJS333D	M 33KOHM, J, 2W	1	
R6638, 39	D0GF1R0JA047	M 1.0 OHM, J, 0.33W	2	
R6642-44	D0GD330JA059	M 33 OHM, J, 1/10W	3	
R6646-48	D0GD330JA059	M 33 OHM, J, 1/10W	3	
R6658	D0D1101JA009	M 100 OHM, J, 1W	1	
R6659, 60	ERJ6GEYJ224	M 220KOHM, J, 1/10W	2	
R6661	ERJ6GEYG104	M 100KOHM, J, 1/10W	1	
R6662	ERJ6ENF2201	M 2.2KOHM, 1/10W	1	
R6663	ERJ6GEYG103	M 10KOHM, J, 1/10W	1	
R6664	D0GF222JA047	M 2.2 KOHM, J, 0.33W	1	
R6665	D0GD470JA059	M 47 OHM, J, 0.25W	1	
R6666	ERJ6GEYG104	M 100KOHM, J, 1/10W	1	
R6667, 68	ERJ6GEYF472	M 4.7KOHM, J, 1/10W	2	
R6671	D0GD470JA059	M 47 OHM, J, 0.25W	1	
R6672	ERJ6GEYF473	M 47KOHM, J, 1/10W	1	
R6673, 74	D0GD470JA059	M 47 OHM, J, 0.25W	2	
R6680, 81	D0GD100JA059	M 10 OHM, J, 0.25W	2	
R6692	D0GZ472JA020	M 4.7KOHM, J, 0.5W	1	
R6693	ERJ6GEYG823	M	1	
R6694	ERJ6GEYJ273	M 27KOHM, J, 1/10W	1	
R6695	ERJ8GEYJ124	M 120KOHM, J, 1/8W	1	
R6696	ERF5TK2R2	W 2.2 OHM, K, 5W	1	
R6700-04	ERJ6GEYJ471	M 470 OHM, J, 1/10W	5	
R6705, 06	ERJ6GEYJ101V	M 100 OHM, J, 1/10W	2	
R6707, 08	ERJ6GEYJ471	M 470 OHM, J, 1/10W	2	
R6709	ERJ6GEYJ101V	M 100 OHM, J, 1/10W	1	
R6710-14	ERJ6GEYG222	M 2.2KOHM, J, 1/10W	5	

Ref. No.	Part No.	Part Name & Description	Pcs	Remarks
R6717, 18	ERJ6GEYG222	M 2.2KOHM, J, 1/10W	2	
R6721, 22	EXB38V220JV	RESISTOR ARRAY	2	
R6723	ERJ6GEYG182	M 1.8KOHM, J, 1/10W	1	
R6724	ERJ6GEYJ101V	M 100 OHM, J, 1/10W	1	
R6742	ERJ6GEYG103	M 10KOHM, J, 1/10W	1	
R6745	ERJ6GEYF472	M 4.7KOHM, J, 1/10W	1	
R6746, 47	D0GD103JA059	M 10KOHM, J, 0.25W	2	
R6748	ERJ6GEYG332	M 3.3KOHM, J, 1/10W	1	
R6761	D0GD100JA059	M 10 OHM, J, 0.25W	1	
R6762	ERJ6GEYF473	M 47KOHM, J, 1/10W	1	
R6765	D0GF1R0JA047	M 1.0 OHM, J, 0.33W	1	
R6766	D0GD750JA059	M 75 OHM, J, 0.25W	1	
R6768	D0GF1R0JA047	M 1.0 OHM, J, 0.33W	1	
R6769	D0GD750JA059	M 75 OHM, J, 0.25W	1	
R6775, 76	ERJ6GEYJ101V	M 100 OHM, J, 1/10W	2	
R6777	D0GD151JA059	M 150 OHM, J, 0.25W	1	
R6781	D0GD470JA059	M 47 OHM, J, 0.25W	1	
R6782	ERJ6GEYF473	M 47KOHM, J, 1/10W	1	
R6788	ERJ6GEYJ474	M 470KOHM, J, 1/10W	1	
R6789	ERJ6GEYF473	M 47KOHM, J, 1/10W	1	
R6791	ERJ6GEYG102	M 1KOHM, J, 1/10W	1	
R6792	ERJ6GEYG103	M 10KOHM, J, 1/10W	1	
R6793	ERJ6GEYJ101V	M 100 OHM, J, 1/10W	1	
R6795, 96	ERJ6GEYG104	M 100KOHM, J, 1/10W	2	
R6797	ERJ6ENF1692	M 16.9KOHM, 1/10W	1	
R6801	ERG2FNJS8R2E	M 8.2 OHM, J, 2W	1	
R6802	ERJ6GEYG103	M 10KOHM, J, 1/10W	1	
R6806, 07	ERX12SJ1R5	M 1.5 OHM, J, 1/2W	2	
R6808	D0GF272JA047	M 2.7 KOHM, J, 0.33W	1	
R6809	ERGLSJ273	M 27KOHM, J, 1W	1	
R6810	ERJ6GEYG102	M 1KOHM, J, 1/10W	1	
R6811	ERJ6GEYG103	M 10KOHM, J, 1/10W	1	
R6812	ERJ6ENF2403	M 240KOHM, 1/10W	1	
R6813	ERJ6ENF1002	M 10KOHM, 1/10W	1	
R6814	ERJ6ENF5601	M 5.6KOHM, 1/10W	1	
R6815	ERJ6ENF2700	M 270 OHM, 1/10W	1	
R6816	D1BD1152A028	M 11.5KOHM, 1/10W	1	
R6817	ERJ6ENF2491	M 2.49KOHM, 1/10W	1	
R6818	ERJ6GEYJ474	M 470KOHM, J, 1/10W	1	
R6821	ERF5TJ221	M 220 OHM, J, 5W	1	
R6822	ERJ12YJ104U	M 100KOHM, 1/2W	1	
R6823	ERGLFJS104D	M 100KOHM, J, 1W	1	
R6824	ERJ6GEYG392	M 3.9KOHM, J, 1/10W	1	
R6825-27	ERJ6ENF2003	M 200KOHM, 1/10W	3	
R6828	ERJ6ENF4701	M 4.7KOHM, 1/10W	1	
R6829, 30	ERJ6GEYG104	M 100KOHM, J, 1/10W	2	
R6831	ERJ6GEYG153	M 15KOHM, J, 1/10W	1	
R6832	D0GF4R7JA047	M 4.7 OHM, J, 0.33W	1	
R6833-36	ERJ6ENF7502	M 75KOHM, 1/10W	4	
R6837	ERJ6ENF5602	M 56KOHM, 1/10W	1	
R6839	ERJ6GEYF472	M 4.7KOHM, J, 1/10W	1	
R6840	ERX12SJ1R5	M 1.5 OHM, J, 1/2W	1	
R6841	ERJ12YJ153U	M 15KOHM, 1/2W	1	
R6842	ERJ12YJ433U	M 43KOHM, 1/2W	1	
R6843	ERJ6GEYJ623	M 62KOHM, J, 1/10W	1	
R6844	D0D2101JA021	M 100 OHM, J, 2W	1	
R6845-47	ERJ6GEYJ623	M 62KOHM, J, 1/10W	3	

Ref. No.	Part No.	Part Name & Description	Pcs	Remarks
R6848	ERJ6GEYG103	M 10KOHM, J, 1/10W	1	
R6849, 50	ERJ6ENF6802	M 68KOHM, 1/10W	2	
R6851	ERJ6ENF1802	M 18KOHM, 1/10W	1	
R6852	ERJ6ENF2701	M 2.7KOHM, 1/10W	1	
R6853	ERJ6GEYJ101V	M 100 OHM, J, 1/10W	1	
R6855	ERJ12YJ103	M 10KOHM, J, 1/2W	1	
R6856	ERQ12AJW560E	F 56 OHM, J, 1/2W	1	
R6857	ERJ12YJ124U	M 120KOHM, 1/2W	1	
R6860	D0D28R2JA021	M 8.2 OHM, J, 2W	1	
R6861, 62	ERJ6ENF5102	M 51KOHM, 1/10W	2	
R6863	ERJ6ENF5602	M 56KOHM, 1/10W	1	
R6864	ERJ6ENF6801	M 6.8KOHM, 1/10W	1	
R6865	ERJ6ENF3301	M 3.3KOHM, 1/10W	1	
R6866	ERJ6ENF6200	M 620 OHM, 1/10W	1	
R6867	ERJ6GEYG392	M 3.9KOHM, J, 1/10W	1	
R6868	ERJ6GEYJ223	M 22KOHM, J, 1/10W	1	
R6869	ERJ6GEYF472	M 4.7KOHM, J, 1/10W	1	
R6871-73	ERJ6ENF3902	M 39KOHM, 1/10W	3	
R6874	ERJ6ENF6801	M 6.8KOHM, 1/10W	1	
R6875	ERJ6ENF3301	M 3.3KOHM, 1/10W	1	
R6876	ERJ6RBD561	M 560 OHM, 1/10W	1	
R6877	ERJ6GEYG392	M 3.9KOHM, J, 1/10W	1	
R6878	ERJ6GEYJ223	M 22KOHM, J, 1/10W	1	
R6879	ERJ6GEYF472	M 4.7KOHM, J, 1/10W	1	
R6886-88	ERJ6GEYJ224	M 220KOHM, J, 1/10W	3	
R6891	ERJ6GEYG183	M 18KOHM, J, 1/10W	1	
R6901	ERJ6GEYJ101V	M 100 OHM, J, 1/10W	1	
R6902-04	ERJ3GEYJ220	M 22 OHM, J, 1/16W	3	
R6905	ERJ6GEYG221	M 220 OHM, J, 1/10W	1	
R6909	ERJ6GEYG221	M 220 OHM, J, 1/10W	1	
R6913	ERJ6GEYG221	M 220 OHM, J, 1/10W	1	
R6917	ERJ6GEYG221	M 220 OHM, J, 1/10W	1	
R6924	ERJ6GEYG221	M 220 OHM, J, 1/10W	1	
R6925, 26	J0JCC0000100	CHIP INDUCTOR	2	
R6931-34	ERJ6GEYG103	M 10KOHM, J, 1/10W	4	
R6935, 36	ERJ8GEYJ224	M 220KOHM, J, 1/8W	2	
R6938	ERJ6GEYG103	M 10KOHM, J, 1/10W	1	
R6951	ERJ6GEYJ101V	M 100 OHM, J, 1/10W	1	
R6952-54	ERJ3GEYJ220	M 22 OHM, J, 1/16W	3	
R6955	ERJ6GEYG221	M 220 OHM, J, 1/10W	1	
R6959	ERJ6GEYG221	M 220 OHM, J, 1/10W	1	
R6963	ERJ6GEYG221	M 220 OHM, J, 1/10W	1	
R6967	ERJ6GEYG221	M 220 OHM, J, 1/10W	1	
R6971	ERJ6GEYG221	M 220 OHM, J, 1/10W	1	
R6975, 76	J0JCC0000100	CHIP INDUCTOR	2	
R6981-84	ERJ6GEYG103	M 10KOHM, J, 1/10W	4	
R6985, 86	ERJ8GEYJ224	M 220KOHM, J, 1/8W	2	
R6989	ERJ6GEYG103	M 10KOHM, J, 1/10W	1	
R7112	D0GF472JA047	M 4.7KOHM, J, 0.33W	1	
R7119	EXB38V220JV	RESISTOR ARRAY	1	
R7122-25	D0GZ6R8JA020	M 6.8 OHM, J, 0.5W	4	
R7126	ERJ6GEYJ224	M 220KOHM, J, 1/10W	1	
R7130-36	EXB38V471J	RESISTOR ARRAY	7	
R7142-45	D0GZ6R8JA020	M 6.8 OHM, J, 0.5W	4	

Ref. No.	Part No.	Part Name & Description	Pcs	Remarks
R7151-54	D0GZ6R8JA020	M 6.8 OHM, J, 0.5W	4	
R7155	EXB38V102J	RESISTOR ARRAY	1	
R7159	EXB38V470J	RESISTOR ARRAY	1	
R7162	EXB38V471J	RESISTOR ARRAY	1	
R7171-74	D0GZ6R8JA020	M 6.8 OHM, J, 0.5W	4	
R7177	EXB38V102J	RESISTOR ARRAY	1	
R7180	ERJ3GEYJ470	M 47 OHM, J, 1/16W	1	
R7184	EXB38V220JV	RESISTOR ARRAY	1	
R7185	D0GB102JA057	M 1KOHM, J, 1/16W	1	
R7186	J0JCC0000100	CHIP INDUCTOR	1	
R7212-15	D0GZ6R8JA020	M 6.8 OHM, J, 0.5W	4	
R7219	ERJ6GEYJ224	M 220KOHM, J, 1/10W	1	
R7223-26	D0GZ6R8JA020	M 6.8 OHM, J, 0.5W	4	
R7229	ERJ6GEY0R00V	M 0 OHM, 1/10W	1	
R7232-35	D0GZ6R8JA020	M 6.8 OHM, J, 0.5W	4	
R7238	EXB38V471J	RESISTOR ARRAY	1	
R7245	EXB38V102J	RESISTOR ARRAY	1	
R7249	EXB38V220JV	RESISTOR ARRAY	1	
R7250	EXB38V470J	RESISTOR ARRAY	1	
R7257	ERJ3GEYJ470	M 47 OHM, J, 1/16W	1	
R7258	EXB38V102J	RESISTOR ARRAY	1	
R7262-65	D0GZ6R8JA020	M 6.8 OHM, J, 0.5W	4	
R7269	D0GF472JA047	M 4.7KOHM, J, 0.33W	1	
R7273-79	EXB38V471J	RESISTOR ARRAY	7	
R7280	D0GB102JA057	M 1KOHM, J, 1/16W	1	
R7281	ERJ6GEYG102	M 1KOHM, J, 1/10W	1	
R7285	EXB38V220JV	RESISTOR ARRAY	1	
R7286	J0JCC0000100	CHIP INDUCTOR	1	
R7288, 89	EXB38V222J	RESISTOR ARRAY	2	
R7290, 91	EXB38V470J	RESISTOR ARRAY	2	
R7701	ERJ3GEYJ680	M 68 OHM, J, 1/16W	1	
R7702	J0JCC0000100	CHIP INDUCTOR	1	
R7703-05	ERJ3GEYJ680	M 68 OHM, J, 1/16W	3	
R7708	J0JCC0000100	CHIP INDUCTOR	1	
R7709	ERJ3GEYJ680	M 68 OHM, J, 1/16W	1	
R7710	ERJ3GEYJ101	M 100 OHM, J, 1/16W	1	
R7713	J0JCC0000100	CHIP INDUCTOR	1	
R7716	J0JCC0000100	CHIP INDUCTOR	1	
R7731	J0JCC0000100	CHIP INDUCTOR	1	
R7791-96	J0JCC0000100	CHIP INDUCTOR	6	
R8001	ERJ2GEJ181	M 180 OHM, J, 0.063W	1	
R8002	ERJ2GEJ820	M 82 OHM, J, 0.063W	1	
R8003	J0JCC0000100	CHIP INDUCTOR	1	
R8004	ERJ3EKF2402	M 24KOHM, 1/16W	1	
R8005	ERJ3EKF1002	M 10KOHM, 1/16W	1	
R8006	ERJ3EKF6801	M 6.8KOHM, 1/16W	1	
R8030	ERJ2GEJ101	M 100 OHM, J, 0.063W	1	
R8031, 32	ERJ3EKF2700	M 270 OHM, 1/16W	2	
R8035	D0YAR0000007	M 0.0 OHM, J, 0.063W	1	
R8056-73	ERJ2GEJ470	M 47 OHM, J, 0.063W	18	
R8074	ERJ2GEJ221	M 220 OHM, J, 0.063W	1	
R8075-78	ERJ2GEJ470	M 47 OHM, J, 0.063W	4	
R8081	ERJ2GEJ103	M 10KOHM, J, 0.063W	1	
R8082	D1BA75R0A026	M 0.75KOHM, 1/10W	1	
R8083	ERJ2GEJ301	M 300 OHM, J, 0.063W	1	
R8086	ERJ2GEJ104	M 100KOHM, J, 0.063W	1	
R8087	ERJ2GEJ103	M 10KOHM, J, 0.063W	1	

Ref. No.	Part No.	Part Name & Description	Pcs	Remarks
R8090	ERJ2GEJ103	M 10KOHM, J, 0.063W	1	
R8091	ERJ2GEJ470	M 47 OHM, J, 0.063W	1	
R8093	ERJ2GEJ470	M 47 OHM, J, 0.063W	1	
R8094	ERJ2GEJ103	M 10KOHM, J, 0.063W	1	
R8097	ERJ2GEJ221	M 220 OHM, J, 0.063W	1	
R8098, 99	ERJ2GEJ103	M 10KOHM, J, 0.063W	2	
R8100	ERJ2GEJ470	M 47 OHM, J, 0.063W	1	
R8101	ERJ2GEJ103	M 10KOHM, J, 0.063W	1	
R8106	ERJ2GEJ202	M 2KOHM, J, 0.063W	1	
R8107	ERJ2GEJ101	M 100 OHM, J, 0.063W	1	
R8307, 08	ERJ2GEJ470	M 47 OHM, J, 0.063W	2	
R8309	D0YAR0000007	M 0.0 OHM, J, 0.063W	1	
R8312	ERJ2RHD682X	M 22KOHM, J, 2W	1	
R8313, 14	D0YAR0000007	M 0.0 OHM, J, 0.063W	2	
R8315	ERJ2RHD682X	M 22KOHM, J, 2W	1	
R8318, 19	ERJ2GEJ101	M 100 OHM, J, 0.063W	2	
R8327, 28	ERJ2RHD682X	M 22KOHM, J, 2W	2	
R8330, 31	D0YAR0000007	M 0.0 OHM, J, 0.063W	2	
R8332	ERJ2GEJ221	M 220 OHM, J, 0.063W	1	
R8334	D0YAR0000007	M 0.0 OHM, J, 0.063W	1	
R8335	ERJ2GEJ221	M 220 OHM, J, 0.063W	1	
R8337	ERJ6GEYG102	M 1KOHM, J, 1/10W	1	
R8338	ERJ3EKF1202	M 12KOHM, 1/16W	1	
R8340	ERJ2GEJ103	M 10KOHM, J, 0.063W	1	
R8343, 44	ERJ2GEJ103	M 10KOHM, J, 0.063W	2	
R8346	ERJ2GEJ103	M 10KOHM, J, 0.063W	1	
R8348	ERJ2GEJ103	M 10KOHM, J, 0.063W	1	
R8349, 50	ERJ2GEJ332	M 3.3KOHM, J, 0.063W	2	
R8351-56	ERJ2GEJ103	M 10KOHM, J, 0.063W	6	
R8357	ERJ2GEJ220	M 22 OHM, J, 0.063W	1	
R8358	ERJ2GEJ103	M 10KOHM, J, 0.063W	1	
R8362-64	ERJ2GEJ103	M 10KOHM, J, 0.063W	3	
R8366	ERJ2GEJ103	M 10KOHM, J, 0.063W	1	
R8367	D0YAR0000007	M 0.0 OHM, J, 0.063W	1	
R8369	D0YAR0000007	M 0.0 OHM, J, 0.063W	1	
R8370	ERJ2GEJ103	M 10KOHM, J, 0.063W	1	
R8372	ERJ2GEJ103	M 10KOHM, J, 0.063W	1	
R8373	D0YAR0000007	M 0.0 OHM, J, 0.063W	1	
R8379	ERJ2GEJ101	M 100 OHM, J, 0.063W	1	
R8380-83	ERJ2GEJ470	M 47 OHM, J, 0.063W	4	
R8395	D0YAR0000007	M 0.0 OHM, J, 0.063W	1	
R8500-02	ERJ2RKD330	M 33 OHM, J, 0.063W	3	

Ref. No.	Part No.	Part Name & Description	Pcs	Remarks
R8504	ERJ2GEJ103	M 10KOHM, J,0.063W	1	
R8505	D0YAR0000007	M 0.0 OHM, J,0.063W	1	
R8512	ERJ2GEJ103	M 10KOHM, J,0.063W	1	
R8517-20	ERJ2RKD330	M 33 OHM, J,0.063W	4	
R8522	ERJ2GEJ101	M 100 OHM, J,0.063W	1	
R8523	ERJ3EKF1800	M 180 OHM, 1/16W	1	
R8524, 25	D0YAR0000007	M 0.0 OHM, J,0.063W	2	
R8526	ERJ3EKF2701	M 2.7KOHM, 1/16W	1	
R8527	D0YAR0000007	M 0.0 OHM, J,0.063W	1	
R8528-32	ERJ2GEJ560	M 56 OHM, J,0.063W	5	
R8538-45	ERJ2GEJ220	M 22 OHM, J,0.063W	8	
R8546-48	ERJ2GEJ332	M 3.3KOHM, J,0.063W	3	
R8550	ERJ2GEJ332	M 3.3KOHM, J,0.063W	1	
R8552, 53	ERJ2GEJ182	M 1.8KOHM, J,0.063W	2	
R8554, 55	ERJ2GEJ220	M 22 OHM, J,0.063W	2	
R8556	ERJ2GEJ103	M 10KOHM, J,0.063W	1	
R8557, 58	ERJ2GEJ332	M 3.3KOHM, J,0.063W	2	
R8559	ERJ2GEJ560	M 56 OHM, J,0.063W	1	
R8560	D0YAR0000007	M 0.0 OHM, J,0.063W	1	
R8561	ERJ2RKD330	M 33 OHM, J,0.063W	1	
R8562, 63	ERJ2GEJ103	M 10KOHM, J,0.063W	2	
R8565	ERJ2GEJ103	M 10KOHM, J,0.063W	1	
R8566	EXB28V103JX	RESISTOR ARRAY	1	
R8568	EXB28VR000X	RESISTOR ARRAY	1	
R8570	ERJ2RKD330	M 33 OHM, J,0.063W	1	
R8573	EXB28V680JX	RESISTOR ARRAY	1	
R8574	ERJ2GEJ680	M 68 OHM, J,0.063W	1	
R8575	ERJ2GEJ560	M 56 OHM, J,0.063W	1	
R8584, 85	ERJ2RKD330	M 33 OHM, J,0.063W	2	
R8591	ERJ2RKD330	M 33 OHM, J,0.063W	1	
R8604	ERJ2GEJ103	M 10KOHM, J,0.063W	1	
R8661	ERJ2GEJ103	M 10KOHM, J,0.063W	1	
R8663	ERJ2GEJ103	M 10KOHM, J,0.063W	1	
R8664	ERJ2RKD330	M 33 OHM, J,0.063W	1	
R8693	ERJ2GEJ473	M 47KOHM, J,0.063W	1	
R8721, 22	ERJ2GEJ560	M 56 OHM, J,0.063W	2	
R8729	ERJ2GEJ473	M 47KOHM, J,0.063W	1	
R8764, 65	ERJ3EKF75R0	M 0.75HM, 1/16W	2	
R8766	ERJ2GEJ101	M 100 OHM, J,0.063W	1	
R8767	ERJ3EKF75R0	M 0.75HM, 1/16W	1	
R8770	ERJ2GEJ103	M 10KOHM, J,0.063W	1	
R8772	ERJ2GEJ103	M 10KOHM, J,0.063W	1	
R8787	ERJ2GEJ473	M 47KOHM, J,0.063W	1	

Ref. No.	Part No.	Part Name & Description	Pcs	Remarks
R8792	ERJ2GEJ473	M 47KOHM, J,0.063W	1	
R8796	ERJ2GEJ473	M 47KOHM, J,0.063W	1	
R8844	ERJ2GEJ473	M 47KOHM, J,0.063W	1	
R8850	ERJ2GEJ560	M 56 OHM, J,0.063W	1	
R8864	D0YAR0000007	M 0.0 OHM, J,0.063W	1	
R8865	ERJ2GEJ560	M 56 OHM, J,0.063W	1	
R8866	ERJ3EKF91R0	M 91 OHM, 1/16W	1	
R8875	ERJ2GEJ473	M 47KOHM, J,0.063W	1	
R8876-78	D0YAR0000007	M 0.0 OHM, J,0.063W	3	
R8900	D0YAR0000007	M 0.0 OHM, J,0.063W	1	
R8903, 04	ERJ2GEJ473	M 47KOHM, J,0.063W	2	
R9062-67	ERJ3GEYJ101	M 100 OHM, J,1/16W	6	
R9070	ERJ3GEYJ470	M 47 OHM, J,1/16W	1	
R9099	D0GB103JA057	M 10KOHM, J,1/16W	1	
R9101, 02	D0GB103JA057	M 10KOHM, J,1/16W	2	
R9104, 05	D0GB103JA057	M 10KOHM, J,1/16W	2	
R9107	ERJ3GEYJ332	M 3.3KOHM, J,1/16W	1	
R9108, 09	D0GB103JA057	M 10KOHM, J,1/16W	2	
R9110	ERJ3GEYJ101	M 100 OHM, J,1/16W	1	
R9112	D0GB103JA057	M 10KOHM, J,1/16W	1	
R9113	ERJ3GEYJ100	M 10 OHM, J,1/16W	1	
R9115, 16	ERJ3GEYJ101	M 100 OHM, J,1/16W	2	
R9119	EXB38V470J	RESISTOR ARRAY	1	
R9120	ERJ3GEYJ101	M 100 OHM, J,1/16W	1	
R9121	ERJ3GEYJ104	M 100KOHM, J,1/16W	1	
R9122, 23	D0GB103JA057	M 10KOHM, J,1/16W	2	
R9126	D0GB103JA057	M 10KOHM, J,1/16W	1	
R9127	ERJ3GEYJ683	M 68KOHM, J,1/16W	1	
R9129	ERJ3GEYJ683	M 68KOHM, J,1/16W	1	
R9131-33	ERJ3GEYJ472	M 4.7KOHM, J,1/16W	3	
R9134	ERJ3GEYJ333	M 33KOHM, J,1/16W	1	
R9135	ERJ3GEYJ472	M 4.7KOHM, J,1/16W	1	
R9141-45	ERJ3GEYJ101	M 100 OHM, J,1/16W	5	
R9149	ERJ3GEYJ472	M 4.7KOHM, J,1/16W	1	
R9150, 51	ERJ3GEYJ220	M 22 OHM, J,1/16W	2	
R9154, 55	ERJ3GEYJ562	M 5.6KOHM, J,1/16W	2	
R9156	D0GB103JA057	M 10KOHM, J,1/16W	1	
R9158, 59	D0GB103JA057	M 10KOHM, J,1/16W	2	
R9160, 61	J0JCC0000100	CHIP INDUCTOR	2	
R9164, 65	ERJ3GEYJ222	M 2.2KOHM, J,1/16W	2	
R9166	D0GB103JA057	M 10KOHM, J,1/16W	1	
R9167	ERJ3GEYJ101	M 100 OHM, J,1/16W	1	
R9170-72	D0GB393JA041	M 39KOHM, J,1/16W	3	
R9173, 74	D0GB103JA057	M 10KOHM, J,1/16W	2	
R9177	ERJ3GEYJ223	M 22KOHM, J,1/16W	1	
R9181-84	D0GB102JA057	M 1KOHM, J,1/16W	4	
R9185, 86	ERJ3GEYJ220	M 22 OHM, J,1/16W	2	
R9187, 88	ERJ3GEYJ562	M 5.6KOHM, J,1/16W	2	
R9189, 90	D0GB103JA057	M 10KOHM, J,1/16W	2	
R9193	D0GB103JA057	M 10KOHM, J,1/16W	1	
R9194	J0JCC0000100	CHIP INDUCTOR	1	
R9196	D0GB103JA057	M 10KOHM, J,1/16W	1	
R9199	ERJ3GEYJ272	M 2.7KOHM, J,1/16W	1	

Ref. No.	Part No.	Part Name & Description	Pcs	Remarks
R9200,01	ERJ3GEYJ100	M 10 OHM,J,1/16W	2	
R9203	D0GB102JA057	M 1KOHM,J,1/16W	1	
R9205	ERJ3GEYJ472	M 4.7KOHM,J,1/16W	1	
R9206,07	D0GB102JA057	M 1KOHM,J,1/16W	2	
R9215	D0GB123JA057	M 12KOHM,J,1/16W	1	
R9217-22	D0GB103JA057	M 10KOHM,J,1/16W	6	
R9223	ERJ3GEYJ272	M 2.7KOHM,J,1/16W	1	
R9225	ERJ3GEYJ272	M 2.7KOHM,J,1/16W	1	
R9237	D0GB103JA057	M 10KOHM,J,1/16W	1	
R9240	J0JCC0000100	CHIP INDUCTOR	1	
R9317	ERJ3GEYJ391	M 390 OHM,J,1/16W	1	
R9347,48	EXB2HV220JV	RESISTOR ARRAY	2	
R9349	EXB2HV470JV	RESISTOR ARRAY	1	
R9350,51	ERJ3GEYJ220	M 22 OHM,J,1/16W	2	
R9352	EXB2HV220JV	RESISTOR ARRAY	1	
R9354-56	EXB2HV220JV	RESISTOR ARRAY	3	
R9361,62	ERJ3GEYJ220	M 22 OHM,J,1/16W	2	
R9363	EXB2HV470JV	RESISTOR ARRAY	1	
R9369	ERJ3GEYJ472	M 4.7KOHM,J,1/16W	1	
R9370	D0GB103JA057	M 10KOHM,J,1/16W	1	
R9371	ERJ3GEYJ104	M 100KOHM,J,1/16W	1	
R9379	J0JCC0000100	CHIP INDUCTOR	1	
R9380	ERJ3GEYJ560	M 56 OHM,J,1/16W	1	
R9383	D0GB102JA057	M 1KOHM,J,1/16W	1	
R9384,85	ERJ3GEYJ472	M 4.7KOHM,J,1/16W	2	
R9391	ERJ3GEYJ104	M 100KOHM,J,1/16W	1	
R9392,93	J0JCC0000100	CHIP INDUCTOR	2	
R9396-99	ERJ3GEYJ220	M 22 OHM,J,1/16W	4	
R9402	ERJ6GEY0R00V	M 0 OHM, 1/10W	1	
R9403	EXB2HV470JV	RESISTOR ARRAY	1	
R9500	D0GB103JA057	M 10KOHM,J,1/16W	1	
R9502	D0GB103JA057	M 10KOHM,J,1/16W	1	
R9503	ERJ3GEYJ470	M 47 OHM,J,1/16W	1	
R9506	ERJ3GEYJ220	M 22 OHM,J,1/16W	1	
R9507	J0JCC0000100	CHIP INDUCTOR	1	
R9511-13	ERJ3GEYJ470	M 47 OHM,J,1/16W	3	
R9516	D0GB103JA057	M 10KOHM,J,1/16W	1	
R9518	J0JCC0000100	CHIP INDUCTOR	1	
R9523	ERJ3GEYJ472	M 4.7KOHM,J,1/16W	1	
R9525	D0GB103JA057	M 10KOHM,J,1/16W	1	
R9526	J0JCC0000100	CHIP INDUCTOR	1	
R9530	D0GB103JA057	M 10KOHM,J,1/16W	1	
R9531-33	ERJ3GEYJ470	M 47 OHM,J,1/16W	3	
R9534	EXB38V470J	RESISTOR ARRAY	1	
R9535,36	ERJ3GEYJ470	M 47 OHM,J,1/16W	2	
R9538,39	D0GB103JA057	M 10KOHM,J,1/16W	2	
R9541	D0GB103JA057	M 10KOHM,J,1/16W	1	
R9543,44	D0GB103JA057	M 10KOHM,J,1/16W	2	
R9545	ERJ3GEYJ304	M 300KOHM,J,1/16W	1	
R9548-50	D0GB103JA057	M 10KOHM,J,1/16W	3	
R9552	D0GB103JA057	M 10KOHM,J,1/16W	1	
R9553,54	J0JCC0000100	CHIP INDUCTOR	2	
R9557,58	J0JCC0000100	CHIP INDUCTOR	2	
R9561	EXB38V222J	RESISTOR ARRAY	1	
R9562	ERJ3GEYJ470	M 47 OHM,J,1/16W	1	
R9563-66	EXB2HV470JV	RESISTOR ARRAY	4	
R9567	D0GB103JA057	M 10KOHM,J,1/16W	1	
R9569	J0JCC0000100	CHIP INDUCTOR	1	
R9824-27	ERJ3GEYJ101	M 100 OHM,J,1/16W	4	
R9828	ERJ3GEYJ104	M 100KOHM,J,1/16W	1	
R9839	EXB38V101JV	RESISTOR ARRAY	1	
R9840	ERJ3GEYJ220	M 22 OHM,J,1/16W	1	
R9845	D0GB103JA057	M 10KOHM,J,1/16W	1	

Ref. No.	Part No.	Part Name & Description	Pcs	Remarks
R9846,47	EXB2HV222JV	RESISTOR ARRAY	2	
R9848,49	EXB2HV470JV	RESISTOR ARRAY	2	
R9850	D0GB473JA057	M 47KOHM,J,1/16W	1	
R9854	ERJ3GEYJ101	M 100 OHM,J,1/16W	1	
R9859	EXB38V101JV	RESISTOR ARRAY	1	
R9861-63	D0GB103JA057	M 10KOHM,J,1/16W	3	
R9868	ERJ3GEYJ104	M 100KOHM,J,1/16W	1	
R9869-71	D0GB103JA057	M 10KOHM,J,1/16W	3	
R9872	J0JCC0000100	CHIP INDUCTOR	1	
R9874	J0JCC0000100	CHIP INDUCTOR	1	
R9878	ERJ3EKF1102	M 11KOHM, 1/16W	1	
R9879	ERJ3EKF1302	M 13KOHM, 1/16W	1	
R9886,87	ERJ3EKF5602	M 56KOHM, 1/16W	2	
R9888	ERJ3EKF1102	M 11KOHM, 1/16W	1	
R9889	ERJ3EKF1742	M17.2KOHM, 1/16W	1	
R9890	ERJ3EKF4752	M47.5KOHM, 1/16W	1	
R9891	ERJ3EKF1272	M12.7KOHM, 1/16W	1	
R9892	ERJ3GEYJ104	M 100KOHM,J,1/16W	1	
R9893	ERJ3EKF5602	M 56KOHM, 1/16W	1	
R9894	ERJ3EKF1102	M 11KOHM, 1/16W	1	
R9895	ERJ3GEYJ104	M 100KOHM,J,1/16W	1	
R9896	ERJ3EKF1822	M18.2KOHM, 1/16W	1	
R9897	ERJ3EKF4752	M47.5KOHM, 1/16W	1	
R9901,02	J0JCC0000100	CHIP INDUCTOR	2	
R9903	EXB2HV470JV	RESISTOR ARRAY	1	
R9904	ERJ3GEYJ470	M 47 OHM,J,1/16W	1	
R9905	ERJ3GEYJ330	M 33 OHM,J,1/16W	1	
R9906	EXB38V470J	RESISTOR ARRAY	1	
R9907	D0GB151JA057	M 150 OHM,J,1/16W	1	
R9908-11	J0JCC0000100	CHIP INDUCTOR	4	
R9912	D0GB103JA057	M 10KOHM,J,1/16W	1	
R9915-18	J0JCC0000100	CHIP INDUCTOR	4	
R9919	D0GB102JA057	M 1KOHM,J,1/16W	1	
R9922	J0JCC0000100	CHIP INDUCTOR	1	
R9928,29	J0JCC0000100	CHIP INDUCTOR	2	
R9936-39	ERJ3EKF1001	M 1KOHM, 1/16W	4	
R9940	ERJ3GEYJ330	M 33 OHM,J,1/16W	1	
R9941,42	ERJ3GEYJ470	M 47 OHM,J,1/16W	2	
R9943-51	EXB38V470J	RESISTOR ARRAY	9	
R9952-55	ERJ3GEYJ470	M 47 OHM,J,1/16W	4	
R9956	D0GB103JA057	M 10KOHM,J,1/16W	1	
R9960	J0JCC0000100	CHIP INDUCTOR	1	
R9961	D0GB103JA057	M 10KOHM,J,1/16W	1	
RM2501	PNA4701M05TV	REMOCON RECEIVER	1	
S2	K1KA02BA0061	2P CONNECTOR	1	
SC2	K1KA02A00626	2P CONNECTOR	1	
SC20	K1KY30AA0369	30P CONNECTOR	1	
SC30	K1KA10AA0191	10P CONNECTOR	1	
SC41,42	K1ML80B00001	80P CONNECTOR	2	
SC45,46	K1KA09A00239	9P CONNECTOR	2	
SCMM1,M2	TMME260	CLAMPER	2	
SD1-D4	K1MN96B00005	96P CONNECTOR	4	
SD46	K1KB09AA0213	9P CONNECTOR	1	
SS11	K1KA02A00626	2P CONNECTOR	1	
SS12	K1KA10AA0194	10P CONNECTOR	1	
SS23	K1KA12AA0194	12P CONNECTOR	1	
SS34	K1KA03AA0193	3P CONNECTOR	1	
SS53A-6A	K1MN13BA0258	13P CONNECTOR	4	
SU1-U4	K1MN96B00005	96P CONNECTOR	4	
SU45	K1KB09AA0213	9P CONNECTOR	1	

Ref. No.	Part No.	Part Name & Description	Pcs	Remarks
SW2500	K0F122A00172	SWITCREMOTE CONTROLH	1	
SW3754-58	EVQPC105K	SWITCH	5	
T6602	ETS25AZ169AD	SWITCHING TRANS	1	
TU8300	ENGE6602KF	TUNER	1	PAVCA Δ
VR6000	EVMEASA00B14	CONTROL 10KOHMB 0.3W	1	
VR6600	EVMEASA00B13	CONTROL 1KOHMB 0.3W	1	
VR6602	EVMEASA00B53	CONTROL 5KOHMB 0.3W	1	
X1100	H0J100500035	CRYSTAL	1	
X2010	H0J245500082	CRYSTAL	1	
X4500	H0J270500113	CRYSTAL	1	
X8001	H0J270500061	CRYSTAL	1	
X8300	H0J250500079	CRYSTAL	1	PAVCA
X9000	H2D100500004	CRYSTAL	1	
X9200	H0J200500038	CRYSTAL	1	
ZA6001,02	K4CD01000011	AV TERMINAL	2	
ZA6005	K4CD01000011	AV TERMINAL	1	
ZA6401-03	K4CD01000011	AV TERMINAL	3	
ZA7101-04	K4AD01200001	TERMINAL	4	
ZA7201-04	K4AD01200001	TERMINAL	4	
ZA9001	K4CD01000011	AV TERMINAL	1	
C404	F0CZ2445A097	E 0.044UF, 200V	1	
C406	F1E2J4730001	C 0.047PF, 600V	1	
C407	F2B2W220A032	C 22UF, 450V	1	Δ
C408	ECJ1VB1H102K	C 1000PF, K, 50V	1	
C410	F1J1E105A080	E 1 UF 25V	1	
C413	ECJ1VB1E104K	C 0.10UF, K, 25V	1	
C420	F1J1E105A080	E 1 UF 25V	1	
C421	ECJ1VB1E104K	C 0.10UF, K, 25V	1	
C423	ECJ1VB1H472K	C 4700PF, K, 50V	1	
C425	F1J1E105A080	E 1 UF 25V	1	
C426	ECJ1VC1H471J	C 470PF, J, 50V	1	
C427	F1H1C105A071	C 1UF, K, 16V	1	
C428	ECJ1XC1H221J	C 220PF, J, 50V	1	
C429	F1E2J4730001	C 0.047PF, 600V	1	
C431	ECJ1VB1H102K	C 1000PF, K, 50V	1	
C432,33	F1H1C105A071	C 1UF, K, 16V	2	
C435	ECJ1XC1H101J	C 100PF, J, 50V	1	
C436	F1H1C105A071	C 1UF, K, 16V	1	
C437	ECJ1VB1H103K	C 0.001UF, K, 50V	1	
C443,44	ECKD3A102KBP	C 1000PF, K, 1KV	2	
C445	F1H1C105A071	C 1UF, K, 16V	1	
C446	F2B2W3910010	C 390UF, 450V	1	Δ
C450	ECJ1VB1H103K	C 0.001UF, K, 50V	1	
C451	ECKD3A101KBP	C 100PF, K, 1KV	1	
C457	ECWH12333RHV	P 0.013UF, J, 1.2KV	1	
C462	F1J1E105A080	E 1 UF 25V	1	
C463	F1H1H2200008	E 22UF, 50V	1	
C467	F1BAF221A107	C 220UF, 250V	1	Δ
C468	ECJ1VB1H103K	C 0.001UF, K, 50V	1	
C469	F1BAF221A107	C 220UF, 250V	1	Δ
C470	F0CAF335A080	C 0.033UF, 250V	1	Δ
C472	F1BAF221A107	C 220UF, 250V	1	Δ
C474,75	F1BAF221A107	C 220UF, 250V	2	Δ
C478	F1BAF221A107	C 220UF, 250V	1	Δ
C492	ECA1HM100	E 10UF, 50V	1	
C493	ECA1HM470	E 47UF, 50V	1	
C493	F2A1H4700057	E 47UF, 50V	1	
C497	F2A1H4700057	E 47UF, 50V	1	

Ref. No.	Part No.	Part Name & Description	Pcs	Remarks
C501,02	ECJ1VB1H103K	C 0.001UF, K, 50V	2	
C504	F1H1C105A071	C 1UF, K, 16V	1	
C505	ECJ1VB1H102K	C 1000PF, K, 50V	1	
C506	ECJ1VB1H103K	C 0.001UF, K, 50V	1	
C507	ECJ1VB1E104K	C 0.10UF, K, 25V	1	
C509	ECA1EHG101	E 100UF, 25V	1	
C511	ECJ1VB1H102K	C 1000PF, K, 50V	1	
C515	F2A1A1220015	E 1200UF, 10V	1	
C516	ECJ1VB1C474K	C 0.47UF, K, 16V	1	
C517	F2A1E221A096	E 220UF, 25V	1	
C518,19	F1H1C105A071	C 1UF, K, 16V	2	
C520	F0C2E683A160	E 0.068UF, 250V	1	
C521	ECJ1VB1H103K	C 0.001UF, K, 50V	1	
C522	F1E2E1030002	C 0.010PF, 600V	1	
C523	F1J1E105A080	E 1 UF 25V	1	
C526	ECJ1VB1H223K	C 0.22UF, K, 50V	1	
C528	ECJ1VB1H102K	C 1000PF, K, 50V	1	
C529	ECJ2FB1C475K	C 47UF, K, 16V	1	
C530	ECJ1VB1E333K	C 0.033UF, K, 25V	1	
C531	ECJ1VB1E104K	C 0.10UF, K, 25V	1	
C534	F1H1H471A792	E 470UF, 50V	1	
C546,47	ECJ1VB1H102K	C 1000PF, K, 50V	2	
C552	ECJ1VB1E104K	C 0.10UF, K, 25V	1	
C554	F1H1C105A071	C 1UF, K, 16V	1	
C555	F2A2C4710003	E 470UF, 160V	1	Δ
C556	F2A1E3320039	E 3300PF, 25V	1	
C558	F2A1E4710065	E 470UF, 25V	1	
C559	F2A1A1020084	E 1000UF, 10V	1	
C562	F1H1H223A219	E 0.022UF, 50V	1	
C571	ECJ1VC1H330J	C 33PF, J, 50V	1	
C574	ECJ1VB1E104K	C 0.10UF, K, 25V	1	
C577	F2A2A330A022	E 33UF, 100V	1	Δ
C581	ECJ2VB1H223K	C 0.022UF, K, 50V	1	
C583	ECJ1VB1H102K	C 1000PF, K, 50V	1	
C584	ECJ2VB1H223K	C 0.022UF, K, 50V	1	
C585	F1H1H223A219	E 0.022UF, 50V	1	
C587	ECJ1VB1H332K	C 3300PF, K, 50V	1	
C590	ECJ1XB1H104K	C 10PF, J, 50V	1	
C601	ECJ1VB1H103K	C 0.001UF, K, 50V	1	
C603	F1J1E105A080	E 1 UF 25V	1	
C604,05	F2A2D1510008	E 150UF, 200V	2	Δ
C607	F1H1C105A071	C 1UF, K, 16V	1	
C610	F1J1E105A080	E 1 UF 25V	1	
C611	F2B2T1420003	E 142UF, 220V	1	Δ
C612	ECJ1VB1H103K	C 0.001UF, K, 50V	1	
C616	ECKD3A102KBP	C 1000PF, K, 1KV	1	
C619	F1H1C105A071	C 1UF, K, 16V	1	
C620	F1J1E105A080	E 1 UF 25V	1	
C623	ECA1HM100	E 10UF, 50V	1	
C624	ECJ1VB1H103K	C 0.001UF, K, 50V	1	
C625	F2A1H1000083	E 10UF, 50V	1	
C626	ECJ1VB1H103K	C 0.001UF, K, 50V	1	
C627	ECJ1VB1H102K	C 1000PF, K, 50V	1	
C630,31	ECJ1VB1H103K	C 0.001UF, K, 50V	2	
C632	ECJ2XC1H330J	C 33PF, J, 50V	1	
C639	ECJ1VB1H103K	C 0.001UF, K, 50V	1	
C640	ECJ1VC1H330J	C 33PF, J, 50V	1	
C641	ECJ1VB1H102K	C 1000PF, K, 50V	1	
C650,51	ECJ1VB1E104K	C 0.10UF, K, 25V	2	
C653	ECJ1VB1H102K	C 1000PF, K, 50V	1	
C657	ECJ1VB1H102K	C 1000PF, K, 50V	1	
C658	F1J1E105A080	E 1 UF 25V	1	
C660	ECJ2FB1C225K	C 22UF, K, 16V	1	

Ref. No.	Part No.	Part Name & Description	Pcs	Remarks
C661	ECJ1VB1H103K	C 0.001UF, K, 50V	1	
C662	ECJ2VB1H103K	C 0.01UF, K, 50V	1	
C665	ECJ1XC1H101J	C 100PF, J, 50V	1	
C666	ECJ1VB1H103K	C 0.001UF, K, 50V	1	
C667,68	ECJ1VB1H102K	C 1000PF, K, 50V	2	
C670	ECJ1VB1E104K	C 0.10UF, K, 25V	1	
C671	ECJ2VB1E104K	C 0.1UF, K, 25V	1	
C672	ECJ1VB1E104K	C 0.10UF, K, 25V	1	
C673	F1E2J4730001	C 0.047PF, , 600V	1	
D401	B0FBBT000008	DIODE	1	△
D404	B0EBKT000007	DIODE	1	△
D407,08	B0ACDJ000010	DIODE	2	
D411	B0BB17000009	DIODE	1	
D415	B0JAME000099	DIODE	1	
D416	B0HAMP000067	DIODE	1	
D417	B0EAMR000009	DIODE	1	
D418	B0BC8R100013	ZENER DIODE	1	
D419,20	B0EAMR000009	DIODE	2	
D423	MA188	DIODE	1	
D425	MA188	DIODE	1	
D429	B0EAKT000048	DIODE	1	
D431	B0JCDD000002	DIODE	1	
D433	B0BC01400033	ZENER DIODE	1	
D435	B0EAKT000048	DIODE	1	
D436	B0AACK000004	DIODE	1	
D436	MA165TA5	DIODE	1	
D438	B0BC02000014	ZENER DIODE	1	
D439	B0EAKT000048	DIODE	1	
D441	B0HAMM000122	DIODE	1	
D444	B0HAMM000122	DIODE	1	
D445	MTZJ10B	ZENER DIODE	1	
D501	B0EAMR000010	DIODE	1	
D503	B0AACK000004	DIODE	1	
D503	MA165TA5	DIODE	1	
D504	B0AACK000004	DIODE	1	
D504	MA165TA5	DIODE	1	
D506	B0ACDJ000010	DIODE	1	
D507,08	B0BC7R400023	ZENER DIODE	2	
D509	B0JANG000018	DIODE	1	
D511	B0JAML000011	DIODE	1	
D512	B0ACDJ000010	DIODE	1	
D516-18	B0BA03300004	ZENER DIODE	3	
D520	B0ACDJ000010	DIODE	1	
D521	B0JAME000099	DIODE	1	
D522,23	B0JCDD000002	DIODE	2	
D524	B0AACK000004	DIODE	1	
D524	MA165TA5	DIODE	1	
D531	B0HBSN000013	DIODE	1	
D535	MA188	DIODE	1	
D536	B0JBSG000026	DIODE	1	
D538	B0BC5R100039	ZENER DIODE	1	
D539,40	B0HARR000019	DIODE	2	
D543	B0BC01400033	ZENER DIODE	1	
D544,45	B0BA02100001	ZENER DIODE	2	
D546	B0BA02800001	ZENER DIODE	1	
D549	B0BC02500008	ZENER DIODE	1	
D569,70	B0BA05100010	ZENER DIODE	2	
D579	B0AACK000004	DIODE	1	
D582	MAZ705600F	ZENER DIODE	1	
D584	MAZ706200F	ZENER DIODE	1	
D586	B0HAMP000067	DIODE	1	
D598	B0BC5R100039	ZENER DIODE	1	
D599	B0JCND000009	DIODE	1	
D600	B0BC7R400023	ZENER DIODE	1	
D601	B0BC5R100039	ZENER DIODE	1	
D602	B0BC8R100013	ZENER DIODE	1	
D603	B0BA01900005	ZENER DIODE	1	
D701,02	B0BC5R100039	ZENER DIODE	2	
D703	B0EAKT000048	DIODE	1	

Ref. No.	Part No.	Part Name & Description	Pcs	Remarks
F403	K5G631B00007	FUSE	1	△
IC401	CNC1S171R	IC	1	△
IC403	CNC1S171R	IC	1	△
IC406	C0DBZZ00082	IC	1	
IC408	B3PBA0000459	IC	1	△
IC409	MIP3E30MPSCF	IC	1	△
IC411	C0DAEMZ00001	IC	1	
IC412	CNC1S171R	IC	1	△
IC501	C2ABDB000114	IC	1	
IC502	C0EBH0000210	IC	1	
IC504	C0DAEMZ00001	IC	1	
IC505	B3PBA0000459	IC	1	△
IC506	C0DAEMZ00001	IC	1	
IC507	B3PBA0000459	IC	1	△
IC508	C0DAEMZ00001	IC	1	
IC509	C0BBAA000039	IC	1	
IC510	C0DBAZG00034	IC	1	
IC511-13	C0DAEMZ00001	IC	3	
IC520	C9ZB00000561	IC	1	
L403	EXCELSA35	BEAD CHOKE	1	
L404,05	G0B123K00004	CHOKE COIL	2	△
L406	J0JCC0000004	CHIP INDUCTOR	1	
L410	G0B353D00002	CHOKE COIL	1	△
L511	G0A470ZA0035	CHOKE COIL	1	
L512	G0C4R7JA0021	PEAKING COIL	1	
L514	G0A100GA0013	CHOKE COIL	1	
L515	J0JKB0000037	FLAT CORE	1	
L518	J0JCC0000004	CHIP INDUCTOR	1	
P2	K1KA02A00626	2P CONNECTOR	1	
P6	K1KA12AA0191	12P CONNECTOR	1	
P7	K1KA11AA0191	11P CONNECTOR	1	
P9	K1KA03A00537	3P CONNECTOR	1	
P11	K1KA02A00626	2P CONNECTOR	1	
P12	K1KA08A00514	8P CONNECTOR	1	
P25	K1KA13AA0194	13P CONNECTOR	1	
PMM1	TMME047	CLAMPER	1	
PMM2,M3	TMM7464-2	CLAMPER	2	
PMM5	TMM7464-2	CLAMPER	1	
PMM6-M8	TMME260	CLAMPER	3	
PR401	K5Y502BA0001	FUSE	1	△
PR402	ERBSE0R50U	FUSE	1	△
PR501	ERBSE0R50U	FUSE	1	△
PR505	ERBSE5R00U	FUSE	1	△
PR509	ERBSE0R50U	FUSE	1	△
PR601	K5G312B00012	FUSE	1	△
Q401	B1CHND000004	TRANSISTOR	1	
Q402	B1CBGD000001	FET	1	
Q404	B1BCCF000022	TRANSISTOR	1	
Q406	B1DEKQ000003	TRANSISTOR	1	△
Q407	B1HFCFA00021	TRANSISTOR	1	
Q408,09	B1DHCD000034	TRANSISTOR	2	
Q410	2SD1819ARL	TRANSISTOR	1	
Q411	B1HFCFA00021	TRANSISTOR	1	
Q412,13	B1DEGQ000070	TRANSISTOR	2	△
Q420	2SD1819ARL	TRANSISTOR	1	
Q422	B1CBGD000001	FET	1	
Q501,02	2SD1820A0L	TRANSISTOR	2	
Q507	B1DAGQ000013	TRANSISTOR	1	
Q508	B1HBCFA00033	TRANSISTOR	1	
Q509	B1HDCEA00001	TRANSISTOR	1	
Q510	B1DFDD000019	TRANSISTOR	1	
Q517	B1HBCFA00033	TRANSISTOR	1	
Q520	B1HBCFA00033	TRANSISTOR	1	
Q521	B1CBGD000001	FET	1	
Q524	B1CFGF000008	TRANSISTOR	1	
Q525	B1CBGD000001	FET	1	
Q527	B1CERM000012	FET	1	

Ref. No.	Part No.	Part Name & Description	Pcs	Remarks
Q530	B1ADCF000111	TRANSISTOR	1	
Q535	2SD1819ARL	TRANSISTOR	1	
Q537	B1DFDD000019	TRANSISTOR	1	
Q538	B1CBGD000001	FET	1	
Q540	B1DFDD000019	TRANSISTOR	1	
Q541	B1CBGD000001	FET	1	
Q553	2SD1819ARL	TRANSISTOR	1	
Q554	B1CHND000004	TRANSISTOR	1	
Q555,56	B1CFRD000018	FET	2	
Q563	2SD1819ARL	TRANSISTOR	1	
Q564,65	B1ADCF000111	TRANSISTOR	2	
Q566	2SD1819ARL	TRANSISTOR	1	
Q569	B1CBGD000001	FET	1	
R401	ERJ6GEYG103	M 10KOHM,J,1/10W	1	
R402	ERJ6GEYG821	M 820 OHM,J,1/10W	1	
R403	ERJ6GEYG105	M 1MOHM,J,1/10W	1	
R404	ERJ6GEYG153	M 15KOHM,J,1/10W	1	
R405	D0B1825JA033	M1.22MOHM,J,0.05 W	1	△
R406	ERX12SJ4R7	M 4.7 OHM,J,1/2W	1	
R407	D1AB2203A023	CHIP RESISTOR	1	
R408	ERJ6GEYF472	M 4.7KOHM,F,1/10W	1	
R409	ERJ6GEYG102	M 1KOHM,J,1/10W	1	
R410	D1AB2203A023	CHIP RESISTOR	1	
R411	ERF5TJ100	W 10 OHM, J, 5W	1	△
R414	ERJ8GEYJ153	M 15KOHM, J,1/8W	1	
R415	D1AB2203A023	CHIP RESISTOR	1	
R417	D1AB4303A023	CHIP RESISTOR	1	
R418	ERJ6GEYJ6R8V	M 6.8 OHM,J,1/10W	1	
R419	ERJ6GEYG104	M 100KOHM,J,1/10W	1	
R421	ERJ6GEYF333	M 33KOHM,J,1/10W	1	
R422	ERJ6GEYF472	M 4.7KOHM,F,1/10W	1	
R423	ERJ6GEYG221	M 220 OHM,J,1/10W	1	
R424	ERJ6GEYJ223	M 22KOHM,J,1/10W	1	
R425	ERJ6ENF1802	M 18KOHM,1/10W	1	
R426	ERJ6GEYG103	M 10KOHM,J,1/10W	1	
R428	ERJ6GEYG103	M 10KOHM,J,1/10W	1	
R429	ERJ6GEYJ4R7	M 4.7 OHM,J,1/10W	1	
R430	D1AB4303A023	CHIP RESISTOR	1	
R431	ERJ6GEYG103	M 10KOHM,J,1/10W	1	
R432	D1AB4303A023	CHIP RESISTOR	1	
R433	ERJ6RBD123V	M 12KOHM, 1/10W	1	
R436	ERJ8GEYJ153	M 15KOHM, J,1/8W	1	
R437	ERJ6GEYG183	M 18KOHM,J,1/10W	1	
R438	ERJ6GEYG331	M 330 OHM,G,1/10W	1	
R439	ERG12SJ120	M 12 OHM, J,1/2W	1	
R440	ERJ8GEYJ474	M 470KOHM,J,1/8W	1	
R441,42	D1AB6803A023	CHIP RESISTOR	2	
R443	EVMAASA00B23	CONTROL 2KOHMB	1	
R444	ERJ6GEYF123	M 12KOHM,J,1/10W	1	
R445	D1AB6803A023	CHIP RESISTOR	1	
R448,49	D0XGR10J0003	M 0.10OHM,J, 5W	2	
R450	ERJ6GEYJ4R7	M 4.7 OHM,J,1/10W	1	
R451	ERJ6GEYF333	M 33KOHM,J,1/10W	1	
R452	ERJ6GEYG103	M 10KOHM,J,1/10W	1	
R454	ERJ6GEYG103	M 10KOHM,J,1/10W	1	
R455	ERJ6GEYF123	M 12KOHM,J,1/10W	1	
R456	ERJ6GEYF333	M 33KOHM,J,1/10W	1	
R458	ERJ6GEYF472	M 4.7KOHM,F,1/10W	1	
R460	ERDS2TC0	C 0 OHM, 1/4W	1	
R461	ERJ6GEYG103	M 10KOHM,J,1/10W	1	
R463	ERJ6GEYF333	M 33KOHM,J,1/10W	1	
R464	ERJ6ENF3302	M 33KOHM, 1/10W	1	

Ref. No.	Part No.	Part Name & Description	Pcs	Remarks
R467	ERJ6GEYG102	M 1KOHM,J,1/10W	1	
R468,69	ERX12SJ1R0	M 0.1 OHM,J,1/2W	2	
R471	ERJ8GEYJ332	M 3.3KOHM,J,1/8W	1	
R472-74	D1AB5603A023	CHIP RESISTOR	3	
R476,77	ERJ14YJ181	M 181 OHM,J,1/4W	2	
R478	ERJ8GEYJ220	M 22 OHM, J,1/8W	1	
R482	ERJ8GEYJ220	M 22 OHM, J,1/8W	1	
R483	DOBFB334JA030	CHIP RESISTOR	1	△
R484	ERJ6GEYF473	M 47KOHM,J,1/10W	1	
R485	ERJ6GEYF472	M 4.7KOHM,F,1/10W	1	
R488	ERJ6GEYG104	M 100KOHM,J,1/10W	1	
R490	ERJ6GEYG103	M 10KOHM,J,1/10W	1	
R491	ERJ6GEYG821	M 820 OHM,J,1/10W	1	
R493	ERG12SJ120	M 12 OHM, J,1/2W	1	
R498	ERG3SJ101	M 100 OHM, J, 3W	1	
R500	ERJ6GEYJ224	M 220KOHM,J,1/10W	1	
R501	ERJ6GEYG154	M 150KOHM,J,1/10W	1	
R502,03	ERJ6GEYJ224	M 220KOHM,J,1/10W	2	
R505	ERJ8GEYJ330	M 33 OHM, J,1/8W	1	
R507	ERJ6GEYG221	M 220 OHM,J,1/10W	1	
R508	ERJ6GEYG182	M 1.8KOHM,J,1/10W	1	
R510	ERJ8GEYOR00	M 0 OHM, 1/8W	1	
R512	ERJ6GEYG823	M 82KOHM,J,1/10W	1	
R513	ERJ6GEYG332	M 3.3KOHM,J,1/10W	1	
R514	ERJ6GEYG104	M 100KOHM,J,1/10W	1	
R518	ERJ6GEYG102	M 1KOHM,J,1/10W	1	
R519	ERJ6GEYG104	M 100KOHM,J,1/10W	1	
R520	ERJ6GEYJ101V	M 100 OHM,J,1/10W	1	
R523	ERJ6GEYF473	M 47KOHM,J,1/10W	1	
R524	ERJ6GEYG102	M 1KOHM,J,1/10W	1	
R526,27	ERJ6ENF1803V	M 180KOHM, 1/10W	2	
R528	ERJ6GEYJ4R7	M 4.7 OHM,J,1/10W	1	
R529	ERJ6GEYJ101V	M 100 OHM,J,1/10W	1	
R530,31	ERJ6RBD333	M 33KOHM,J,1/10W	2	
R532	ERJ6GEYG102	M 1KOHM,J,1/10W	1	
R533	ERJ6ENF1803V	M 180KOHM, 1/10W	1	
R534	ERJ6ENF8201	M 8.2KOHM, 1/10W	1	
R537	ERJ6ENF1003	M 100KOHM, 1/10W	1	
R538	ERJ6GEYG104	M 100KOHM,J,1/10W	1	
R539	ERJ6GEYG103	M 10KOHM,J,1/10W	1	
R540,41	ERJ6GEYG105	M 1MOHM,J,1/10W	2	
R542	ER0S2CKF2202	M 22KOHM, F,1/4W	1	
R543	ERJ6ENF3902	M 39KOHM, 1/10W	1	
R545	ERJ6GEYG102	M 1KOHM,J,1/10W	1	
R546	ERJ6GEYG104	M 100KOHM,J,1/10W	1	
R547	ERJ6GEYJ101V	M 100 OHM,J,1/10W	1	
R550	ERJ6GEYG102	M 1KOHM,J,1/10W	1	
R551	ERJ6GEYF151	M 150 OHM,F,1/10W	1	
R553	ERJ6GEYJ101V	M 100 OHM,J,1/10W	1	
R555	ERJ6GEYG102	M 1KOHM,J,1/10W	1	
R556	ERJ6GEYG105	M 1MOHM,J,1/10W	1	
R557,58	ERJ6GEYJ101V	M 100 OHM,J,1/10W	2	
R559	ERJ6ENF8201	M 8.2KOHM, 1/10W	1	
R560	ERJ6ENF9101	M 9.1KOHM, 1/10W	1	

Ref. No.	Part No.	Part Name & Description	Pcs	Remarks
R561	ERJ6ENF5101	M 5.1KOHM, 1/10W	1	
R562	ERJ6ENF4701	M 4.7KOHM, 1/10W	1	
R563	ERJ6GEYJ2R2	M 2.2 OHM, J, 1/10W	1	
R564	ERJ6GEYG104	M 100KOHM, J, 1/10W	1	
R565, 66	ERJ6GEYG105	M 1MOHM, J, 1/10W	2	
R567, 68	ERJ8GEYJ105	M 1MOHM, J, 1/8W	2	
R569	ERJ6ENF3302	M 33KOHM, 1/10W	1	
R570	ERJ6GEYG104	M 100KOHM, J, 1/10W	1	
R571	ERJ6GEYG105	M 1MOHM, J, 1/10W	1	
R572, 73	ERJ6GEYG102	M 1KOHM, J, 1/10W	2	
R574	ERJ6GEYG331	M 330 OHM, G, 1/10W	1	
R576	ERJ6RBD123V	M 12KOHM, 1/10W	1	
R579	ERJ6GEYG103	M 10KOHM, J, 1/10W	1	
R581	ERJ6GEYF473	M 47KOHM, J, 1/10W	1	
R582	ERJ6ENF1002	M 10KOHM, 1/10W	1	
R584	ERJ6GEYG103	M 10KOHM, J, 1/10W	1	
R585	ERJ6GEYF333	M 33KOHM, J, 1/10W	1	
R586	ERJ6GEYJ223	M 22KOHM, J, 1/10W	1	
R587	ERJ8RSJR16V	M 16 OHM, 1/8W	1	
R592	ERJ6GEYJ223	M 22KOHM, J, 1/10W	1	
R593	ERJ6GEYG104	M 100KOHM, J, 1/10W	1	
R594	ERJ6GEYF151	M 150 OHM, F, 1/10W	1	
R595	ERJ6GEYG221	M 220 OHM, J, 1/10W	1	
R596	ERJ6GEYJ101V	M 100 OHM, J, 1/10W	1	
R597, 98	ERJ6ENF3302	M 33KOHM, 1/10W	2	
R599, 00	ERJ8ENF3900	M 390 OHM, 1/8W	2	
R601	ERJ6GEYJ471	M 470 OHM, J, 1/10W	1	
R603	ERJ6GEYJ101V	M 100 OHM, J, 1/10W	1	
R604	ERJ6RBD303	M 30KOHM, J, 1/10W	1	
R605	ERJ6GEYG103	M 10KOHM, J, 1/10W	1	
R606	ERJ6ENF1201	M 1.2KOHM, 1/10W	1	
R607	ERJ6ENF2202	M 2.2KOHM, 1/10W	1	
R608	ERJ8GEYJ332	M 3.3KOHM, J, 1/8W	1	
R609	ERJ6GEYG102	M 1KOHM, J, 1/10W	1	
R610	ERJ6GEYG222	M 2.2KOHM, J, 1/10W	1	
R611	ERDS2FJ101	C 100 OHM, J, 1/4W	1	
R612	ERJ6GEYG222	M 2.2KOHM, J, 1/10W	1	
R613	ERJ6ENF2402	M 24KOHM, 1/10W	1	
R614	ERJ6ENF3301	M 3.3KOHM, 1/10W	1	
R616, 17	ERJ6GEYJ223	M 22KOHM, J, 1/10W	2	
R618	ERJ6GEYG104	M 100KOHM, J, 1/10W	1	
R619	ERJ8RQFR39	M 0.39OHM, J, 1/8W	1	
R620	ERJ6GEYG102	M 1KOHM, J, 1/10W	1	
R622	ERJ6ENF1603	M 160KOHM, 1/10W	1	
R624	ERX2SJR22P	M 0.22 OHM, J, 2W	1	
R625	ERJ6GEYF472	M 4.7KOHM, F, 1/10W	1	
R626	ERJ6ENF1603	M 160KOHM, 1/10W	1	
R627	ERJ6GEYJ752	M 7.5KOHM, J, 1/10W	1	
R628	EVMAASA00B33	CONTROL 3KOHMB	1	
R629	ERJ6GEYG105	M 1MOHM, J, 1/10W	1	
R630	ERJ6GEYF472	M 4.7KOHM, F, 1/10W	1	
R631	ERJ8GEYJ333	M 33KOHM, J, 1/8W	1	
R632	ERJ6GEYG221	M 220 OHM, J, 1/10W	1	
R633	ERJ6GEYG105	M 1MOHM, J, 1/10W	1	
R634	ERJ8RQFR39	M 0.39OHM, J, 1/8W	1	
R635	ERJ6GEYG103	M 10KOHM, J, 1/10W	1	

Ref. No.	Part No.	Part Name & Description	Pcs	Remarks
R636	ERJ6ENF1603	M 160KOHM, 1/10W	1	
R637	ERJ8RQFR39	M 0.39OHM, J, 1/8W	1	
R639, 40	ERJ8RQFR39	M 0.39OHM, J, 1/8W	2	
R641	ERJ6GEYF473	M 47KOHM, J, 1/10W	1	
R642-44	ERJ8RQFR39	M 0.39OHM, J, 1/8W	3	
R645	ERJ6GEYJ101V	M 100 OHM, J, 1/10W	1	
R646, 47	ERJ14YJ330	M 33 OHM, J, 1/4W	2	
R648	ERJ6ENF1603	M 160KOHM, 1/10W	1	
R649	ERJ6GEYJ223	M 22KOHM, J, 1/10W	1	
R650	ERJ6GEYG103	M 10KOHM, J, 1/10W	1	
R651	ERJ6ENF1002	M 10KOHM, 1/10W	1	
R652	ERJ6GEYF123	M 12KOHM, J, 1/10W	1	
R653	ERJ6ENF3302	M 33KOHM, 1/10W	1	
R654	ERJ6GEYJ223	M 22KOHM, J, 1/10W	1	
R655	ERJ8RSJR16V	M 16 OHM, 1/8W	1	
R656	ERJ6ENF1803V	M 180KOHM, 1/10W	1	
R657	ERJ6GEYF561	M 560 OHM, F, 1/10W	1	
R658	ERJ6GEYG105	M 1MOHM, J, 1/10W	1	
R659	ERJ6RBD303	M 30KOHM, J, 1/10W	1	
R660	ERJ6RBD123V	M 12KOHM, 1/10W	1	
R661	EVMAASA00B53	CONTROL 5KOHMB	1	
R662	ERJ6ENF1503	M 150KOHM, 1/10W	1	
R664	ERJ6ENF9101	M 9.1KOHM, 1/10W	1	
R665	EVMAASA00B23	CONTROL 2KOHMB	1	
R669	ERJ6ENF1503	M 150KOHM, 1/10W	1	
R670	ERJ6GEYG102	M 1KOHM, J, 1/10W	1	
R671	ERJ6RBD751	M 750 OHM, J, 1/10W	1	
R672, 73	ERJ6GEYG102	M 1KOHM, J, 1/10W	2	
R674	ERJ8GEYJ333	M 33KOHM, J, 1/8W	1	
R675	ERJ6ENF2202	M 2.2KOHM, 1/10W	1	
R676	ERJ8GEYJ333	M 33KOHM, J, 1/8W	1	
R677	ERJ6GEYJ474	M 470KOHM, J, 1/10W	1	
R678-80	ERJ8RSJR16V	M 16 OHM, 1/8W	3	
R682	ERJ6ENF2002	M 20KOHM, 1/10W	1	
R683	ERJ14YJ330	M 33 OHM, J, 1/4W	1	
R684, 85	ERJ6GEYG102	M 1KOHM, J, 1/10W	2	
R686	ERJ6GEYG103	M 10KOHM, J, 1/10W	1	
R687	ERJ6GEYG104	M 100KOHM, J, 1/10W	1	
R688	ERJ6GEYG102	M 1KOHM, J, 1/10W	1	
R689	ERJ8GEYJ472	M 4.7KOHM, J, 1/8W	1	
R690	ERJ6GEYJ4R7	M 4.7 OHM, J, 1/10W	1	
R691	ERJ6GEYG105	M 1MOHM, J, 1/10W	1	
R693	ERJ6GEYJ100V	M 10 OHM, J, 1/10W	1	
R695	ERJ6RBD123V	M 12KOHM, 1/10W	1	
R696	ERJ6GEYJ100V	M 10 OHM, J, 1/10W	1	
R697	ERJ6GEYJ4R7	M 4.7 OHM, J, 1/10W	1	
R698	ERJ8RSJR16V	M 16 OHM, 1/8W	1	
R699	ERJ8GEYJ105	M 1MOHM, J, 1/8W	1	
R700, 01	ERJ6ENF1503	M 150KOHM, 1/10W	2	
R702	ERJ6ENF1102	M 11KOHM, 1/10W	1	
R707, 08	ERJ6GEYG102	M 1KOHM, J, 1/10W	2	
R709, 10	ERJ6GEYJ101V	M 100 OHM, J, 1/10W	2	
R711, 12	ERJ6GEYG222	M 2.2KOHM, J, 1/10W	2	
R713	ERJ6GEYG152	M 1.5KOHM, J, 1/10W	1	
R714	ERJ6GEYG102	M 1KOHM, J, 1/10W	1	
R715	ERJ6ENF3301	M 3.3KOHM, 1/10W	1	
R716	ERJ6GEY0R00V	M 0 OHM, 1/10W	1	
R717	ERJ6GEYG122	M 1.2KOHM, J, 1/10W	1	
R718	ERJ6GEYG103	M 10KOHM, J, 1/10W	1	
R719	ERJ6GEYG102	M 1KOHM, J, 1/10W	1	

Ref. No.	Part No.	Part Name & Description	Pcs	Remarks
R720	ERJ6GEYG152	M 1.5KOHM, J, 1/10W	1	
R721	ERJ6GEY0R00V	M 0 OHM, 1/10W	1	
R722-24	ERJ6GEYG102	M 1KOHM, J, 1/10W	3	
R726, 27	ERJ6GEYG222	M 2.2KOHM, J, 1/10W	2	
R729	ERJ6GEY0R00V	M 0 OHM, 1/10W	1	
R730-38	ERJ8GEYJ105	M 1MOHM, J, 1/8W	9	
R739	ERJ6ENF1003	M 100KOHM, 1/10W	1	
R740	ERJ6GEYJ243	M 24KOHM, J, 1/10W	1	
R741	ERJ8GEYJ205	M 2MOHM, J, 1/8W	1	
R742	ERJ6GEYG102	M 1KOHM, J, 1/10W	1	
RL401-03	K6B1CGA00055	REALY	3	△
S401, 02	J0LT00000009	SWITCH	2	△
T401	G4D4A0000123	SWITCHING TRANS	1	
T402	G4D1A0000128	SWITCHING TRANS	1	△
T404	ETS42LB11GAD	SWITCHING TRANS	1	△
T410	G4D2A0000283	SWITCHING TRANS	1	△
T601	G4D2A0000284	SWITCHING TRANS	1	
W13	ERJ6GEY0R00V	M 0 OHM, 1/10W	1	
W46	ERJ6GEY0R00V	M 0 OHM, 1/10W	1	
X501	H2B400400021	CRYSTAL	1	
Z1-23	K4ZZ01000206	TERMINAL	3	
ZN401, 02	D4EAD6210001	VARISTOR	2	△
ZN403	ERZVGAD681T2	VARISTOR	1	△
ZN404, 05	ERZVA7D511	VARISTOR	2	△